



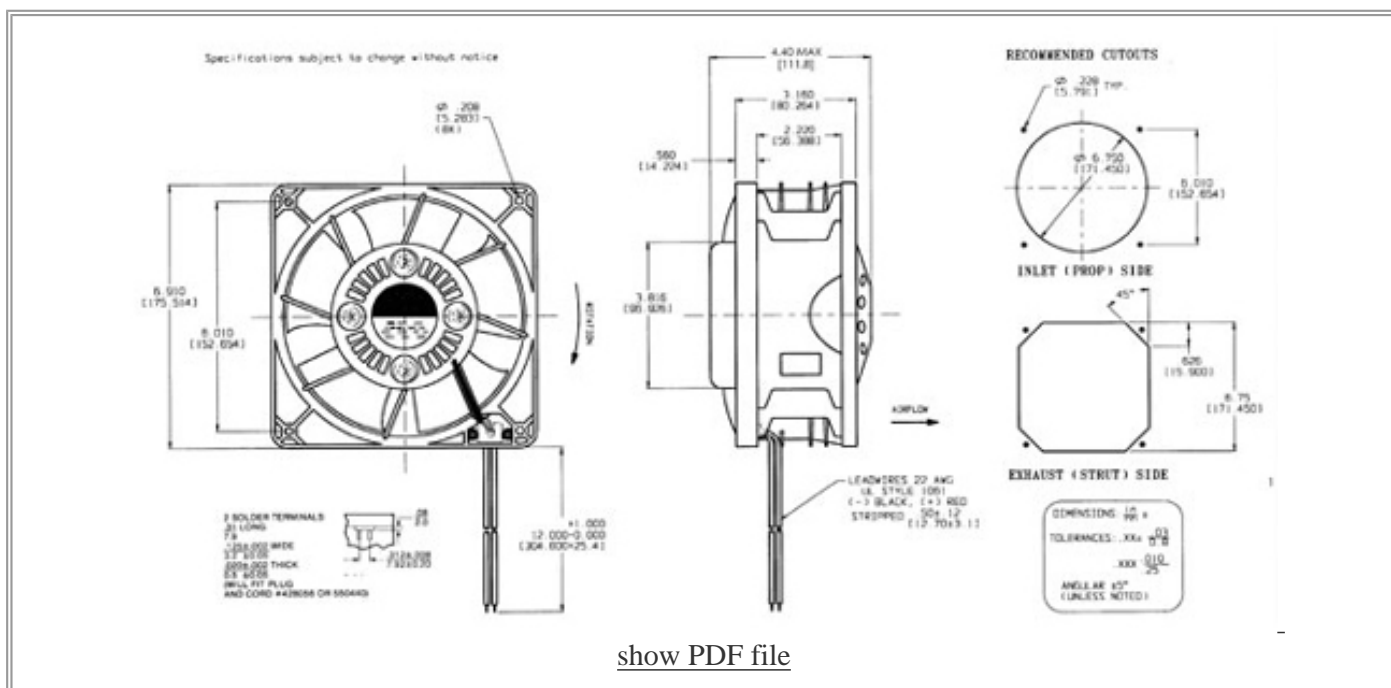
Tarzan AC (AC Fan)

COMAIR ROTRON PART NUMBER: **020169**
 COMAIR ROTRON MODEL NUMBER: **TNE2C**
RoHS Certificate of Compliant



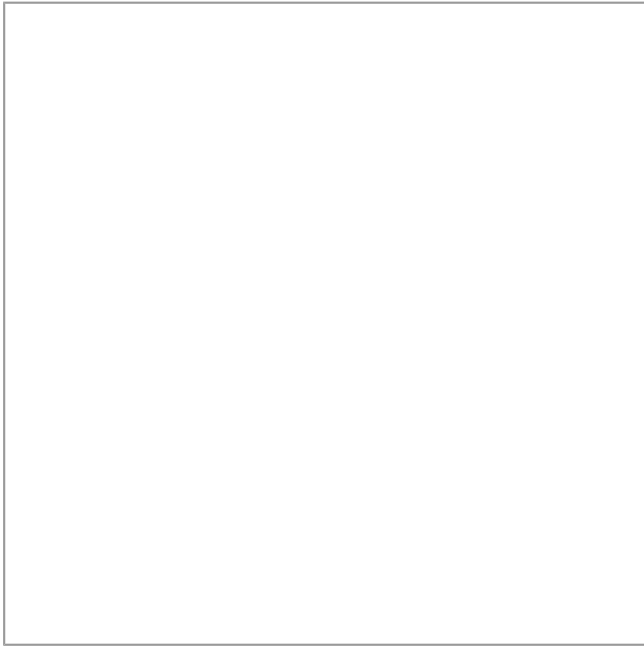
MOTOR	
Rated Voltage:	115
Operating Voltage Range:	
Running Current: 50Hz 60Hz (amps)	0.53 0
Locked Rotor Current: (amps)	1.35
Rated Power: 50Hz 60Hz (watts)	56 0
Nominal Speed: 50Hz 60Hz (rpm)	3480 0

MECHANICAL	
Dimensions:	176mm x 112mm (6.91in x 4.40in)
Bearing Type:	Ball
Motor Base:	Plastic
Propeller:	Polycarbonate




[show PDF file](#)

NOTES



PERFORMANCE CHARACTERISTICS	
Air Flow: (CFM)	280/330
Static Pressure:	.600/.785

TERMINATION	
Leadwires:	12" Leadwires

SAFETY	
	

All product names are used under license and are trademarks or registered trademarks of Comair Rotron, Inc.

[New Search](#)