



**Sprite AC - SU2C5 - 028281**  
 (Family) (Model) (Part Number)

### Electrical Specifications

Rated Voltage:	115 VAC
AC Frequency:	60 Hz
Power Supply:	6.0 Watts
Line Current:	0.06 Amps
Locked Rotor Current	0.07 Amps
Nominal Speed:	1900 RPM



### Mechanical Specifications

Dimensions:	3.15in x 1.65in
Weight	18.0 oz
Max Airflow @ 0 in H <sub>2</sub> O	19.0 CFM
Max Pressure @ 0 CFM	0.052 in H <sub>2</sub> O
Noise	27.0 dBA

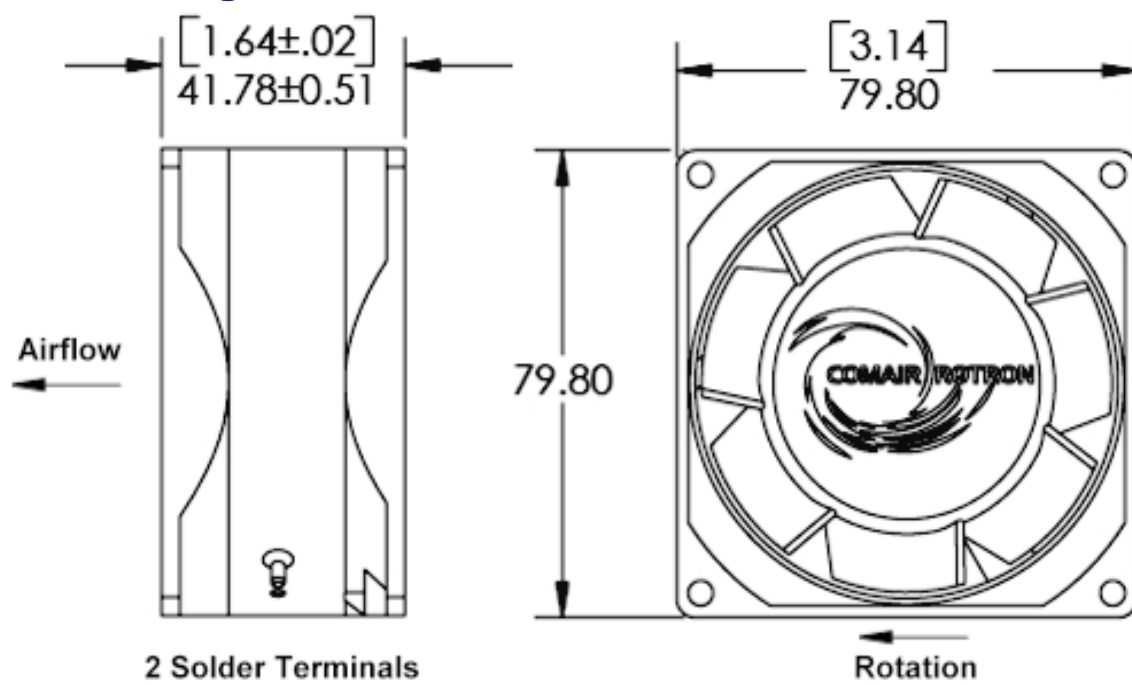


<b>Comair Rotron, Inc.</b> Phone: 858.348.6200 FAX: 858.566.4577 sales@comairrotron.com	<b>ThermaFlo, Inc.</b> Phone: 972.312.8609 FAX: 972.312.8617 info@thermaflo.com	<b>Comair Rotron Europe, Ltd.</b> Phone: +44.1527.520525 FAX: +44.1527.520565 sales europe@comairrotron.com	<b>Comair Rotron Fan Company Ltd.</b> Phone: +86.21.52260581 FAX: +86.21.52260597 salesasia@comairrotron.com
--	--	--	---

Print Date: Saturday, August 18, 2007 at 23:32:47 - AC Fan Datasheet - Web Version 1.0 Rev. A



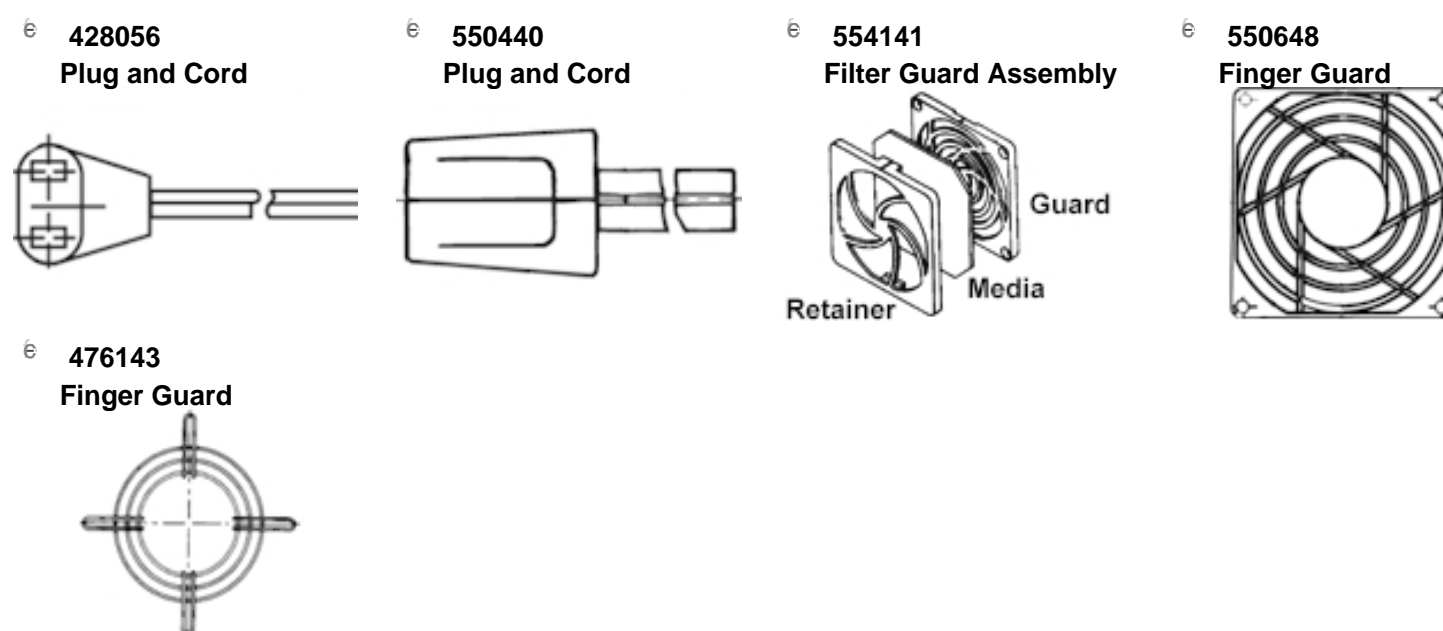
### Mechanical Drawing



### Options

Part Number	Model Number	Bearing Type	Fan Rotation	Termination	In-Stock (Click 'Yes' for current stock)
028270	SU2C1	Sleeve	Normal	Leads, Venturi	Yes
028281	SU2C5	Sleeve	Normal	Terminals, Venturi	Yes
030267	SU2C6	Sleeve	Normal	Single Flange Venturi	No
030270	SU2C7	Sleeve	Reverse	Leads, Venturi	Yes
030395	SU2C9	Sleeve	Reverse	Terminals, Venturi	No

### Accessories (Click on part number for detailed drawing.)



<b>Comair Rotron, Inc.</b> Phone: 858.348.6200 FAX: 858.566.4577 sales@comairrotron.com	<b>ThermaFlo, Inc.</b> Phone: 972.312.8609 FAX: 972.312.8617 info@thermaflo.com	<b>Comair Rotron Europe, Ltd.</b> Phone: +44.1527.520525 FAX: +44.1527.520565 sales europe@comairrotron.com	<b>Comair Rotron Fan Company Ltd.</b> Phone: +86.21.52260581 FAX: +86.21.52260597 salesasia@comairrotron.com
--	--	--	---

Print Date: Saturday, August 18, 2007 at 23:32:47 - AC Fan Datasheet - Web Version 1.0 Rev. A