



Major - JQ24B8 - 031117 - No
 (Family) (Model) (Part #) (In Stock)

Electrical Specifications

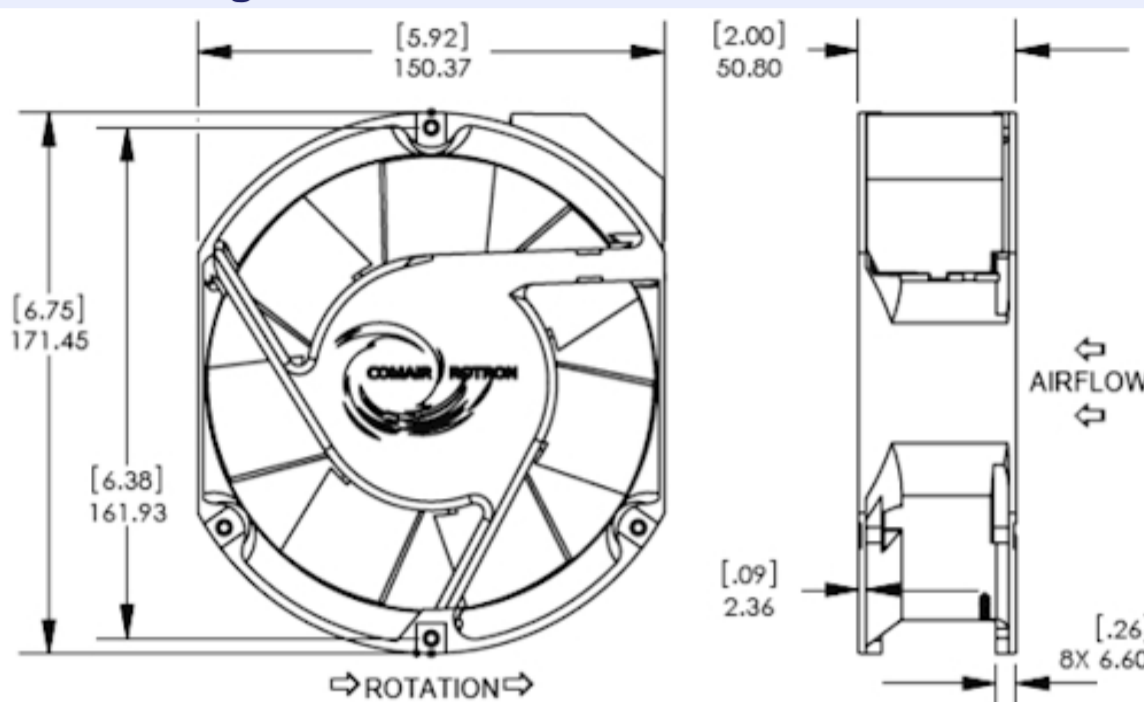
Operating Voltage:	24 Volts
Voltage Range:	12 - 28 Volts
Power Supply:	24.0 Watts
Line Current:	1.00 Amps
Locked Rotor Current	1.55 Amps
Nominal Speed:	3350 RPM

Mechanical Specifications

Dimensions:	6.8 x 5.9 x 2.0 in
Weight	29.6 oz
Max Airflow @ 0 in H ₂ O	235.0 CFM
Max Pressure @ 0 CFM	0.812 in H ₂ O
Noise	54.3 dBA



Mechanical Drawing



Comair Rotron, Inc.
 Phone: 858.348.6200
 FAX: 858.566.4577
 sales@comairrotron.com

ThermaFlo, Inc.
 Phone: 972.312.8609
 FAX: 972.312.8617
 info@thermaflo.com

Comair Rotron Europe, Ltd.
 Phone: +44.1527.520525
 FAX: +44.1527.520565
 saleseurope@comairrotron.com

Comair Rotron Fan Company Ltd.
 Phone: +86.21.52260581
 FAX: +86.21.52260597
 salesasia@comairrotron.com

Print Date: Saturday, August 18, 2007 at 23:46:34 - DC Fan Datasheet - Web Version 1.0 Rev. B



Fan Performance Curve

Fan Configuration Options

Major (Family)	JQ24B8 (Model)	/	031117 (Part #)	No (In Stock)	Terminals (Features)
Fan Speed:	3350 RPM			Fan Bearings:	Ball Bearings
Fan Airflow Direction:	Flow R (CCW Rotation)			Fan Termination:	Terminals
Fan Monitoring Options:	TTL (+5V) Tachometer Output				
Fan Speed Control Option:	No ThermaPro -V Fan Speed Control Options Selected				
Environmental Protection Options:	No Enviroshield Options Selected				

Comair Rotron, Inc.
 Phone: 858.348.6200
 FAX: 858.566.4577
 sales@comairrotron.com

ThermaFlo, Inc.
 Phone: 972.312.8609
 FAX: 972.312.8617
 info@thermaflo.com

Comair Rotron Europe, Ltd.
 Phone: +44.1527.520525
 FAX: +44.1527.520565
 saleseurope@comairrotron.com

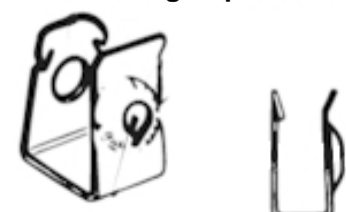
Comair Rotron Fan Company Ltd.
 Phone: +86.21.52260581
 FAX: +86.21.52260597
 salesasia@comairrotron.com

Print Date: Saturday, August 18, 2007 at 23:46:34 - DC Fan Datasheet - Web Version 1.0 Rev. B



Accessories (Click on part number for detailed drawing.)

6 477663
 Mounting Clip



6 550272
 Finger Guard



Comair Rotron, Inc.
 Phone: 858.348.6200
 FAX: 858.566.4577
 sales@comairrotron.com

ThermaFlo, Inc.
 Phone: 972.312.8609
 FAX: 972.312.8617
 info@thermaflo.com

Comair Rotron Europe, Ltd.
 Phone: +44.1527.520525
 FAX: +44.1527.520565
 saleseurope@comairrotron.com

Comair Rotron Fan Company Ltd.
 Phone: +86.21.52260581
 FAX: +86.21.52260597
 salesasia@comairrotron.com

Print Date: Saturday, August 18, 2007 at 23:46:34 - DC Fan Datasheet - Web Version 1.0 Rev. B