

Distributed by:

JAMECO[®]
ELECTRONICS

www.Jameco.com ♦ 1-800-831-4242

The content and copyrights of the attached material are the property of its owner.

A. SCOPE 範疇

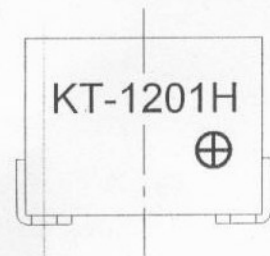
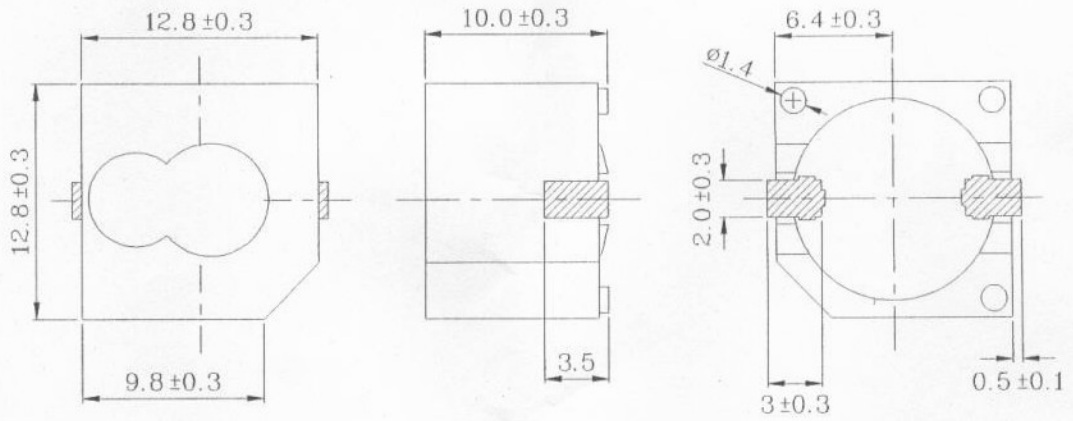
This specification applies magnetic buzzer, **KT-1201H**

此規格書適用於電磁式蜂鳴器, **KT-1201H**

B. SPECIFICATION 規格

No.	Item	Unit	Specification	Condition
1	Rated Voltage 額定電壓	Vo-p	1.5	
2	Operating Volt. 操作電壓	Vo-p	1.0~3.0	
3	Mean Current 平均耗電流	mA	Max.30	Applying rated voltage,2400Hz square wave, 1/2duty 施以額定電壓,2400Hz,方波, 50%負載
4	Coil Resistance 直流阻抗	Ω	15.0 ± 3.0	
5	Coil Impedance 交流阻抗	Ω	40	See Impedance Measurements graph. 請參照交流阻抗量測圖
6	Sound Output 輸出音壓	dBA	Min.85 (Typical 88)	Distance at 10cm(A-weight free air). Applying rated voltage 2400Hz,square wave, 1/2duty 在自由音場 10 公分處,施以額定電壓, 2400Hz, 方波, 50%負載
7	Rated Frequency 額定頻率	Hz	2400 ± 200	
8	Operating Temp. 操作溫度	$^{\circ}\text{C}$	-30 ~ +70	
9	Storage Temp. 儲存溫度	$^{\circ}\text{C}$	-40 ~ +85	
10	Dimension 尺寸	mm	L12.8 x W12.8 x H10.0	See attached drawing. 請參照外觀尺寸圖
11	Weight 重量	gram	2.0	
12	Material 材質		PPS (Gray)	
13	Terminal 端子		SMD type	See attached drawing. 請參照外觀尺寸圖

C. APPEARANCE DRAWING 外觀尺寸圖



Tol: ± 0.5
Unit: mm

D. MEASUREMENT METHOD 測量方式

