



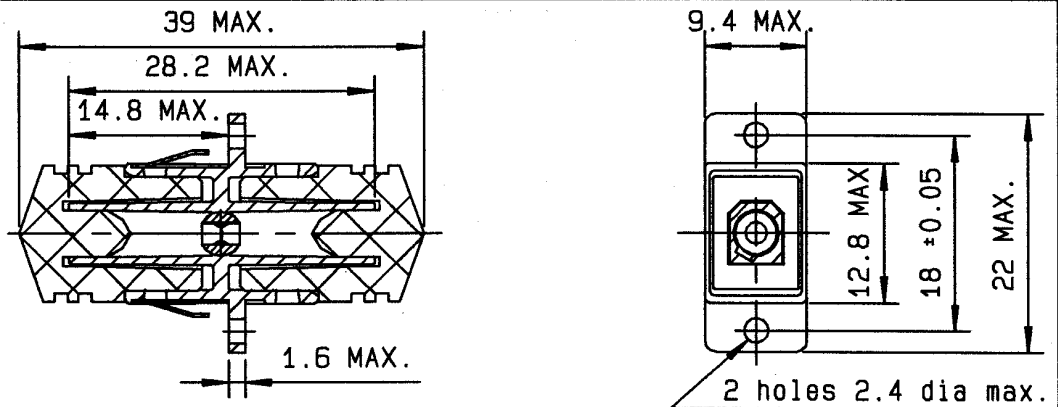
Title ADAPTOR WITH MEMBRANE

Series  
EC

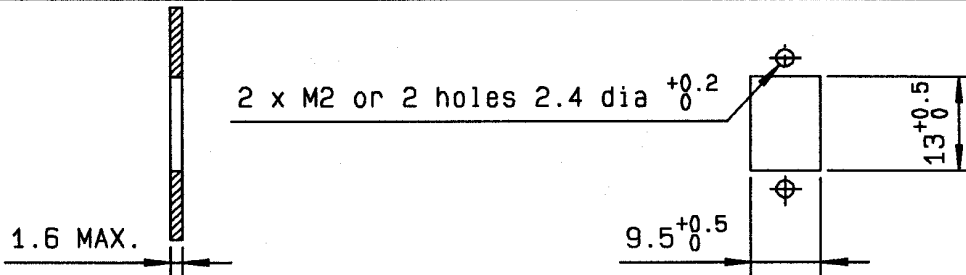
Issue:  
11 27 95

Page  
1/1

Dimensions : mm



**PANEL MOUNT**



**GENERAL**

- TYPE:**
- EUROPEAN NORM: EN 185 210 type CF08
  - Keyed push-pull latching system
  - Sphere/cone alignment
- CLEANING:**
- See the procedure of the maintenance kit F 780 531 000

**CHARACTERISTICS**

(Depending on fibre or cable construction)

- OPTICAL:**
- Insertion loss at 1300 and 1550 nm according with CECC 86000, method 8: 0.15 dB max
  - Return loss of a complete connection  
singlemode > 60 dB  
multimode > 50 dB
  - Return loss only with a EC singlemode plug connected to an adaptor > 50 dB
- MECHANICAL:**
- Mechanical endurance = 1000 mating cycles
  - Latching mechanism tensile resistance > 100 N
  - Clip tensile resistance > 100 N
- CLIMATIC:**
- Service temperature limit = -25°C to +70°C
  - Storage temperature limit = -40°C to +85°C

**CREATION**

N° : NEANT  
Name : BOUYER  
Date : 13 06 91  
Verif.: E.G.d'A

11 27 95	Modification F95093	E.G.d'A	<i>E.G.d'A</i>	
13 07 95	Document refait CAO	E.G.d'A	<i>E.G.d'A</i>	
Issue	Revisions	Name	Approved	