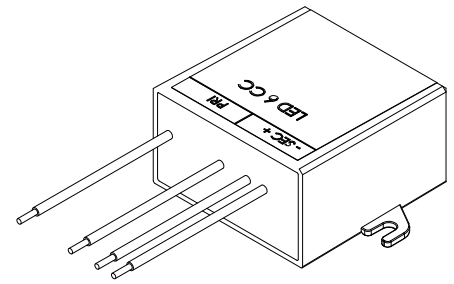


LED DRIVER DC CC, POTTED
LED 6 DC 350mA
LED 6 DC 500mA
LED 6 DC 700mA

LED

Features

1. Designed for IP67
2. Reinforced insulation from input to output
3. Small form factor
4. Protections: Electronic internal Self-Resettable Short Circuit, Input Voltage Surge, Thermal
5. AC Input
6. Fast Start-Up Time
7. 120-277V Input
8. High-efficiency, high Vout range (up to 2-20V)



Applications

1. LED in- and outdoor lighting
2. Street lighting
3. Architectural lighting
4. Orientation lighting
5. Ambience lighting
6. Task, Table and Floor lighting

This device complies with part 15 of the FCC Rules. Operation is subject to the following two conditions: (1) This device may not cause harmful interference, and (2) this device must accept any interference received, including interference that may cause undesired operation. Class B.

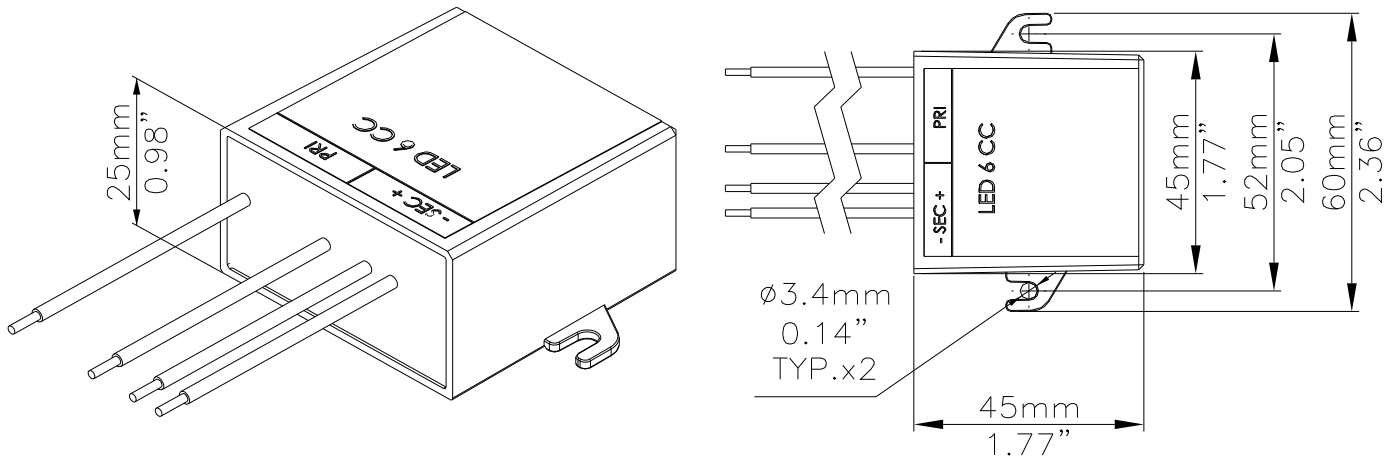


Specifications

| VERSION | | 6W 350mA | | | 6W 500mA | | 6W 700mA | |
|-------------|--|---|----------------|-----------------|----------------|-----------------|----------------|----------------|
| SKU No. | | 901006351 | 901006351PS | 901006351U | 901006501 | 901006501U | 901006701 | 901006701U |
| INPUT | VOLTAGE RANGE (V) | 120-240 | | 120-277 | 120-240 | 120-277 | 120-240 | 120-277 |
| | FREQUENCY RANGE (Hz) | 50/60 | | | | | | |
| | POWER FACTOR | 0.5 | | | | | | |
| | EFFICIENCY (Typ.)% | 70 | | | | | | |
| | AC CURRENT (A) | 0.12 - 0.07 | | | | | | |
| | INRUSH CURRENT LIMITER | 3.5A / 0.5mS for line 220-240V | | | | | | |
| OUTPUT | VOLTAGE (V) Note 3 | 2-20 | | | 2-14 | | 2-11 | |
| | CURRENT (A) Note 3 | 0.35 | | | 0.5 | | 0.7 | |
| | RATED POWER (W) | 6 | | | | | | |
| DIMMABLE | YES/NO | NO | | | | | | |
| PROTECTION | INPUT VOLTAGE SURGE | YES | | | | | | |
| | OVER TEMPERATURE | YES | | | | | | |
| | SHORT CIRCUIT PROTECTION | YES | | | | | | |
| | REINFORCED INSULATION | YES | | | | | | |
| ENVIRONMENT | Ta (°C) | -25°C...+50°C | | | | | | |
| | Tc (°C) | 75 | 71 | 75 | 71 | 75 | 71 | 71 |
| | WORKING HUMIDITY | IP67 | OUTDOOR | IP67 | OUTDOOR | IP67 | OUTDOOR | OUTDOOR |
| | STORAGE TEMP. (°C) | -10...+70 | | | | | | |
| STANDARDS | VDE SAFETY | ENEC; EN61347-1; EN61347-2-13; EN62384 (FOR THE EUROPE AND PS VERSION ONLY) | | | | | | |
| | VDE EMC | EN61547; EN61000-3-3; EN61000-3-2; EN55015 (FOR THE EUROPE AND PS VERSION ONLY) | | | | | | |
| | UL | N/A | E322460 | N/A | E322460 | N/A | E322460 | |
| MECHANICAL | PLASTIC CASE | BLACK | WHITE | BLACK | | | | |
| | INPUT WIRES COLOR | BRN/BLU | | BLK/WHT | BRN/BLU | BLK/WHT | BRN/BLU | BLK/WHT |
| | INPUT WIRES SIZE | 0.75mm² DBL INS | 18 AWG DBL INS | 0.75mm² DBL INS | 18 AWG DBL INS | 0.75mm² DBL INS | 18 AWG DBL INS | 18 AWG DBL INS |
| | OUTPUT WIRE COLOR | RED/BLK | | RED/BLUE | RED/BLK | RED/BLUE | RED/BLK | RED/BLUE |
| | OUTPUT WIRE SIZE | 18 AWG | | | | | | |
| | WEIGHT | 0.0945kg | | | | | | |
| NOTE | <ol style="list-style-type: none"> 1. All parameters are measured at rated input, rated load and 25°C of ambient temperature. 2. Specifications may vary from time to time without notice. 3. Tolerance: includes set up tolerance, line regulation and load regulation. 4. Subject to standard warranty, terms and conditions as published from time to time. | | | | | | | |

LED 6 DC 350mA
 LED 6 DC 500mA
 LED 6 DC 700mA

Mechanical Drawing



Mounting Instructions

LED 6 DC 350mA
 From 1 to 4 leds in series.

LED 6 DC 500mA
 From 1 to 3 leds in series.

LED 6 DC 700mA
 From 1 to 2 leds in series.

Safety Instructions

1. Always disconnect power before installation and/or removal of the unit.
2. Install in accordance with national and local electrical codes.