

RL78/G14

R01DS0053EJ0100

RENESAS MCU

Rev. 1.00

Feb 21, 2012

True Low Power Platform (as low as 66  $\mu$ A/MHz, and 0.60  $\mu$ A for RTC + LVD), 1.6 V to 5.5 V operation, 16 to 256 Kbyte Flash, 44 DMIPS at 32 MHz, for General Purpose Applications

## 1. OUTLINE

### 1.1 Features

#### Ultra-Low Power Technology

- 1.6 V to 5.5 V operation from a single supply
- Stop (RAM retained): 0.24  $\mu$ A, (LVD enabled): 0.32  $\mu$ A
- Halt (RTC + LVD): 0.60  $\mu$ A
- Snooze: T.B.D
- Operating: 66  $\mu$ A/MHz

#### 16-bit RL78 CPU Core

- Delivers 44 DMIPS at maximum operating frequency of 32 MHz
- Instruction execution: 86% of instructions can be executed in 1 to 2 clock cycles
- CISC architecture (Harvard) with 3-stage pipeline
- Multiply signed & unsigned: 16 x 16 to 32-bit result in 1 clock cycle
- MAC: 16 x 16 to 32-bit result in 2 clock cycles
- 16-bit barrel shifter for shift & rotate in 1 clock cycle
- 1-wire on-chip debug function

#### Code Flash Memory

- Density: 16 KB to 256 KB
- Block size: 1KB
- On-chip single voltage flash memory with protection from block erase/writing
- Self-programming with secure boot swap function and flash shield window function

#### Data Flash Memory

- Data flash with background operation
- Data flash size: 4 KB to 8 KB size options
- Erase cycles: 1 Million (typ.)
- Erase/programming voltage: 1.8 V to 5.5 V

#### RAM

- 2.5 KB to 24 KB size options
- Supports operands or instructions
- Back-up retention in all modes

#### High-speed On-chip Oscillator

- 32 MHz with +/- 1% accuracy over voltage (1.8 V to 5.5 V) and temperature (-20°C to 85°C)
- Pre-configured settings: 64 MHz, 48 MHz, 32 MHz, 24 MHz, 16 MHz, 12 MHz, 8 MHz, 4 MHz & 1 MHz
- 64 MHz, 48 MHz for timer RD

#### Reset and Supply Management

- Power-on reset (POR) monitor/generator
- Low voltage detection (LVD) with 14 setting options (Interrupt and/or reset function)

#### General Purpose I/O

- 5 V tolerant, high-current (up to 20 mA per pin)
- Open-drain, on-chip pull-up resistor

#### Data Transfer Controller (DTC)

- 39 sources & 24 different settings
- Transfer data: 8 bits/16 bits
- Normal mode and repeat mode

#### Event Link Controller (ELC)

- Reduce interrupt intervention
- Link 26 events to specified peripheral function

#### Multiple Communication Interfaces

- Up to 8 x I<sup>2</sup>C master
- Up to 2 x I<sup>2</sup>C multi-master
- Up to 8 x CSI/SPI (7-, 8-bit)
- Up to 4 x UART (7-, 8-, 9-bit)
- Up to 1 x LIN

#### Extended-Function Timers

- Multi-function 16-bit timers: Up to 8 channels
- Motor control timer (3 ph - complementary mode)
- Timer with encoder function: 16-bit, 1 channel
- Real-time clock (RTC): 1 channel (full calendar and alarm function with watch correction function)
- Interval timer: 12-bit, 1 channel
- 15 kHz watchdog timer: 1 channel (window function)

#### Rich Analog

- ADC: Up to 20 channels, 10-bit resolution, 2.1  $\mu$ s conversion time
- Supports 1.6 V
- 2 x window comparators, with ELC connection
- D/A converter: 2 channels, 8-bit resolution
- Internal voltage reference (1.45 V)
- On-chip temperature sensor

#### Safety Features (IEC or UL 60730 compliance)

- Flash memory CRC calculation
- RAM parity error check
- RAM write protection
- SFR write protection
- Illegal memory access detection
- Clock stop/frequency detection
- ADC self-test
- I/O port read back function (echo)

#### Operating Ambient Temperature

- Standard: -40°C to + 85°C
- Extended: -40°C to + 105°C <under planning>

#### Package Type and Pin Count

- From 4 mm x 4 mm to 14 mm x 20 mm
- QFP: 32, 44, 48, 52, 64, 80, 100
- QFN: 32, 40, 48
- SSOP: 30
- LGA: 36, 64

## ○ ROM, RAM capacities

| Flash ROM | Data flash | RAM           | RL78/G14 |          |          |          |
|-----------|------------|---------------|----------|----------|----------|----------|
|           |            |               | 30 pins  | 32 pins  | 36 pins  | 40 pins  |
| 192 KB    | 8 KB       | 20 KB         | —        | —        | —        | R5F104EH |
| 128 KB    | 8 KB       | 16 KB         | R5F104AG | R5F104BG | R5F104CG | R5F104EG |
| 96 KB     | 8 KB       | 12 KB         | R5F104AF | R5F104BF | R5F104CF | R5F104EF |
| 64 KB     | 4 KB       | 5.5 KB Note 1 | R5F104AE | R5F104BE | R5F104CE | R5F104EE |
| 48 KB     | 4 KB       | 5.5 KB Note 1 | R5F104AD | R5F104BD | R5F104CD | R5F104ED |
| 32 KB     | 4 KB       | 4 KB          | R5F104AC | R5F104BC | R5F104CC | R5F104EC |
| 16 KB     | 4 KB       | 2.5 KB        | R5F104AA | R5F104BA | R5F104CA | R5F104EA |

| Flash ROM | Data flash | RAM           | RL78/G14 |          |          |          |
|-----------|------------|---------------|----------|----------|----------|----------|
|           |            |               | 44 pins  | 48 pins  | 52 pins  | 64 pins  |
| 256 KB    | 8 KB       | 24 KB Note 2  | R5F104FJ | R5F104GJ | R5F104JJ | R5F104LJ |
| 192 KB    | 8 KB       | 20 KB         | R5F104FH | R5F104GH | R5F104JH | R5F104LH |
| 128 KB    | 8 KB       | 16 KB         | R5F104FG | R5F104GG | R5F104JG | R5F104LG |
| 96 KB     | 8 KB       | 12 KB         | R5F104FF | R5F104GF | R5F104JF | R5F104LF |
| 64 KB     | 4 KB       | 5.5 KB Note 1 | R5F104FE | R5F104GE | R5F104JE | R5F104LE |
| 48 KB     | 4 KB       | 5.5 KB Note 1 | R5F104FD | R5F104GD | R5F104JD | R5F104LD |
| 32 KB     | 4 KB       | 4 KB          | R5F104FC | R5F104GC | R5F104JC | R5F104LC |
| 16 KB     | 4 KB       | 2.5 KB        | R5F104FA | R5F104GA | —        | —        |

| Flash ROM | Data flash | RAM          | RL78/G14 |          |
|-----------|------------|--------------|----------|----------|
|           |            |              | 80 pins  | 100 pins |
| 256 KB    | 8 KB       | 24 KB Note 2 | R5F104MJ | R5F104PJ |
| 192 KB    | 8 KB       | 20 KB        | R5F104MH | R5F104PH |
| 128 KB    | 8 KB       | 16 KB        | R5F104MG | R5F104PG |
| 96 KB     | 8 KB       | 12 KB        | R5F104MF | R5F104PF |

**Note 1.** This is about 4.5 KB when the self-programming function and data flash function are used.

**Note 2.** This is about 23 KB when the self-programming function and data flash function are used.

## 1.2 Ordering Information

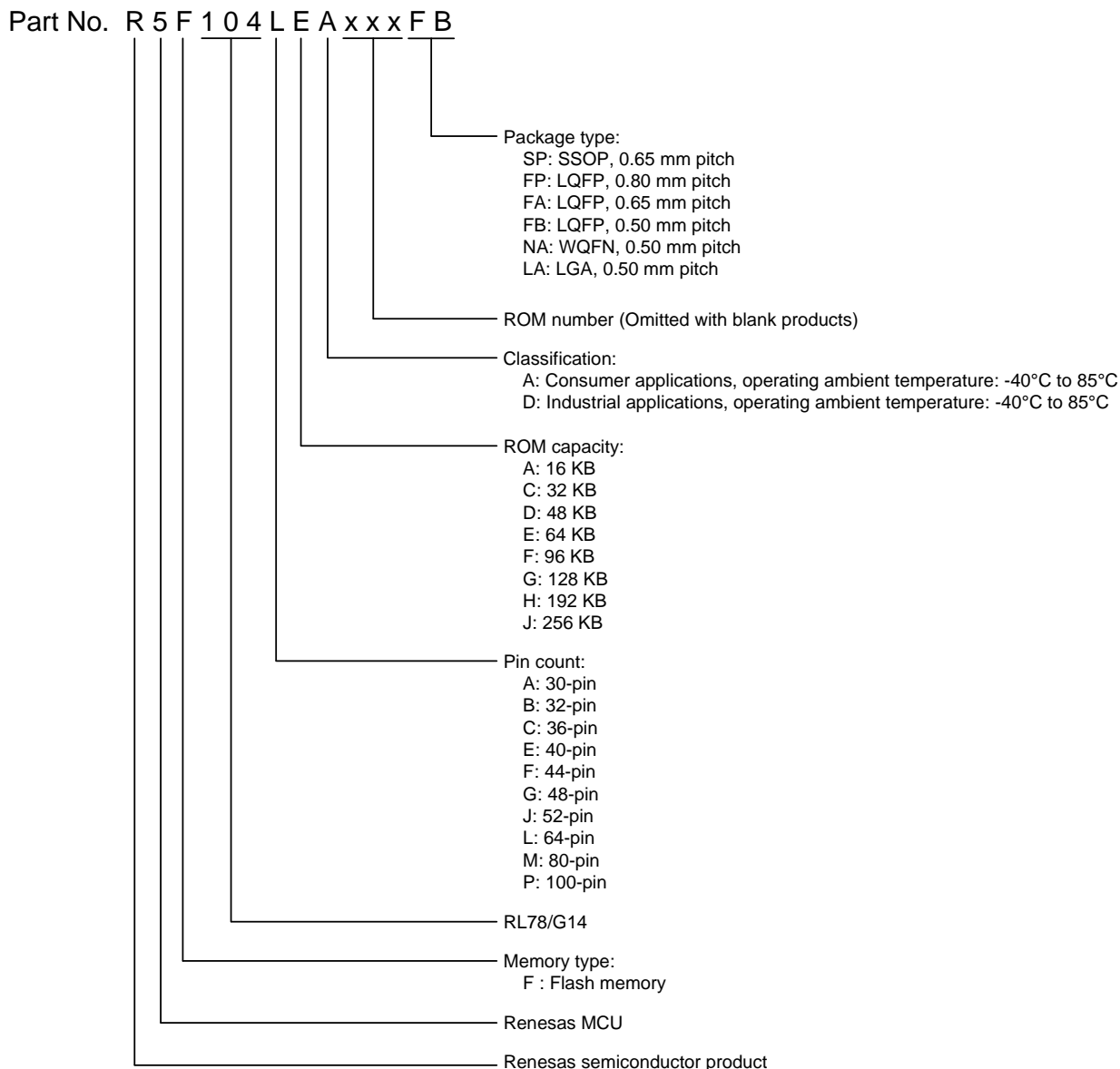
(1/2)

| Pin count | Package                                  | Part Number   |
|-----------|--|---|
| 30 pins   | 30-pin plastic SSOP (7.62 mm (300))      | R5F104AAASP, R5F104ACASP, R5F104ADASP, R5F104AEASP,<br>R5F104AFASP, R5F104AGASP<br>R5F104AADSP, R5F104ACDSP, R5F104ADDSP, R5F104AEDSP,<br>R5F104AFDSP, R5F104AGDSP  |
| 32 pins   | 32-pin plastic WQFN (fine pitch) (5 x 5) | R5F104BAANA, R5F104BCANA, R5F104BDANA, R5F104BEANA,<br>R5F104BFANA, R5F104BGANA<br>R5F104BADNA, R5F104BCDNA, R5F104BDDNA, R5F104BEDNA,<br>R5F104BFDNA, R5F104BGDNA  |
|           | 32-pin plastic LQFP (7 x 7)              | R5F104BAAFP, R5F104BCAFP, R5F104BDAFP, R5F104BEAFP,<br>R5F104BFAFP, R5F104BGAFP<br>R5F104BADFP, R5F104BCDFP, R5F104BDDFP, R5F104BEDFP,<br>R5F104BFDFP, R5F104BGDFP  |
| 36 pins   | 36-pin plastic FLGA (4 x 4)              | R5F104CAALA, R5F104CCALA, R5F104CDALA, R5F104CEALA,<br>R5F104CFALA, R5F104CGALA<br>R5F104CADLA, R5F104CCDLA, R5F104CDDL, R5F104CEDLA,<br>R5F104CFDLA, R5F104CGDLA   |
| 40 pins   | 40-pin plastic WQFN (fine pitch) (6 x 6) | R5F104EAANA, R5F104ECANA, R5F104EDANA, R5F104EEANA,<br>R5F104EFANA, R5F104EGANA, R5F104EHANA<br>R5F104EADNA, R5F104ECDNA, R5F104EDDNA, R5F104EEDNA,<br>R5F104EFDNA, R5F104EGDNA, R5F104EHDNA                                |
| 44 pins   | 44-pin plastic LQFP (10 x 10)            | R5F104FAAFP, R5F104FCAFP, R5F104FDAFP, R5F104FEAFP,<br>R5F104FFAFP, R5F104FGAFP, R5F104FHAFP, R5F104FJAFP<br>R5F104FADFP, R5F104FCDFP, R5F104FDDFP, R5F104FEDFP,<br>R5F104FFDFP, R5F104FGDFP, R5F104FHDFP, R5F104FJDFP      |
| 48 pins   | 48-pin plastic LQFP (fine pitch) (7 x 7) | R5F104GAAFB, R5F104GCAFB, R5F104GD AFB, R5F104GE AFB,<br>R5F104GFAFB, R5F104GG AFB, R5F104GH AFB, R5F104GJ AFB<br>R5F104GADFB, R5F104GCDFB, R5F104GDDFB, R5F104GEDFB,<br>R5F104GFDFB, R5F104GGDFB, R5F104GHDFB, R5F104GJDFB |
|           | 48-pin plastic WQFN (7 x 7)              | R5F104GAANA, R5F104GCANA, R5F104GDANA, R5F104GEANA,<br>R5F104GFANA, R5F104GGANA, R5F104GHANA, R5F104GJANA<br>R5F104GADNA, R5F104GCDNA, R5F104GDDNA, R5F104GEDNA,<br>R5F104GFDNA, R5F104GGDNA, R5F104GHDNA, R5F104GJDNA      |
| 52 pins   | 52-pin plastic LQFP (10 x 10)            | R5F104JCAFA, R5F104JDAFA, R5F104JEAFA, R5F104JFAFA,<br>R5F104JGAFA, R5F104JHAFA, R5F104JJAFA<br>R5F104JCDFA, R5F104JDDFA, R5F104JEDFA, R5F104JFDFA,<br>R5F104JGDFA, R5F104JHDFA, R5F104JJDFA                                |

(2/2)

| Pin count | Package                                     | Part Number  |
|-----------|---|--|
| 64 pins   | 64-pin plastic LQFP (12 × 12)               | R5F104LCAFA, R5F104LDAFA, R5F104LEAFA, R5F104LFAFA,<br>R5F104LGAFB, R5F104LHAFB, R5F104LJAFB<br>R5F104LCDFB, R5F104LDDFB, R5F104LEDFB, R5F104LDFDB,<br>R5F104LGDFB, R5F104LHDFB, R5F104LJDFB |
|           | 64-pin plastic LQFP (fine pitch) (10 × 10)  | R5F104LCAFB, R5F104LDAFB, R5F104LEAFB, R5F104LFAFB,<br>R5F104LGAFB, R5F104LHAFB, R5F104LJAFB<br>R5F104LCDFB, R5F104LDDFB, R5F104LEDFB, R5F104LDFDB,<br>R5F104LGDFB, R5F104LHDFB, R5F104LJDFB |
|           | 64-pin plastic FLGA (5 × 5)                 | R5F104LCALA, R5F104LDALA, R5F104LEALA, R5F104LFALA,<br>R5F104LGALA, R5F104LHALA, R5F104LJALA<br>R5F104LCDLA, R5F104LDDLA, R5F104LEDLA, R5F104LFDLA,<br>R5F104LGDLA, R5F104LHDLA, R5F104LJDLA |
|           | 64-pin plastic LQFP (14 × 14)               | R5F104LCAFP, R5F104LDAFP, R5F104LEAFP, R5F104LFAFP,<br>R5F104LGAFP, R5F104LHAFP, R5F104LJAFP<br>R5F104LCDFP, R5F104LDDFP, R5F104LEDFP, R5F104LDFDP,<br>R5F104LGDFP, R5F104LHDFP, R5F104LJDFP |
| 80 pins   | 80-pin plastic LQFP (fine pitch) (12 × 12)  | R5F104MFAFB, R5F104MGAFB, R5F104MHAFB, R5F104MJAFB<br>R5F104MFDDB, R5F104MGDFB, R5F104MHDFB, R5F104MJDFB   |
|           | 80-pin plastic LQFP (14 × 14)               | R5F104MFAFA, R5F104MGAFB, R5F104MHAFB, R5F104MJAFB<br>R5F104MFDFA, R5F104MGDFA, R5F104MHDFA, R5F104MJDFA   |
| 100 pins  | 100-pin plastic LQFP (fine pitch) (14 × 14) | R5F104PFAFB, R5F104PGAFA, R5F104PHAFB, R5F104PJAFB<br>R5F104PFDFB, R5F104PGDFB, R5F104PHDFB, R5F104PJDFB   |
|           | 100-pin plastic LQFP (14 × 20)              | R5F104PFAFA, R5F104PGAFA, R5F104PHAFB, R5F104PJAFB<br>R5F104PFDFB, R5F104PGDFA, R5F104PHDFA, R5F104PJDFB   |

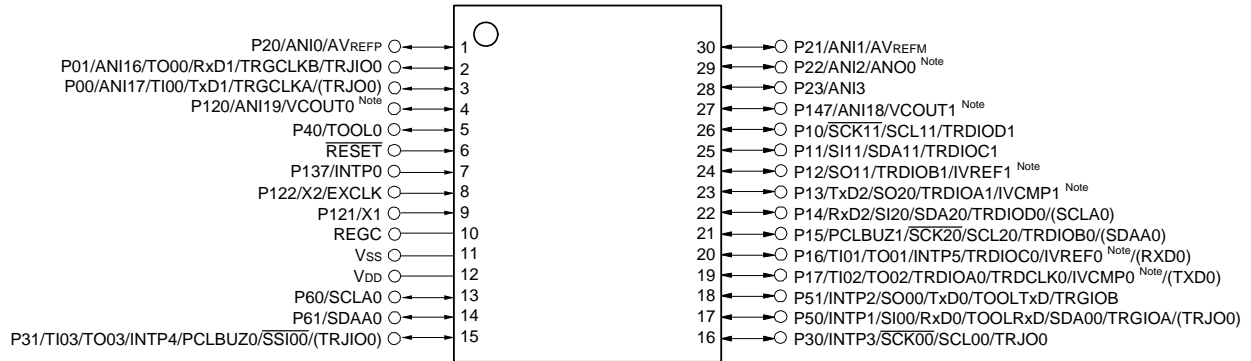
Figure 1 - 1 Part Number, Memory Size, and Package of RL78/G14



## 1.3 Pin Configuration (Top View)

### 1.3.1 30-pin products

- 30-pin plastic SSOP (7.62 mm (300))



**Note** Mounted on the 96 KB or more code flash memory products.

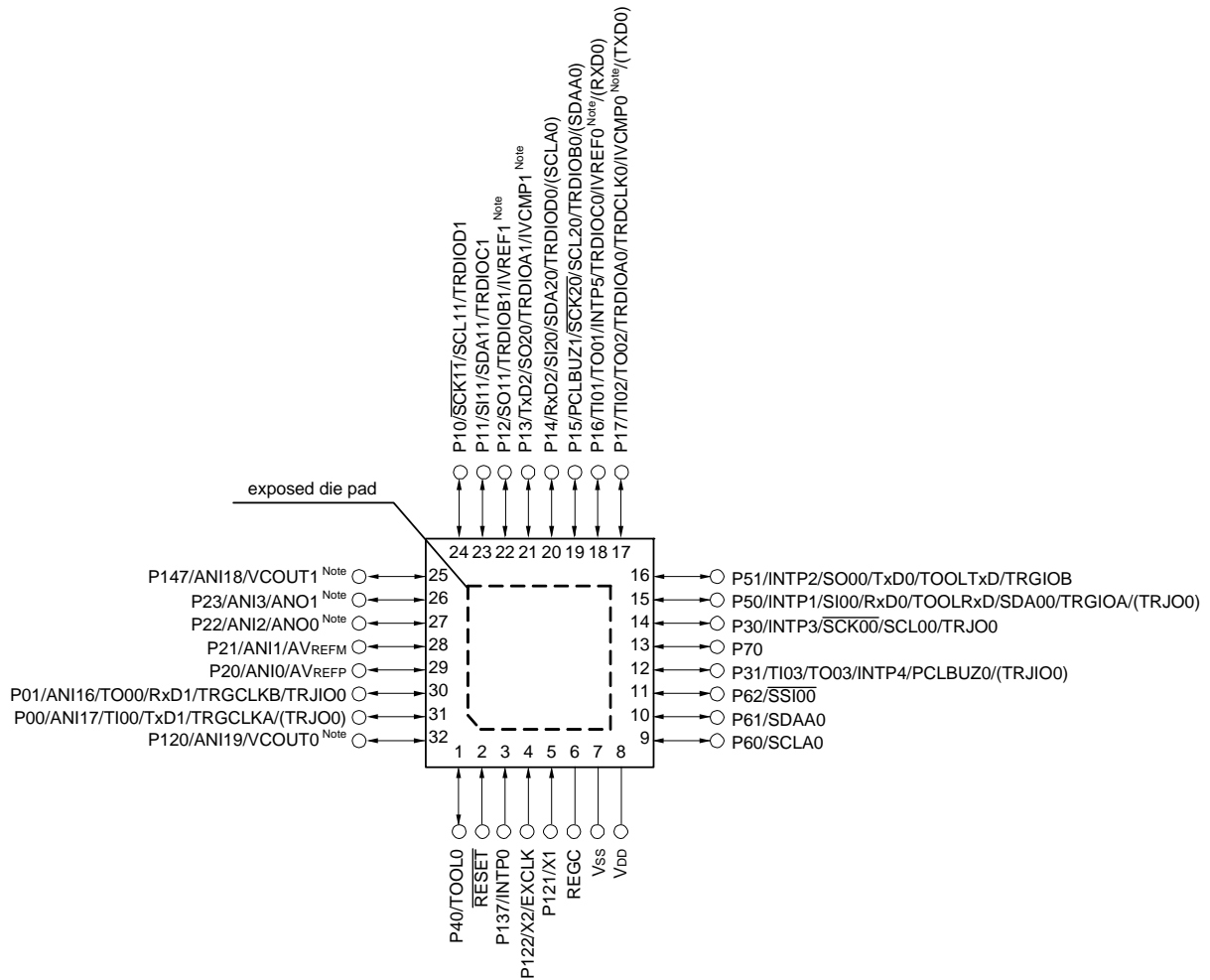
**Caution** Connect the REGC pin to Vss pin via a capacitor (0.47 to 1  $\mu$ F).

**Remark 1.** For pin identification, see 1.4 Pin Identification.

**Remark 2.** Functions in parentheses in the above figure can be assigned via settings in the peripheral I/O redirection register 0, 1 (PIOR0, 1).

### 1.3.2 32-pin products

- 32-pin plastic WQFN (fine pitch) (5 × 5)
- 32-pin plastic LQFP (7 × 7)



**Note** Mounted on the 96 KB or more code flash memory products.

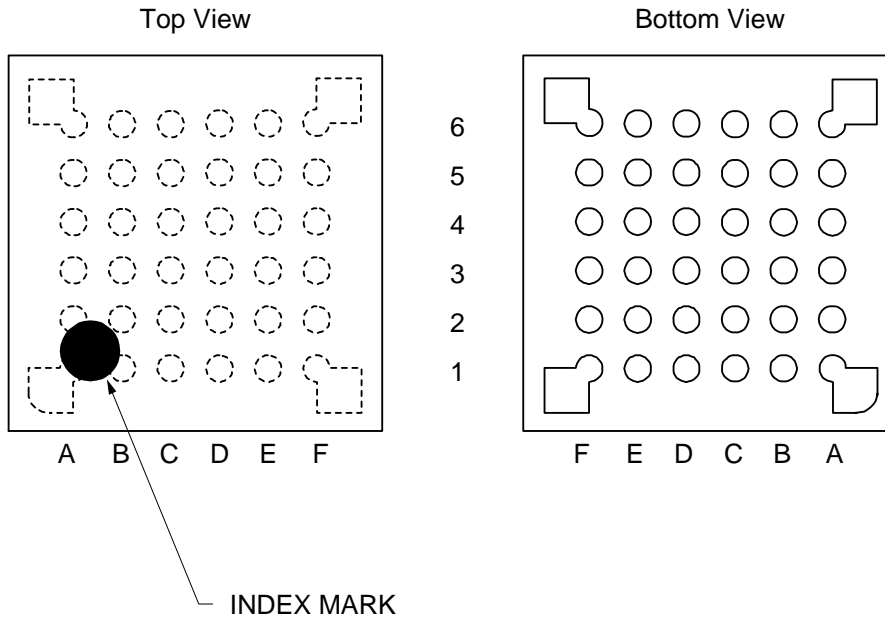
**Caution** Connect the REGC pin to V<sub>SS</sub> pin via a capacitor (0.47 to 1 μF).

**Remark 1.** For pin identification, see 1.4 Pin Identification.

**Remark 2.** Functions in parentheses in the above figure can be assigned via settings in the peripheral I/O redirection register 0, 1 (PIOR0, 1).

### 1.3.3 36-pin products

- 36-pin plastic FLGA (4 × 4)



|   | A  | B  | C  | D   | E                                     | F                                    |   |
|---|--|--|--|---|---------------------------------------|--------------------------------------|---|
| 6 | P60/SCLA0  | V <sub>DD</sub>  | P121/X1  | P122/X2/EXCLK   | P137/INTP0                            | P40/TOOL0                            | 6 |
| 5 | P62/ $\overline{\text{SSI00}}$                                   | P61/SDAA0  | V <sub>SS</sub>  | REGC  | $\overline{\text{RESET}}$             | P120/ANI19/<br>VCOUT0 Note           | 5 |
| 4 | P72/SO21   | P71/SI21/<br>SDA21   | P14/RxD2/SI20/<br>SDA20/TRDIOD0/<br>(SCLA0)                              | P31/TI03/TO03/<br>INTP4/PCLBUZ0/<br>(TRJIO0)          | P00/TI00/TxD1/<br>TRGCLKA/<br>(TRJO0) | P01/TO00/<br>RxD1/TRGCLKB/<br>TRJIO0 | 4 |
| 3 | P50/INTP1/<br>SI00/RxD0/<br>TOOLRxD/<br>SDA00/TRGIOA/<br>(TRJO0) | P70/ $\overline{\text{SCK21}}$ /<br>SCL21                        | P15/PCLBUZ1/<br>$\overline{\text{SCK20}}$ /SCL20/<br>TRDIOB0/<br>(SDAA0) | P22/ANI2/<br>ANO0 Note                                | P20/ANI0/<br>AVREFP                   | P21/ANI1/<br>AVREFM                  | 3 |
| 2 | P30/INTP3/<br>$\overline{\text{SCK00}}$ /SCL00/<br>TRJO0         | P16/TI01/TO01/<br>INTP5/TRDIOC0/<br>IVREF0 Note/<br>(RXD0)       | P12/SO11/<br>TRDIOB1/<br>IVREF1 Note                                     | P11/SI11/<br>SDA11/<br>TRDIOC1                        | P24/ANI4                              | P23/ANI3/<br>ANO1 Note               | 2 |
| 1 | P51/INTP2/<br>SO00/TxD0/<br>TOOLTxD/<br>TRGIOB                   | P17/TI02/TO02/<br>TRDIOA0/<br>TRDCLK0/<br>IVCMP0 Note/<br>(TXD0) | P13/TxD2/<br>SO20/TRDIOA1/<br>IVCMP1 Note                                | P10/ $\overline{\text{SCK11}}$ /<br>SCL11/<br>TRDIOD1 | P147/ANI18/<br>VCOUT1 Note            | P25/ANI5                             | 1 |
|   | A  | B  | C  | D   | E                                     | F                                    |   |

**Note** Mounted on the 96 KB or more code flash memory products.

**Caution** Connect the REGC pin to V<sub>SS</sub> pin via a capacitor (0.47 to 1  $\mu$ F).

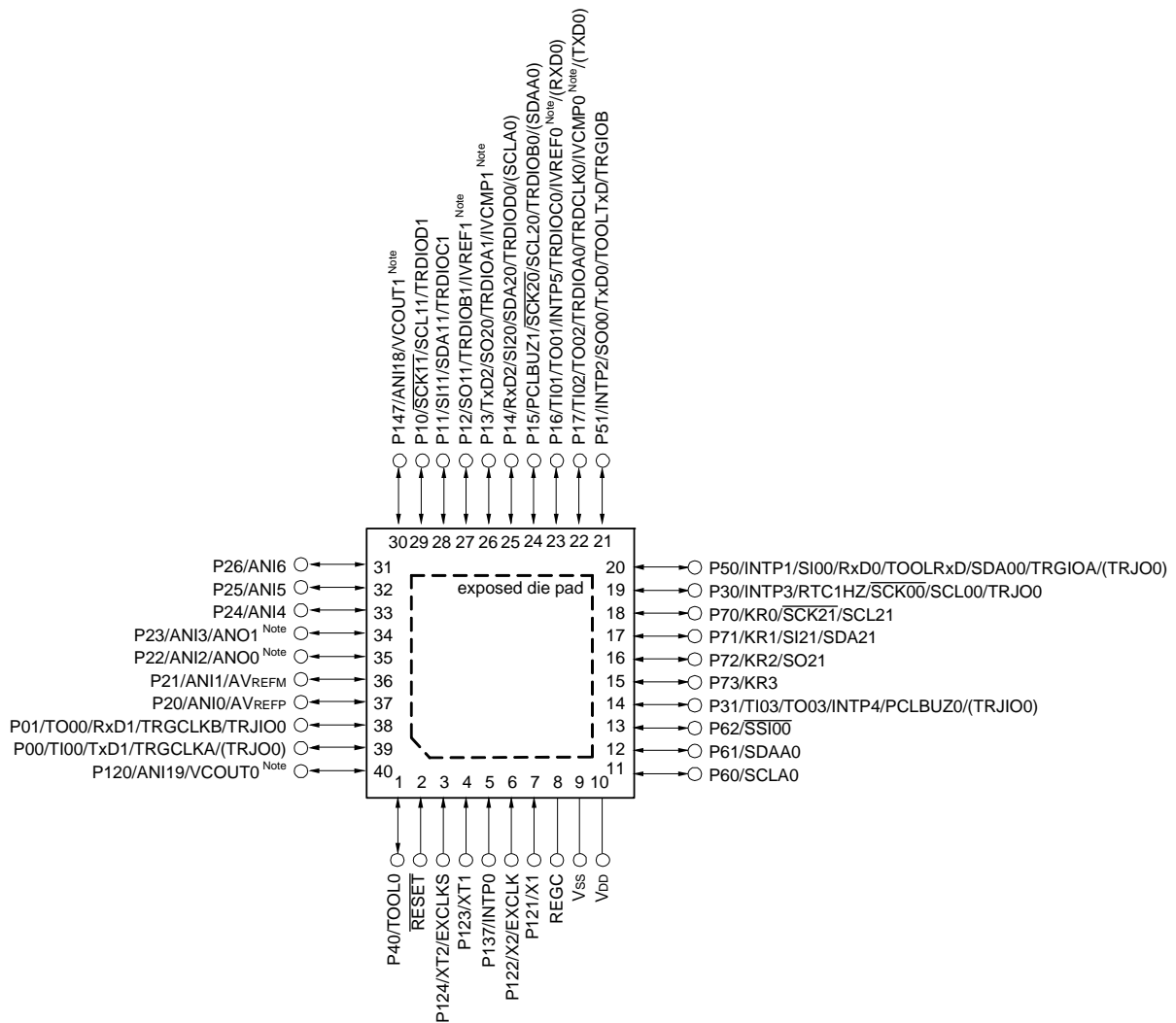
**Remark 1.** For pin identification, see 1.4 Pin Identification.

**Remark 2.** Functions in parentheses in the above figure can be assigned via settings in the peripheral I/O redirection register 0, 1 (PIOR0, 1).



### 1.3.4 40-pin products

- 40-pin plastic WQFN (fine pitch) (6 × 6)



**Note** Mounted on the 96 KB or more code flash memory products.

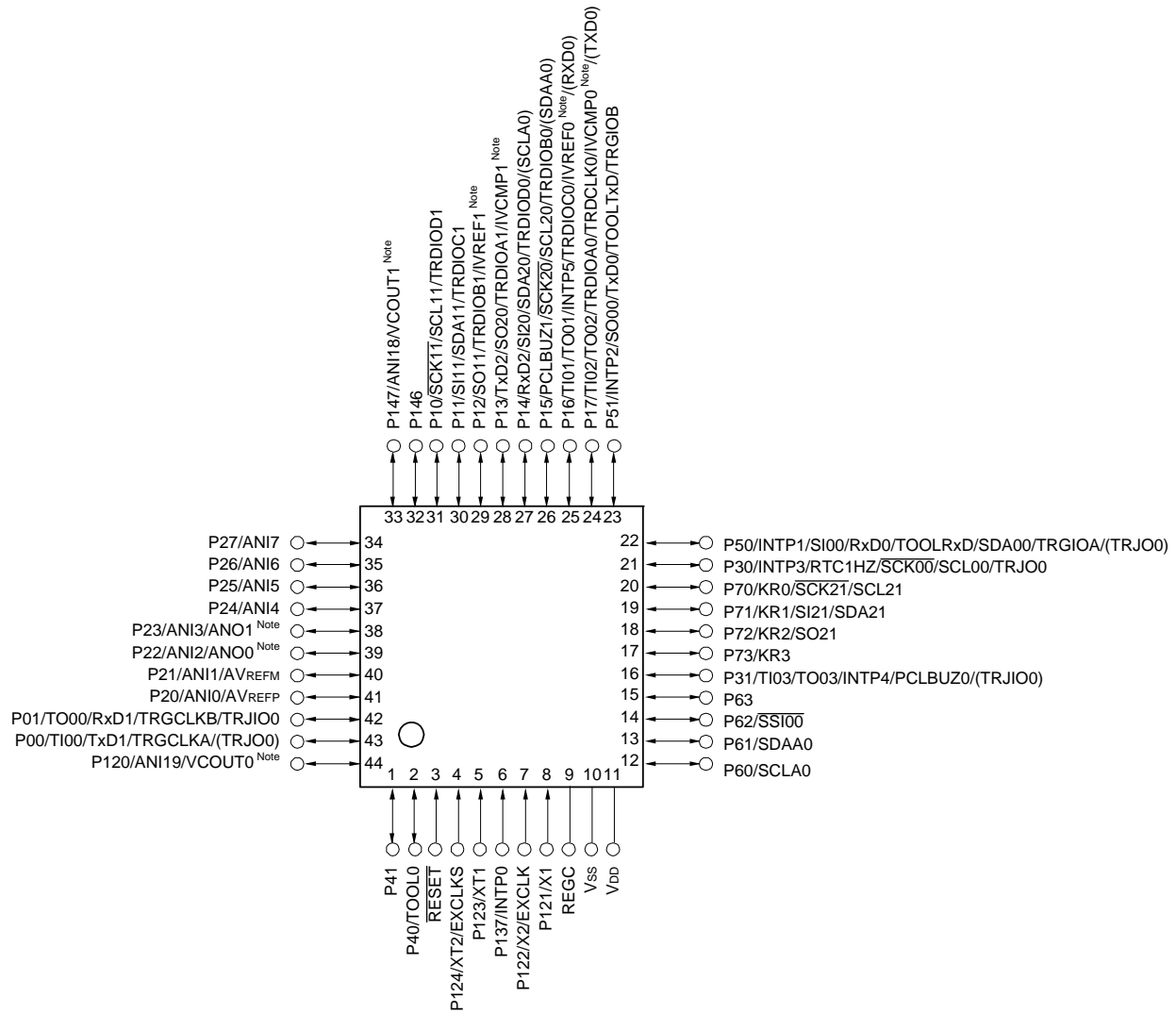
**Caution** Connect the REGC pin to Vss pin via a capacitor (0.47 to 1 μF).

**Remark 1.** For pin identification, see 1.4 Pin Identification.

**Remark 2.** Functions in parentheses in the above figure can be assigned via settings in the peripheral I/O redirection register 0, 1 (PIOR0, 1).

### 1.3.5 44-pin products

- 44-pin plastic LQFP (10 × 10)



**Note** Mounted on the 96 KB or more code flash memory products.

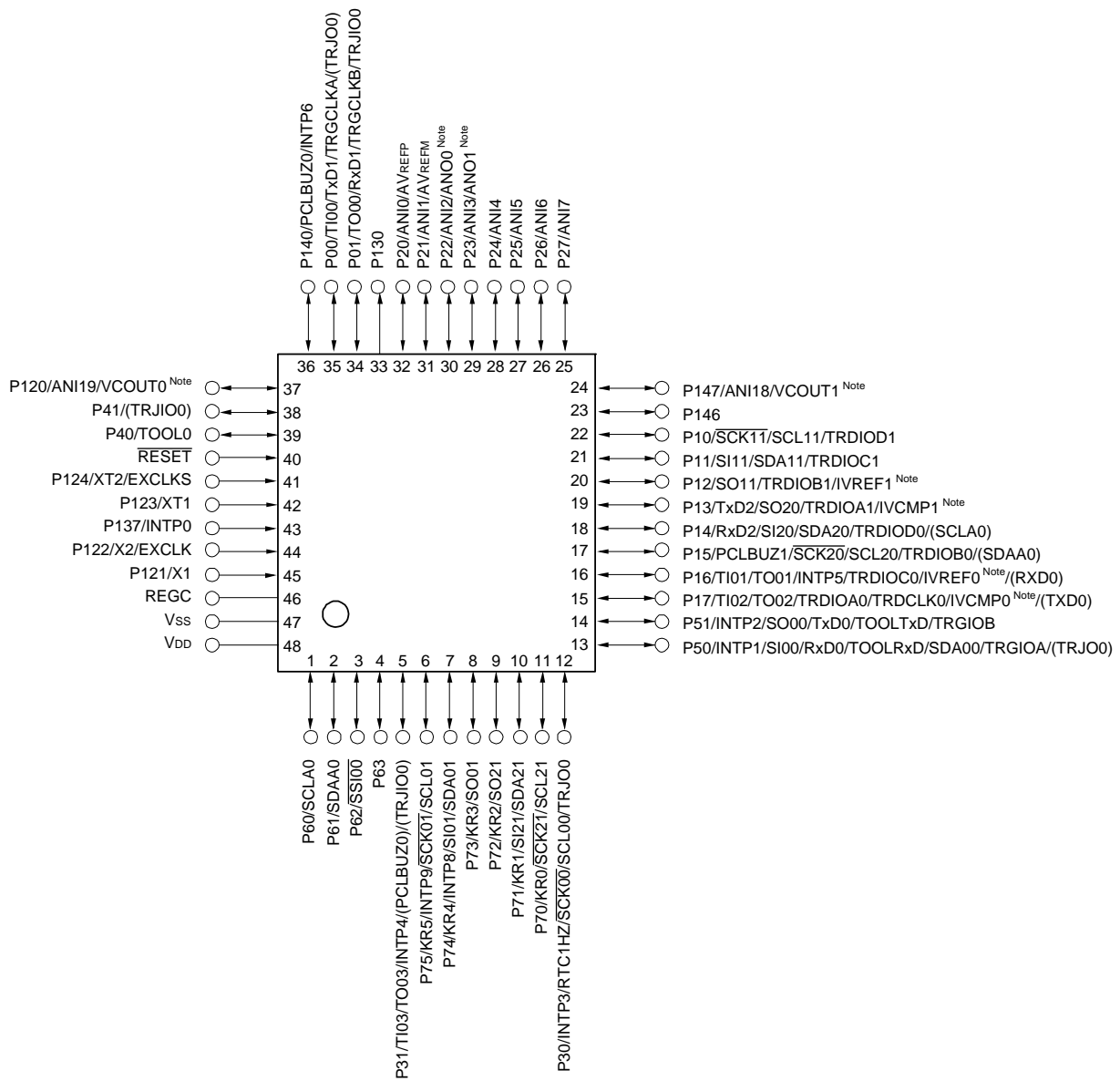
**Caution** Connect the REGC pin to Vss pin via a capacitor (0.47 to 1 μF).

**Remark 1.** For pin identification, see 1.4 Pin Identification.

**Remark 2.** Functions in parentheses in the above figure can be assigned via settings in the peripheral I/O redirection register 0, 1 (PIOR0, 1).

### 1.3.6 48-pin products

- 48-pin plastic LQFP (fine pitch) (7 × 7)



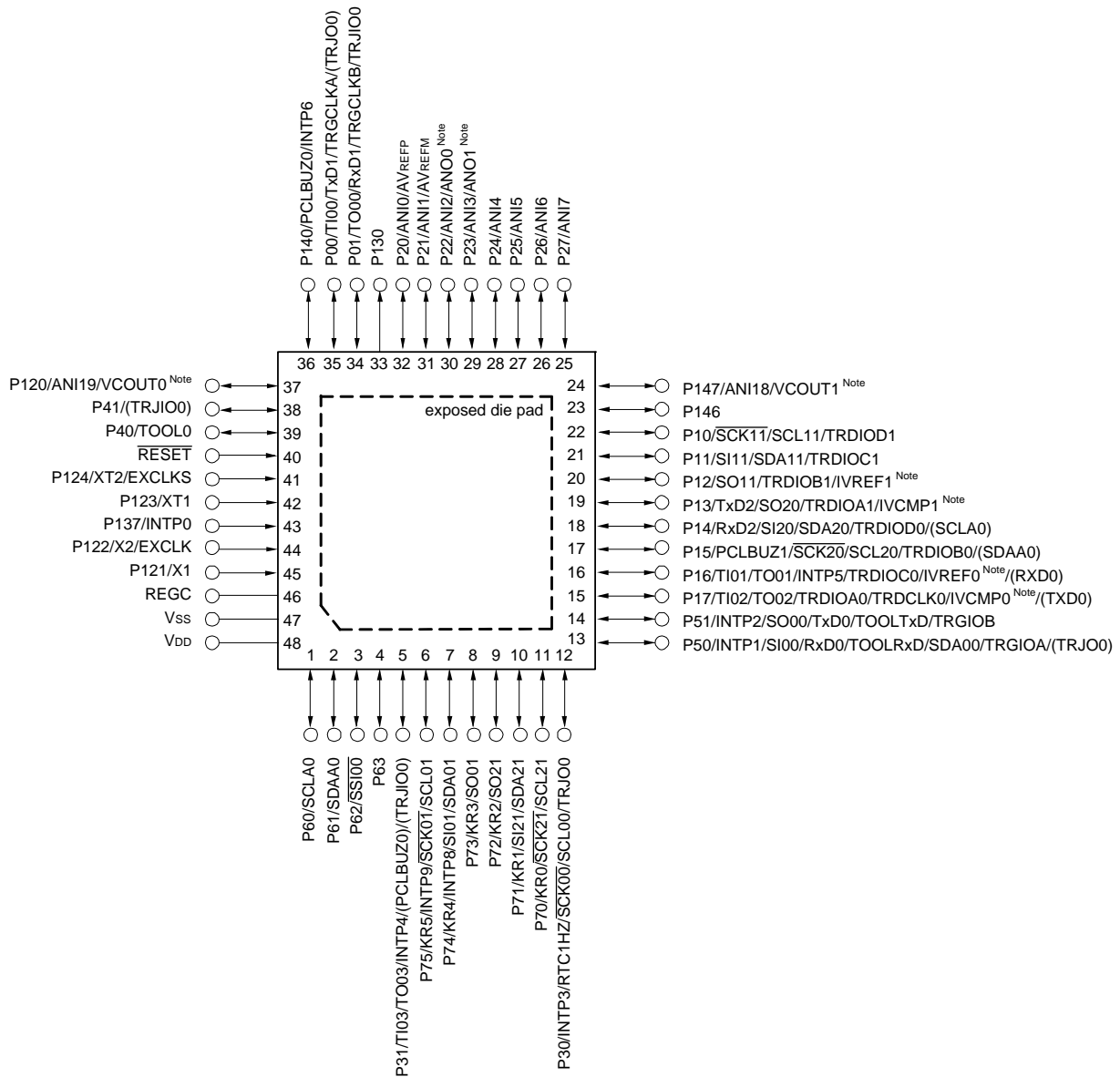
**Note** Mounted on the 96 KB or more code flash memory products.

**Caution** Connect the REGC pin to Vss pin via a capacitor (0.47 to 1 μF).

**Remark 1.** For pin identification, see 1.4 Pin Identification.

**Remark 2.** Functions in parentheses in the above figure can be assigned via settings in the peripheral I/O redirection register 0, 1 (PIOR0, 1).

- 48-pin plastic WQFN (7 × 7)



**Note** Mounted on the 96 KB or more code flash memory products.

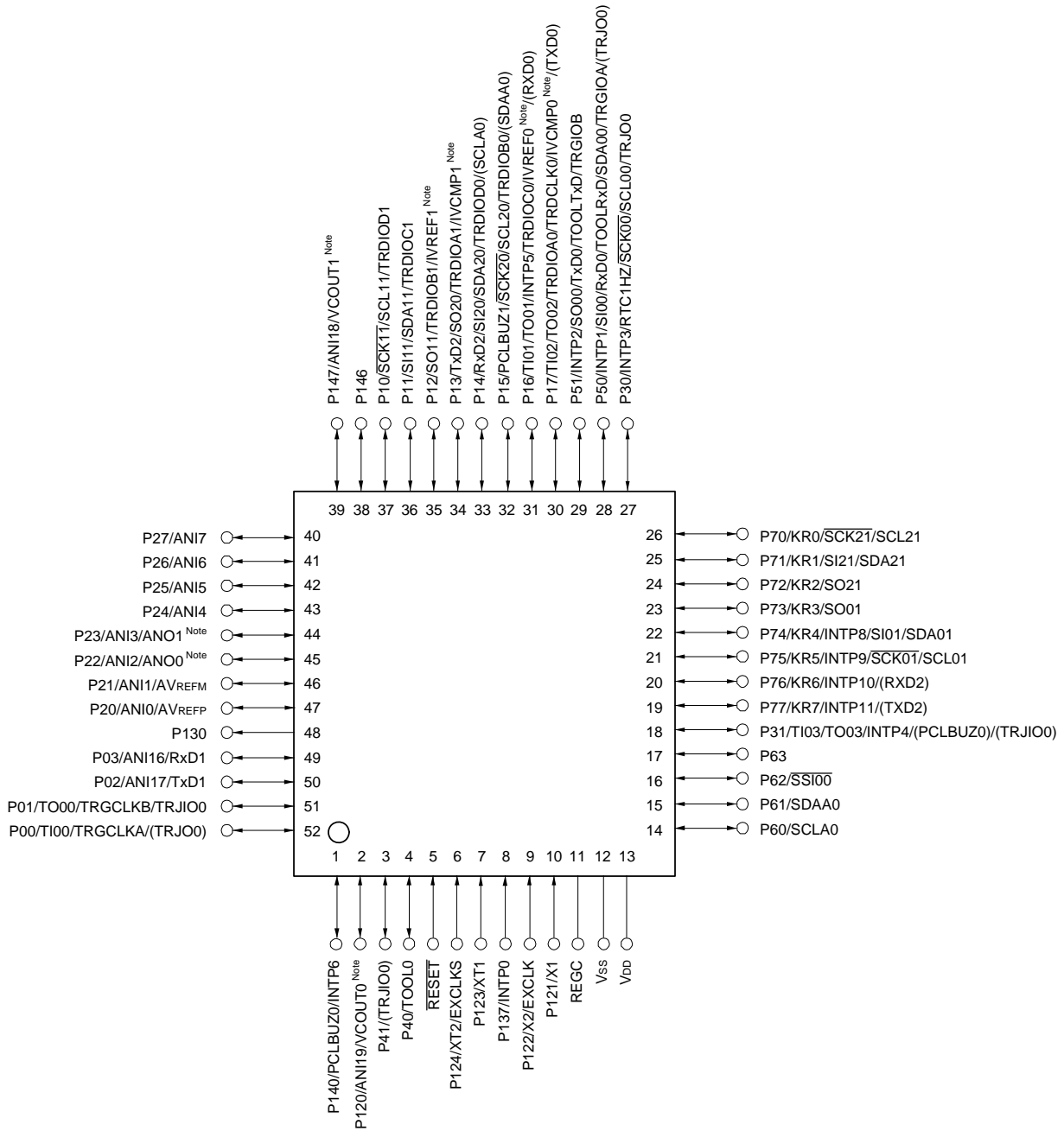
**Caution** Connect the REGC pin to Vss pin via a capacitor (0.47 to 1 μF).

**Remark 1.** For pin identification, see 1.4 Pin Identification.

**Remark 2.** Functions in parentheses in the above figure can be assigned via settings in the peripheral I/O redirection register 0, 1 (PIOR0, 1).

### 1.3.7 52-pin products

- 52-pin plastic LQFP (10 × 10)



**Note** Mounted on the 96 KB or more code flash memory products.

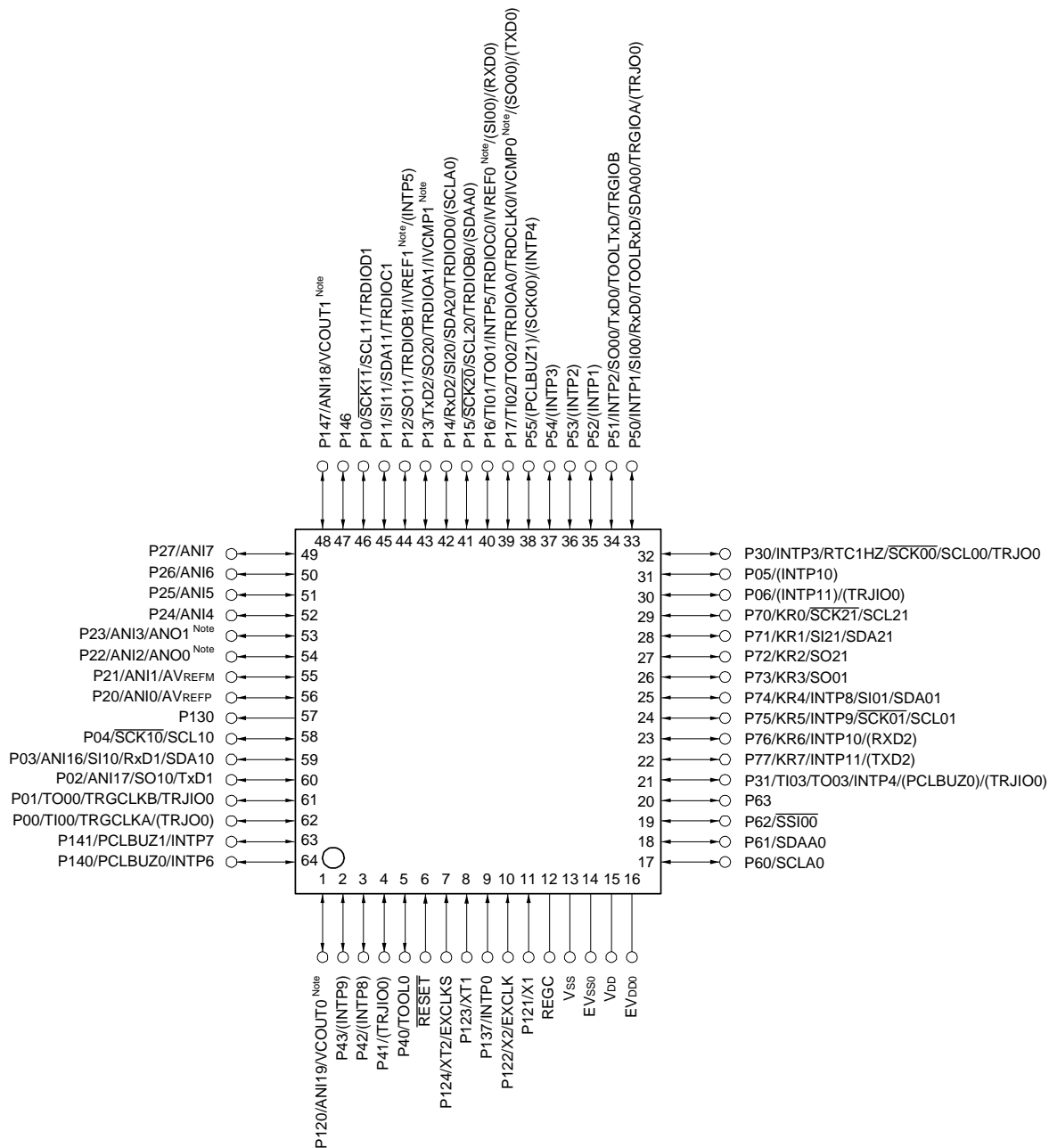
**Caution** Connect the REGC pin to V<sub>SS</sub> pin via a capacitor (0.47 to 1 μF).

**Remark 1.** For pin identification, see 1.4 Pin Identification.

**Remark 2.** Functions in parentheses in the above figure can be assigned via settings in the peripheral I/O redirection register 0, 1 (PIOR0, 1).

### 1.3.8 64-pin products

- 64-pin plastic LQFP (14 × 14)
- 64-pin plastic LQFP (12 × 12)
- 64-pin plastic LQFP (fine pitch) (10 × 10)



**Note** Mounted on the 96 KB or more code flash memory products.

**Caution 1.** Make EVSS0 pin the same potential as Vss pin.

**Caution 2.** Make VDD pin the same potential as EVDD0 pin, or the potential that is higher than the EVDD0 pin.

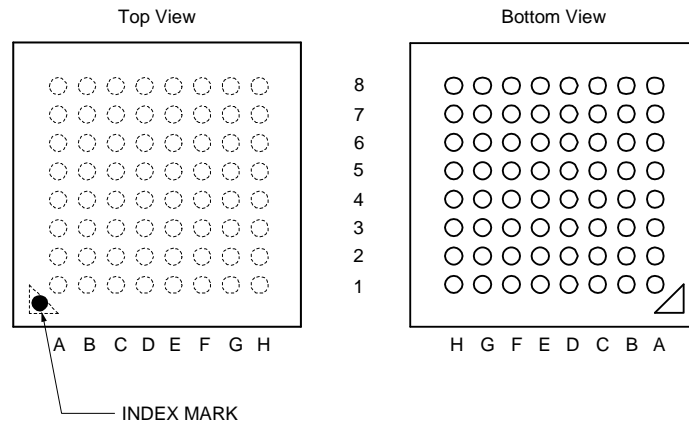
**Caution 3.** Connect the REGC pin to Vss pin via a capacitor (0.47 to 1 μF).

**Remark 1.** For pin identification, see 1.4 Pin Identification.

**Remark 2.** When using the microcontroller for an application where the noise generated inside the microcontroller must be reduced, it is recommended to supply separate powers to the VDD and EVDD0 pins and connect the Vss and EVSS0 pins to separate ground lines.

**Remark 3.** Functions in parentheses in the above figure can be assigned via settings in the peripheral I/O redirection register 0, 1 (PIOR0, 1).

- 64-pin plastic FLGA (5 × 5)



|   | A  | B  | C  | D   | E   | F  | G                                | H                                 |   |
|---|--|--|--|---|---|--|----------------------------------|-----------------------------------|---|
| 8 | EV <sub>DD0</sub>                              | EV <sub>SS0</sub>  | P121/X1  | P122/X2/<br>EXCLK   | P137/INTP0  | P123/XT1   | P124/XT2/<br>EXCLKS              | P120/ANI19/<br>VCOUT0 <i>Note</i> | 8 |
| 7 | P60/SCLA0                                      | V <sub>DD</sub>  | V <sub>SS</sub>                                | REGC  | RESET   | P01/TO00/<br>TRGCLKB/<br>TRJIO0                          | P00/TI00/<br>TRGCLKA/<br>(TRJO0) | P140/<br>PCLBUZ0/<br>INTP6        | 7 |
| 6 | P61/SDAA0                                      | P62/SSIO0  | P63  | P40/TOOL0   | P41/(TRJIO0)  | P43/(INTP9)  | P02/ANI17/<br>SO10/TxD1          | P141/<br>PCLBUZ1/<br>INTP7        | 6 |
| 5 | P77/KR7/<br>INTP11/(TXD2)                      | P31/TI03/<br>TO03/INTP4/<br>(PCLBUZ0)/<br>(TRJIO0)                   | P53/(INTP2)                                    | P42/(INTP8)   | P03/ANI16/<br>SI10/RxD1/<br>SDA10   | P04/SCK10/<br>SCL10                                      | P130                             | P20/ANI0/<br>AVREFP               | 5 |
| 4 | P75/KR5/<br>INTP9/<br>SCK01/<br>SCL01          | P76/KR6/<br>INTP10/<br>(RxD2)  | P52/(INTP1)                                    | P54/(INTP3)   | P16/TI01/<br>TO01/INTP5/<br>TRDIOC0/<br>IVREF0 <i>Note</i> /<br>(SI00)/(RxD0) | P21/ANI1/<br>AVREFM                                      | P22/ANI2/<br>ANO0 <i>Note</i>    | P23/ANI3/<br>ANO1 <i>Note</i>     | 4 |
| 3 | P70/KR0/<br>SCK21/<br>SCL21                    | P73/KR3/<br>SO01   | P74/KR4/<br>INTP8/SI01/<br>SDA01               | P17/TI02/TO02/<br>TRDIOA0/<br>TRDCLK0/<br>IVCMP0 <i>Note</i> /<br>(SO00)/(TXD0) | P15/SCK20/<br>SCL20/<br>TRDIOB0/<br>(SDAA0)                                   | P12/SO11/<br>TRDIOB1/<br>IVREF1 <i>Note</i> /<br>(INTP5) | P24/ANI4                         | P26/ANI6                          | 3 |
| 2 | P30/INTP3/<br>RTC1HZ/<br>SCK00/<br>SCL00/TRJO0 | P72/KR2/<br>SO21   | P71/KR1/<br>SI21/SDA21                         | P06/(INTP11)/<br>(TRJIO0)   | P14/RxD2/<br>SI20/SDA20/<br>TRDIOD0/<br>(SCLA0)                               | P11/SI11/<br>SDA11/<br>TRDIOC1                           | P25/ANI5                         | P27/ANI7                          | 2 |
| 1 | P05/(INTP10)                                   | P50/INTP1/<br>SI00/RxD0/<br>TOOLRxD/<br>SDA00/<br>TRGIOA/<br>(TRJO0) | P51/INTP2/<br>SO00/TxD0/<br>TOOLTxD/<br>TRGIOB | P55/<br>(PCLBUZ1)/<br>(SCK00)/<br>(INTP4)                                       | P13/TxD2/<br>SO20/<br>TRDIOA1/<br>IVCMP1 <i>Note</i>                          | P10/SCK11/<br>SCL11/<br>TRDIOD1                          | P146                             | P147/ANI18/<br>VCOUT1 <i>Note</i> | 1 |
|   | A  | B  | C  | D   | E   | F  | G                                | H                                 |   |

**Note** Mounted on the 96 KB or more code flash memory products.

**Caution 1.** Make EV<sub>SS0</sub> pin the same potential as V<sub>SS</sub> pin.

**Caution 2.** Make V<sub>DD</sub> pin the same potential as EV<sub>DD0</sub> pin, or the potential that is higher than the EV<sub>DD0</sub> pin.

**Caution 3.** Connect the REGC pin to V<sub>SS</sub> pin via a capacitor (0.47 to 1 μF).

(Remarks are listed on the next page.)

**Remark 1.** For pin identification, see **1.4 Pin Identification**.

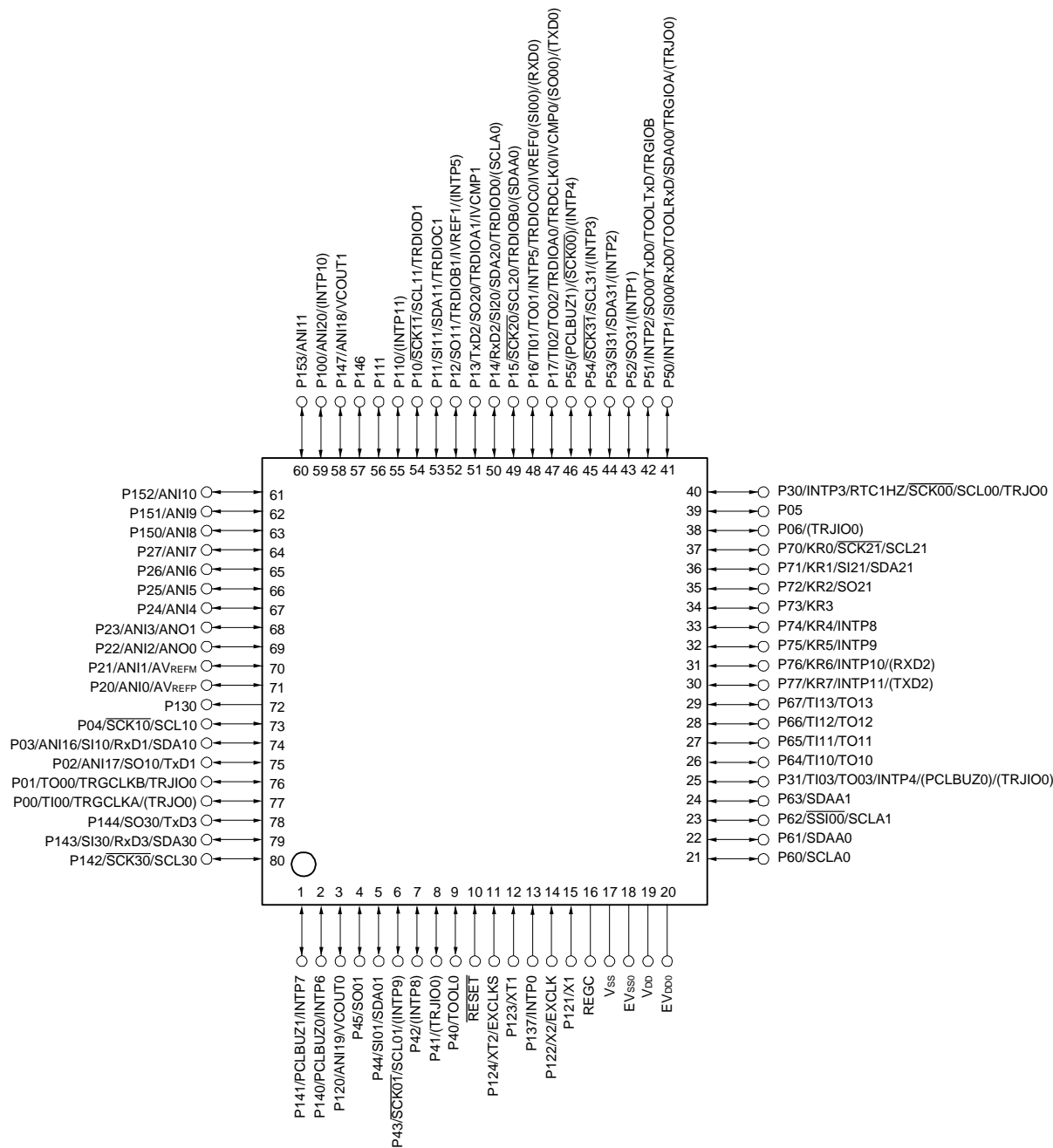
**Remark 2.** When using the microcontroller for an application where the noise generated inside the microcontroller must be reduced, it is recommended to supply separate powers to the VDD and EVDD0 pins and connect the VSS and EVSS0 pins to separate ground lines.

**Remark 3.** Functions in parentheses in the above figure can be assigned via settings in the peripheral I/O redirection register 0, 1 (PIOR0, 1).



### 1.3.9 80-pin products

- 80-pin plastic LQFP (14 × 14)
- 80-pin plastic LQFP (fine pitch) (12 × 12)



**Caution** Make EV<sub>SS0</sub> pin the same potential as V<sub>SS</sub> pin.

**Caution 1.** Make V<sub>DD</sub> pin the same potential as EV<sub>DD0</sub> pin, or the potential that is higher than the EV<sub>DD0</sub> pin.

**Caution 2.** Connect the REGC pin to V<sub>SS</sub> pin via a capacitor (0.47 to 1 μF).

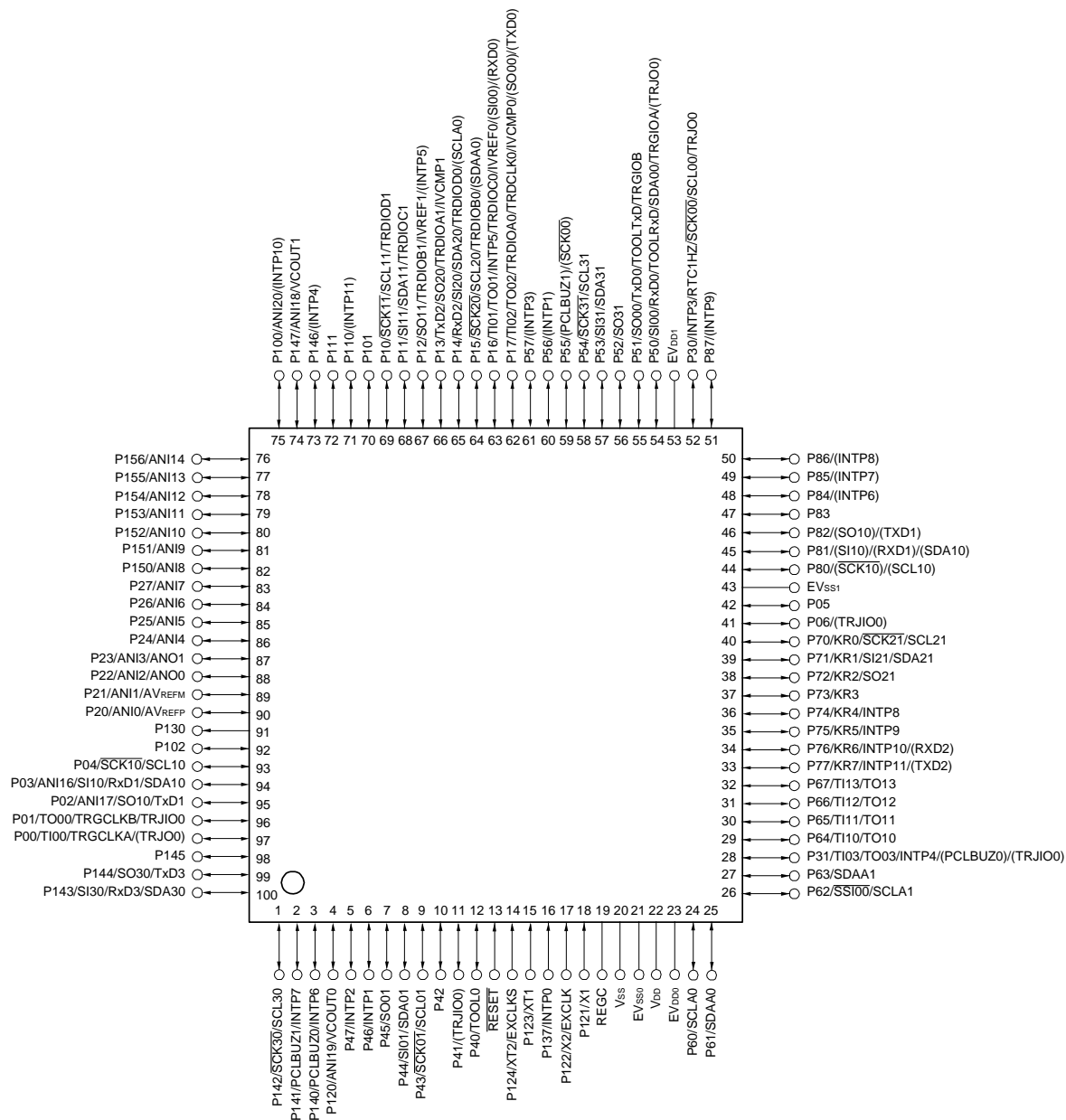
**Remark 1.** For pin identification, see 1.4 Pin Identification.

**Remark 2.** When using the microcontroller for an application where the noise generated inside the microcontroller must be reduced, it is recommended to supply separate powers to the V<sub>DD</sub> and EV<sub>DD0</sub> pins and connect the V<sub>SS</sub> and EV<sub>SS0</sub> pins to separate ground lines.

**Remark 3.** Functions in parentheses in the above figure can be assigned via settings in the peripheral I/O redirection register 0, 1 (PIOR0, 1).

### 1.3.10 100-pin products

- 100-pin plastic LQFP (fine pitch) (14 × 14)



**Caution** Make EVSS0, EVSS1 pins the same potential as VSS pin.

**Caution 1.** Make VDD pin the same potential as EVDD0 pin, or the potential that is higher than the EVDD0 pin.  
Make EVDD1 pin the same potential as EVDD0 pin.

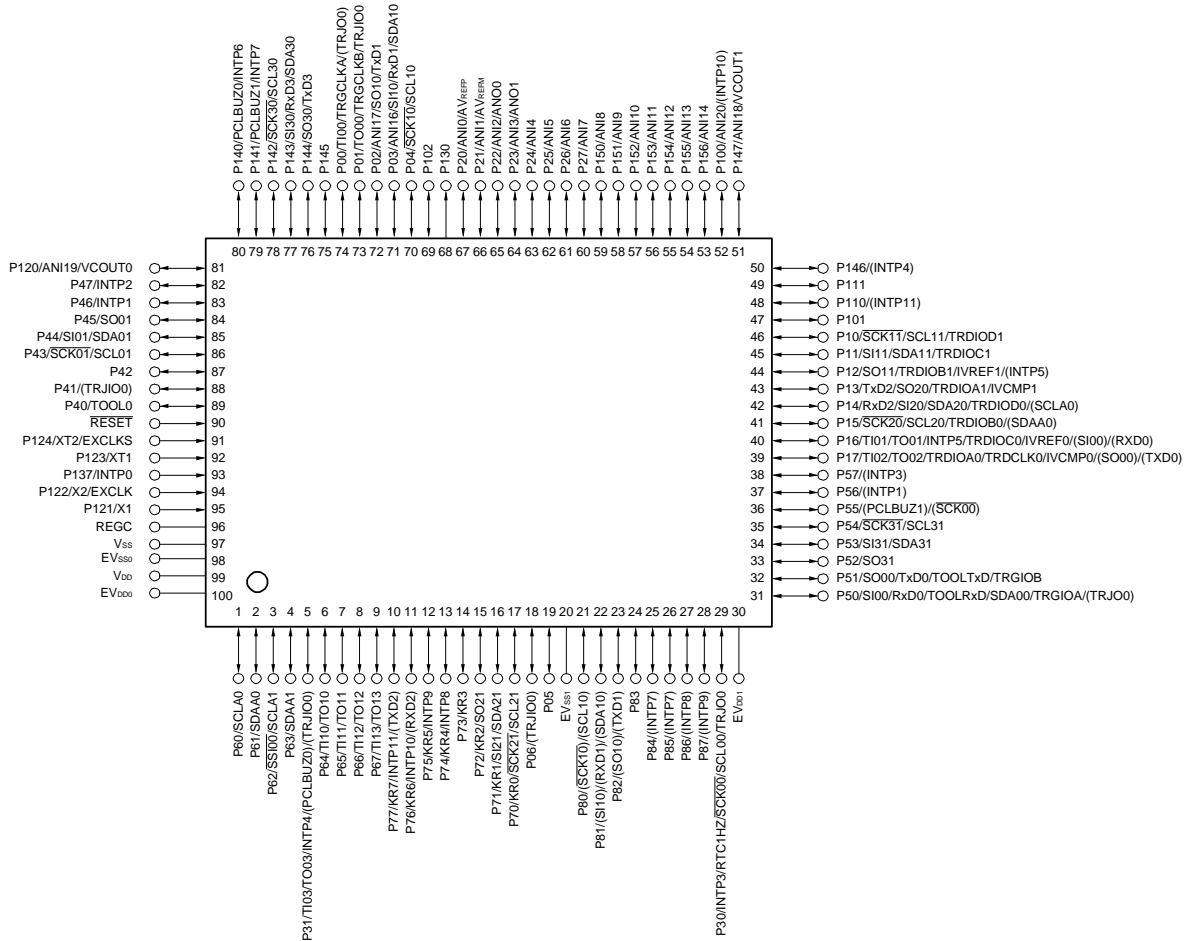
**Caution 2.** Connect the REGC pin to VSS pin via a capacitor (0.47 to 1 μF).

**Remark 1.** For pin identification, see 1.4 Pin Identification.

**Remark 2.** When using the microcontroller for an application where the noise generated inside the microcontroller must be reduced, it is recommended to supply separate powers to the VDD, EVDD0 and EVDD1 pins and connect the VSS, EVSS0 and EVSS1 pins to separate ground lines.

**Remark 3.** Functions in parentheses in the above figure can be assigned via settings in the peripheral I/O redirection register 0, 1 (PIOR0, 1).

- 100-pin plastic LQFP (fine pitch) (14 × 20)



**Caution** Make EVss0, EVss1 pins the same potential as Vss pin.

**Caution 1.** Make VDD pin the same potential as EVDD0 pin, or the potential that is higher than the EVDD0 pin.

Make EVDD1 pin the same potential as EVDD0 pin

**Caution 2.** Connect the REGC pin to Vss pin via a capacitor (0.47 to 1 μF).

**Remark 1.** For pin identification, see 1.4 Pin Identification.

**Remark 2.** When using the microcontroller for an application where the noise generated inside the microcontroller must be reduced, it is recommended to supply separate powers to the VDD, EVDD0 and EVDD1 pins and connect the Vss, EVss0 and EVss1 pins to separate ground lines.

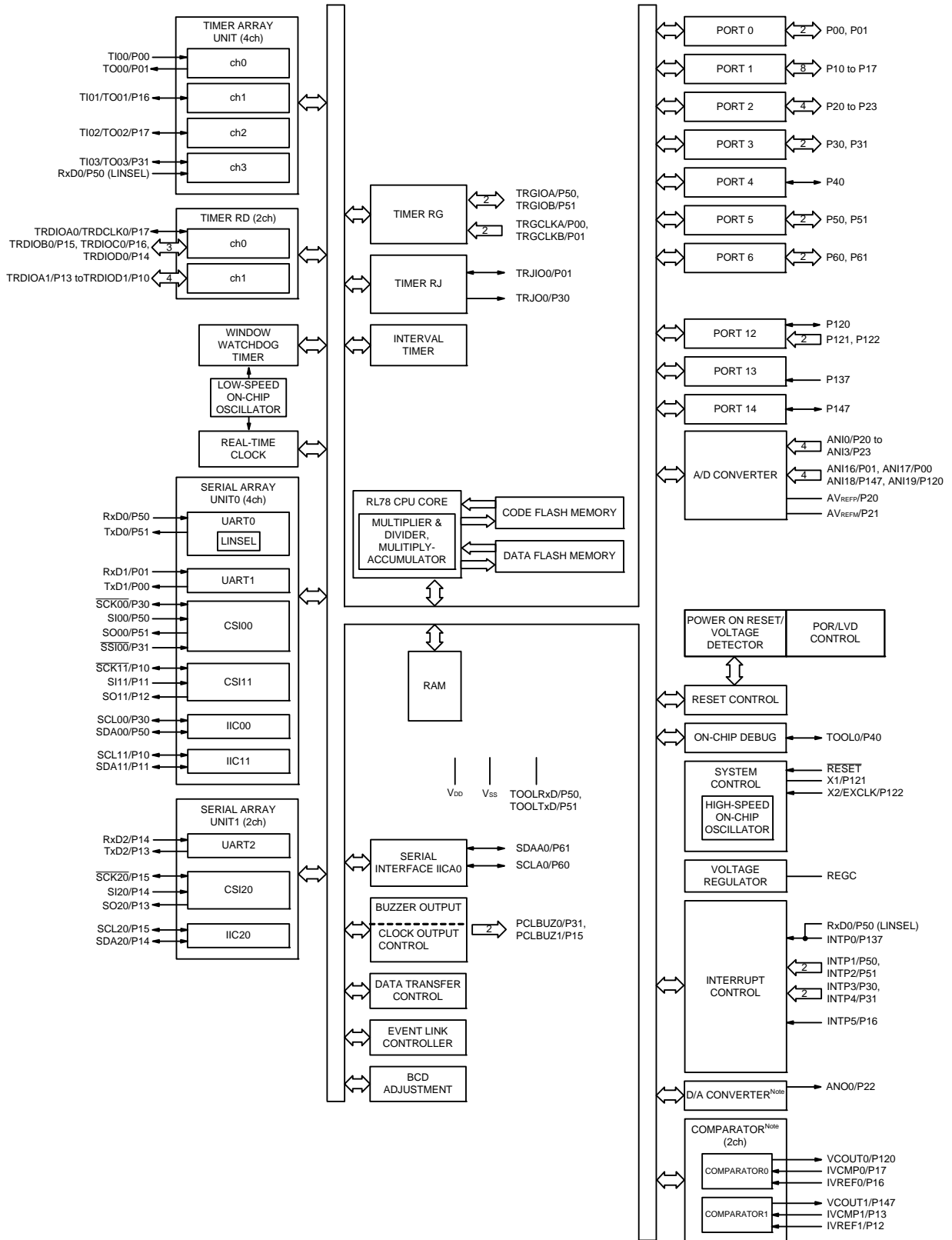
**Remark 3.** Functions in parentheses in the above figure can be assigned via settings in the peripheral I/O redirection register 0, 1 (PIOR0, 1).

## 1.4 Pin Identification

|                             |   |  |  |
|-----------------------------|---|--|--|
| ANI0 to ANI14,:             | Analog input  | RxD0 to RxD3:  | Receive data                           |
| ANI16 to ANI20              |   | $\overline{\text{SCK00}}$ , $\overline{\text{SCK01}}$ , $\overline{\text{SCK10}}$ ,: | Serial clock input/output              |
| ANO0, ANO1:                 | Analog output                                       | $\overline{\text{SCK11}}$ , $\overline{\text{SCK20}}$ , $\overline{\text{SCK21}}$ ,  |  |
| AVREFM:                     | A/D converter reference<br>potential (– side) input | $\overline{\text{SCK30}}$ , $\overline{\text{SCK31}}$                                |  |
| AVREFP:                     | A/D converter reference<br>potential (+ side) input | SCLA0, SCLA1, SCL00,:  | Serial clock input/output              |
| EVDD0, EVDD1:               | Power supply for port                               | SCL01, SCL10, SCL11,   |  |
| EVSS0, EVSS1:               | Ground for port                                     | SCL20, SCL21, SCL30,   |  |
| EXCLK:                      | External clock input<br>(main system clock)         | SCL31  |  |
| EXCLKS:                     | External clock input<br>(sub system clock)          | SDAA0, SDAA1, SDA00,:  | Serial data input/output               |
| INTP0 to INTP11:            | External interrupt input                            | SDA01, SDA10, SDA11,   |  |
| IVCMP0, IVCMP1:             | Comparator input                                    | SDA20, SDA21, SDA30,   |  |
| IVREF0, IVREF1:             | Comparator reference input                          | SDA31  |  |
| KR0 to KR7:                 | Key return  | SI00, SI01, SI10, SI11,:   | Serial data input                      |
| P00 to P06:                 | Port 0  | SI20, SI21, SI30, SI31   |  |
| P10 to P17:                 | Port 1  | SO00, SO01, SO10,:   | Serial data output                     |
| P20 to P27:                 | Port 2  | SO11, SO20, SO21,  |  |
| P30, P31:                   | Port 3  | SO30, SO31   |  |
| P40 to P47:                 | Port 4  | $\overline{\text{SSI00}}$ :  | Serial interface chip select input     |
| P50 to P57:                 | Port 5  | TI00 to TI03,:   | Timer input                            |
| P60 to P67:                 | Port 6  | TI10 to TI13   |  |
| P70 to P77:                 | Port 7  | TO00 to TO03,:   | Timer output                           |
| P80 to P87:                 | Port 8  | TO10 to TO13, TRJ00  |  |
| P100 to P102:               | Port 10   | TOOL0:   | Data input/output for tool             |
| P110, P111:                 | Port 11   | TOOLRxD, TOOLTxD:  | Data input/output for external device  |
| P120 to P124:               | Port 12   | TRDCLK0, TRGCLKA,:   | Timer external input clock             |
| P130, P137:                 | Port 13   | TRGCLKB  |  |
| P140 to P147:               | Port 14   | TRDIOA0, TRDIOB0,:   | Timer input/output                     |
| P150 to P156:               | Port 15   | TRDIOC0, TRDIOD0,  |  |
| PCLBUZ0, PCLBUZ1:           | Programmable clock<br>output/buzzer output          | TRDIOA1, TRDIOB1,  |  |
| REGC:                       | Regulator capacitance                               | TRDIOC1, TRDIOD1,  |  |
| $\overline{\text{RESET}}$ : | Reset   | TRGIOA, TRGIOB, TRJIO0   |  |
| RTC1HZ:                     | Real-time clock correction clock<br>(1 Hz) output   | TxD0 to TxD3:  | Transmit data                          |
|                             |   | VCOUT0, VCOUT1:  | Comparator output                      |
|                             |   | VDD:   | Power supply                           |
|                             |   | VSS:   | Ground                                 |
|                             |   | X1, X2:  | Crystal oscillator (main system clock) |
|                             |   | XT1, XT2:  | Crystal oscillator (subsystem clock)   |

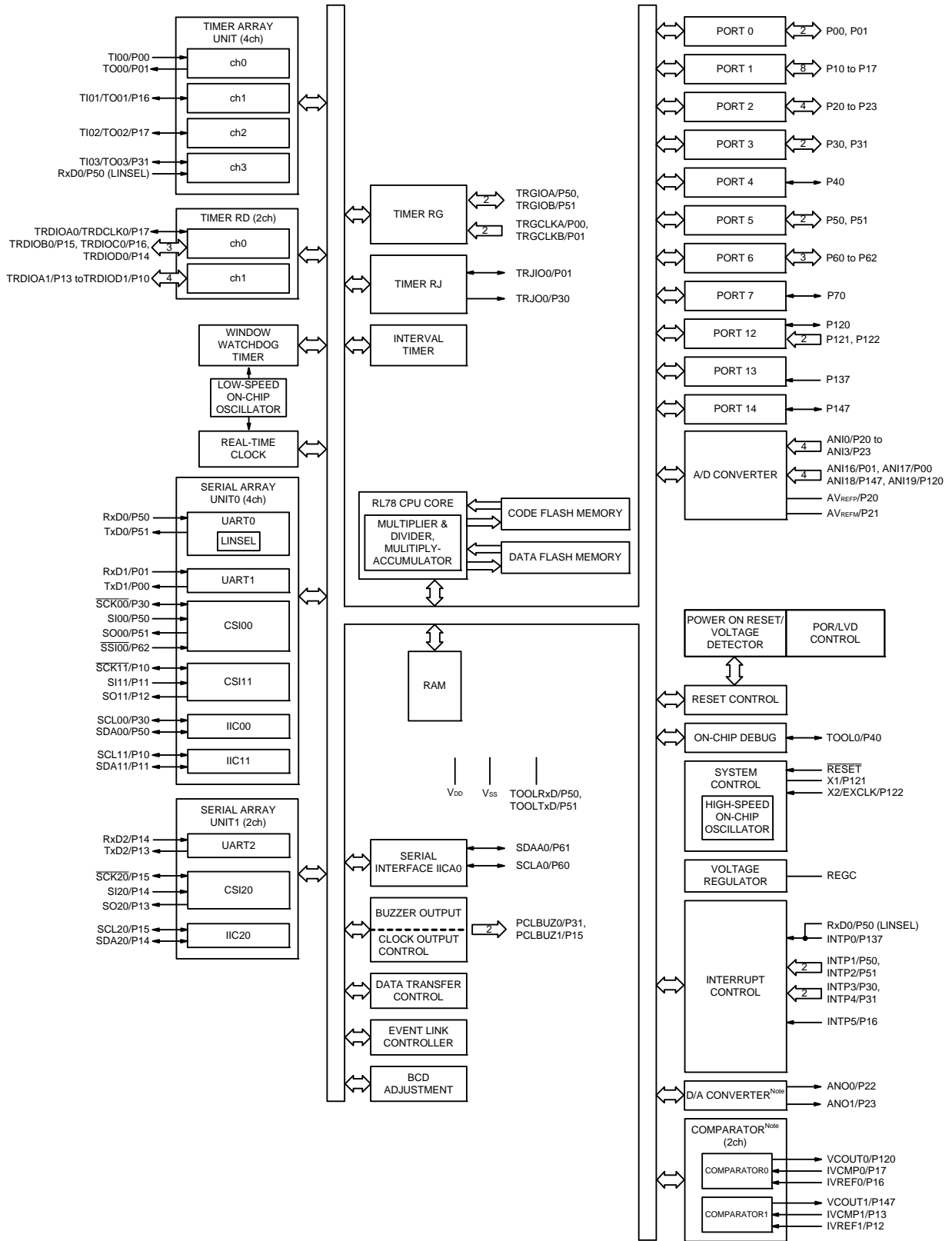
### 1.5 Block Diagram

#### 1.5.1 30-pin products



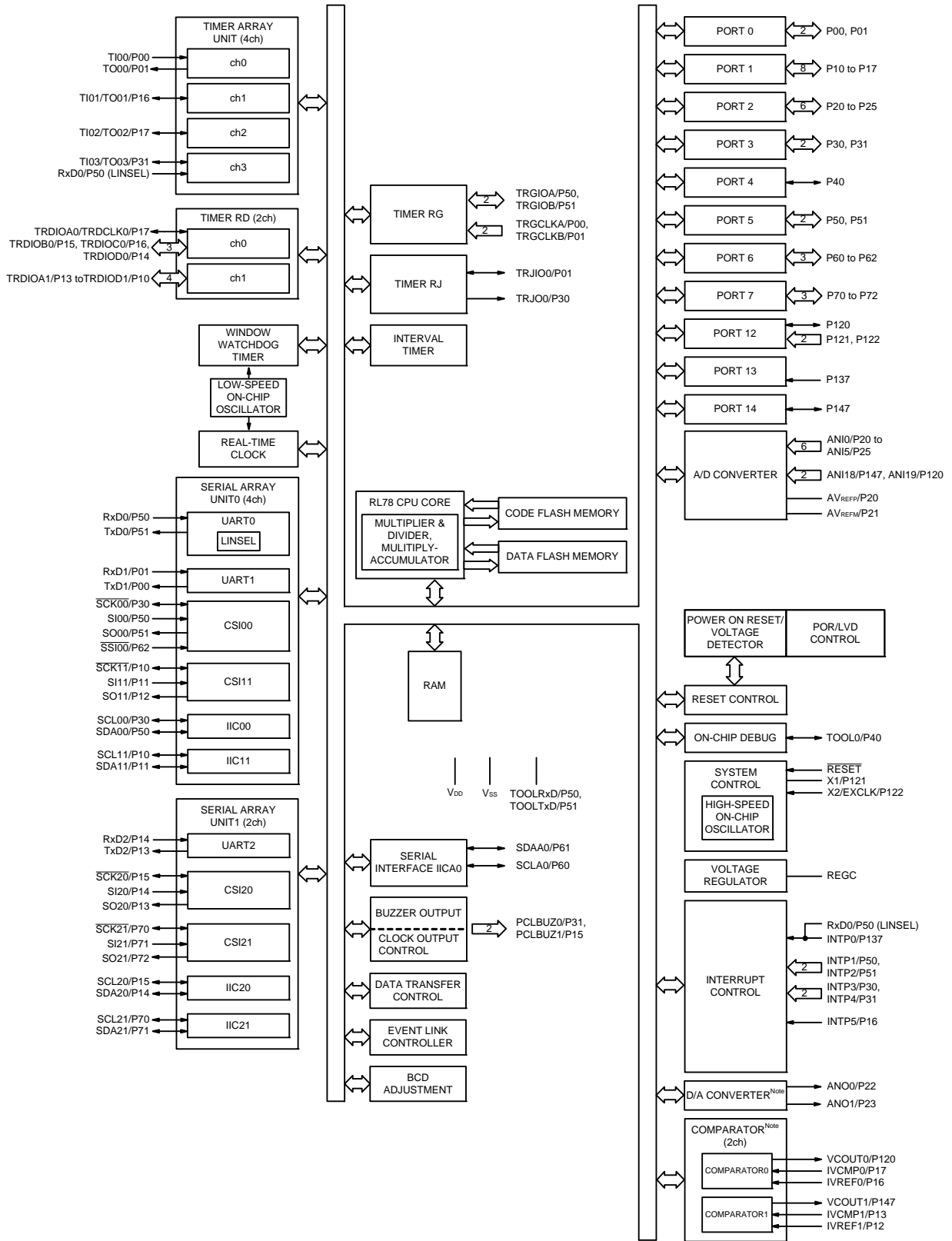
**Note** Mounted on the 96 KB or more code flash memory products.

1.5.2 32-pin products



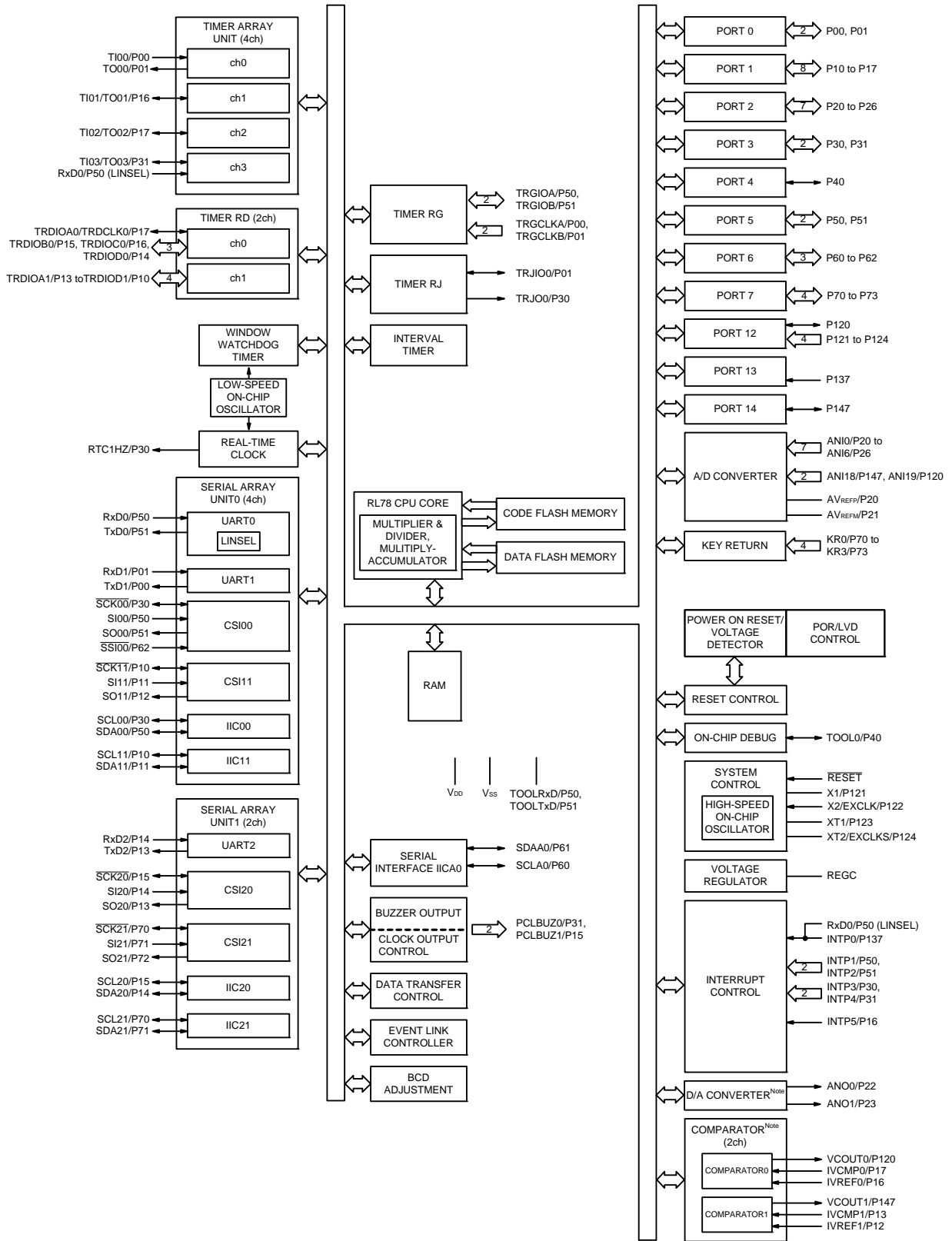
**Note** Mounted on the 96 KB or more code flash memory products.

1.5.3 36-pin products



**Note** Mounted on the 96 KB or more code flash memory products.

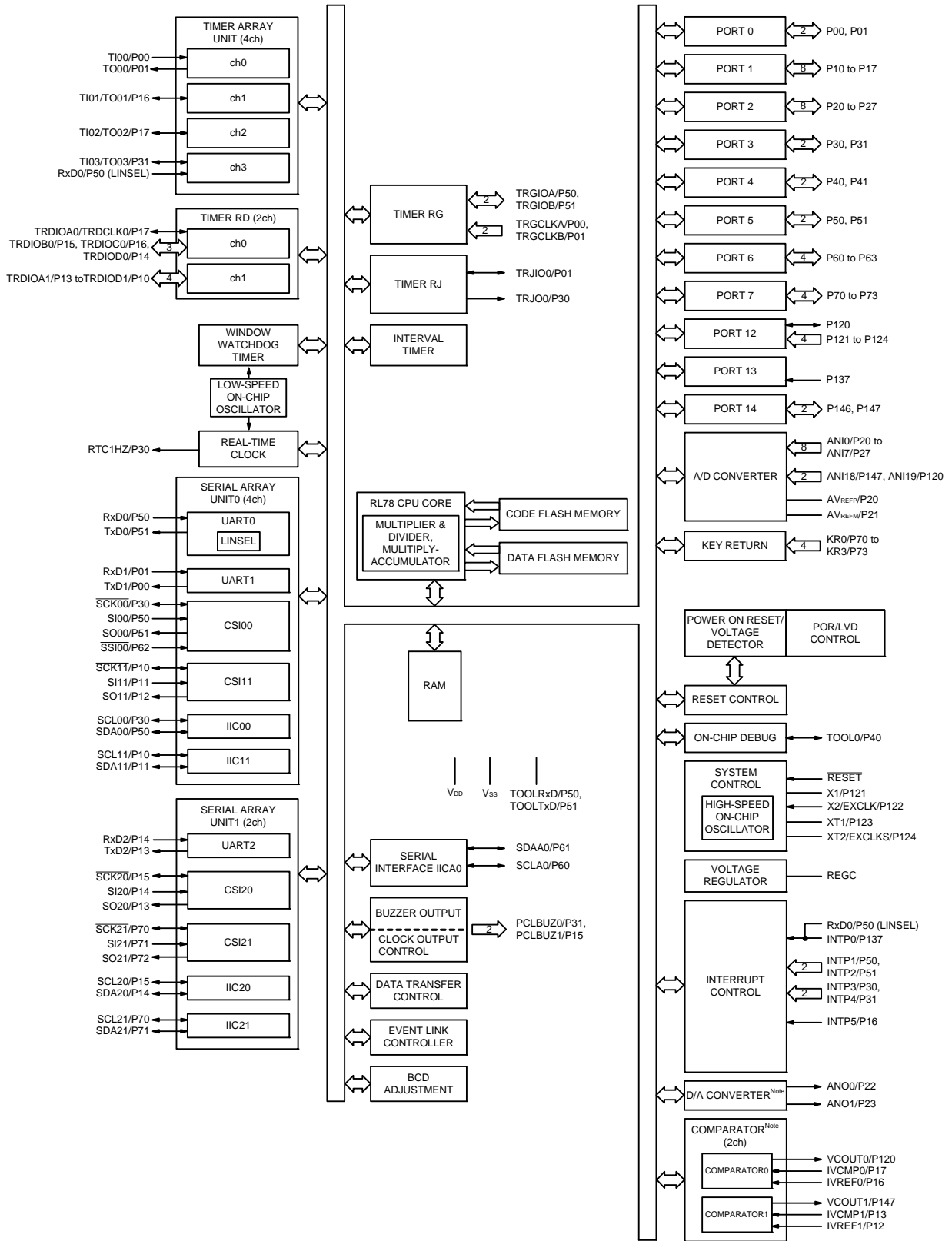
1.5.4 40-pin products



**Note** Mounted on the 96 KB or more code flash memory products.

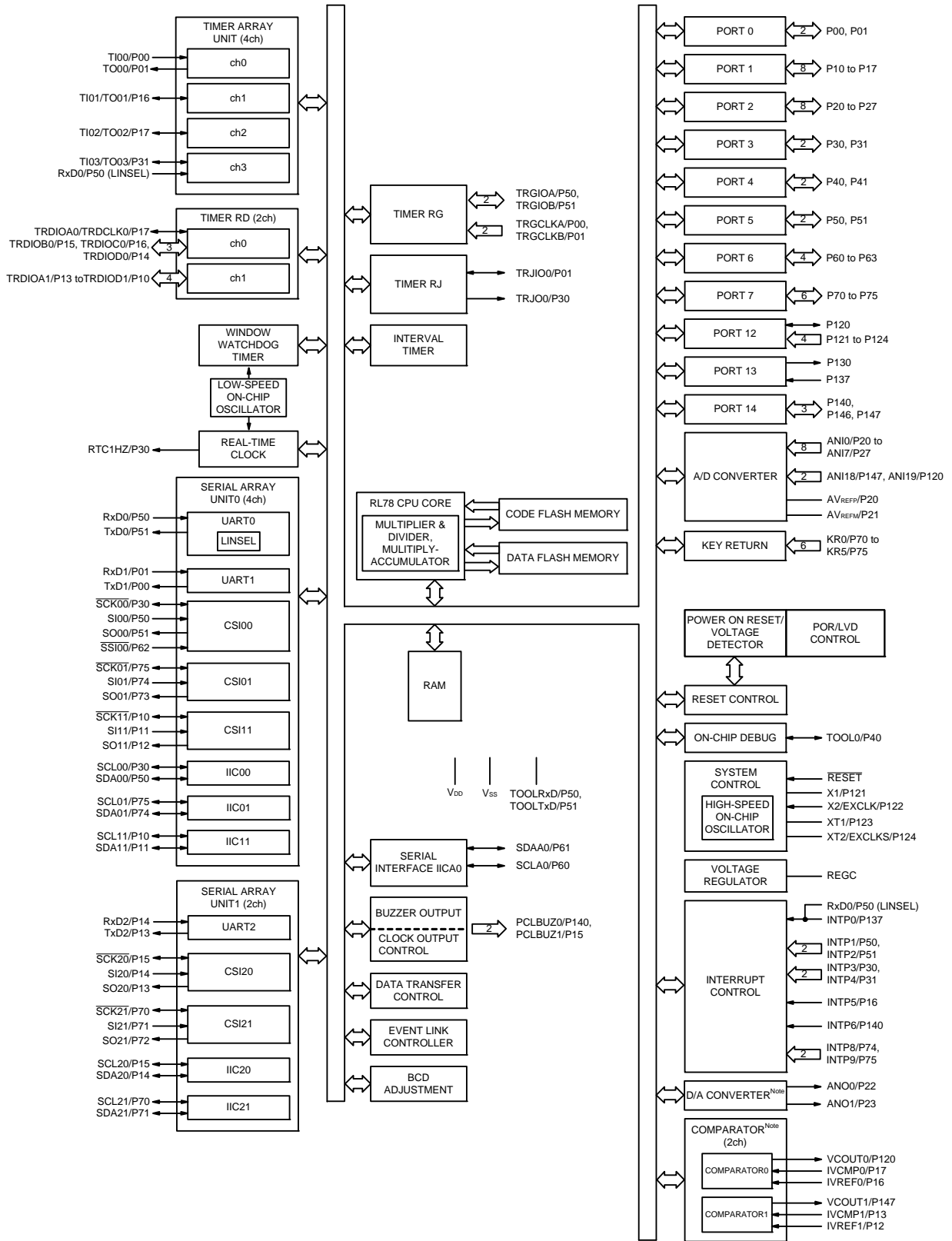


1.5.5 44-pin products



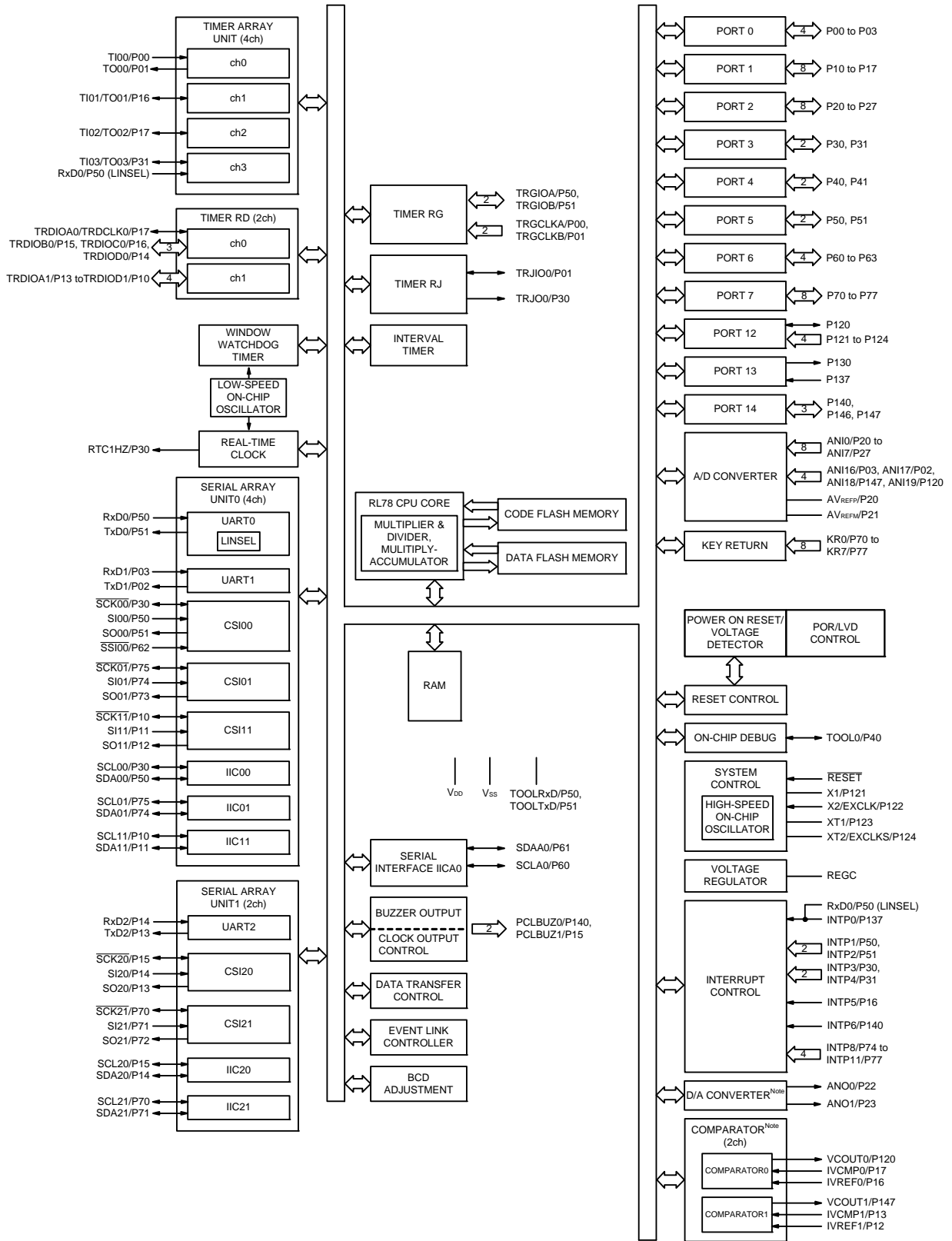
**Note** Mounted on the 96 KB or more code flash memory products.

1.5.6 48-pin products



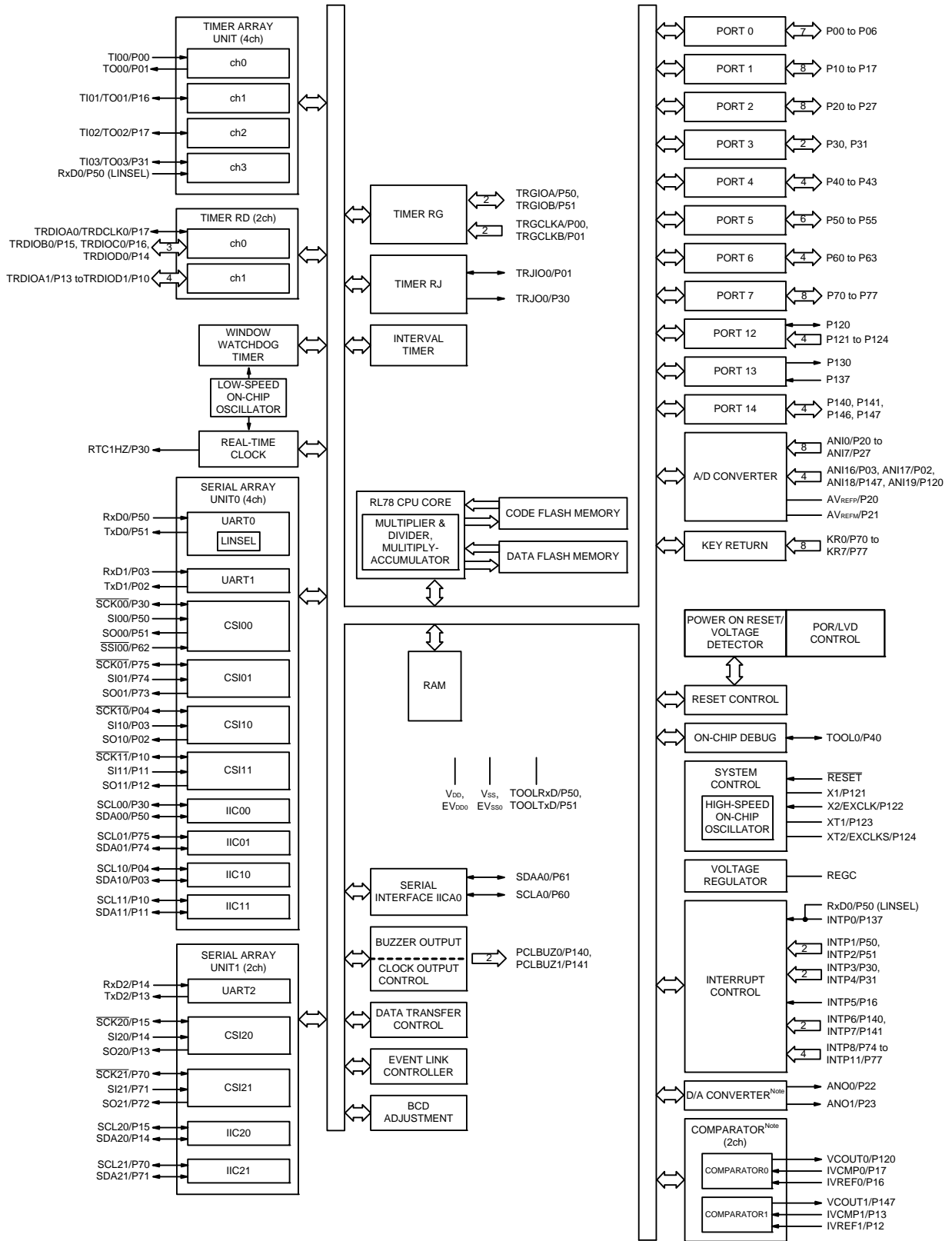
**Note** Mounted on the 96 KB or more code flash memory products.

1.5.7 52-pin products



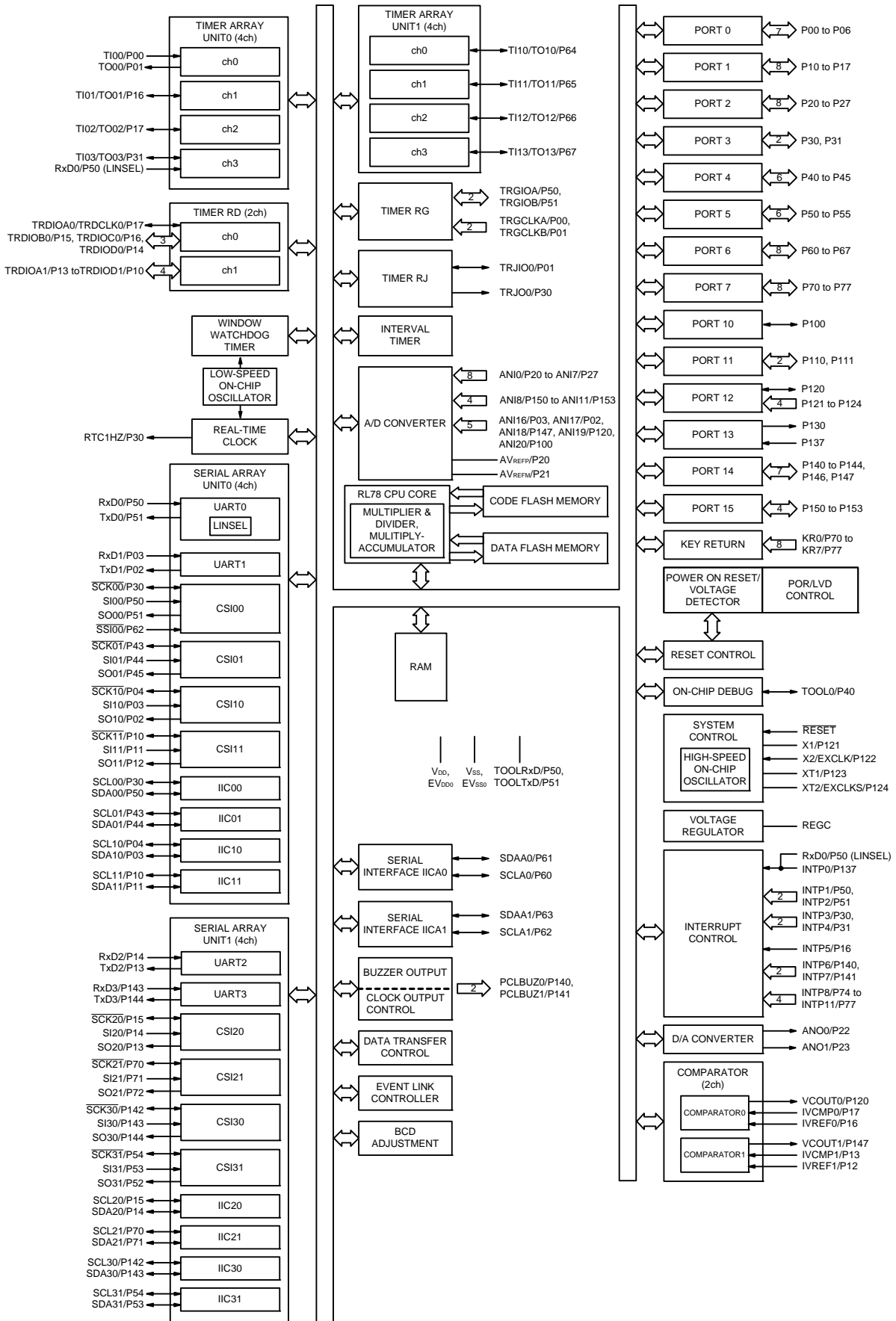
**Note** Mounted on the 96 KB or more code flash memory products.

1.5.8 64-pin products

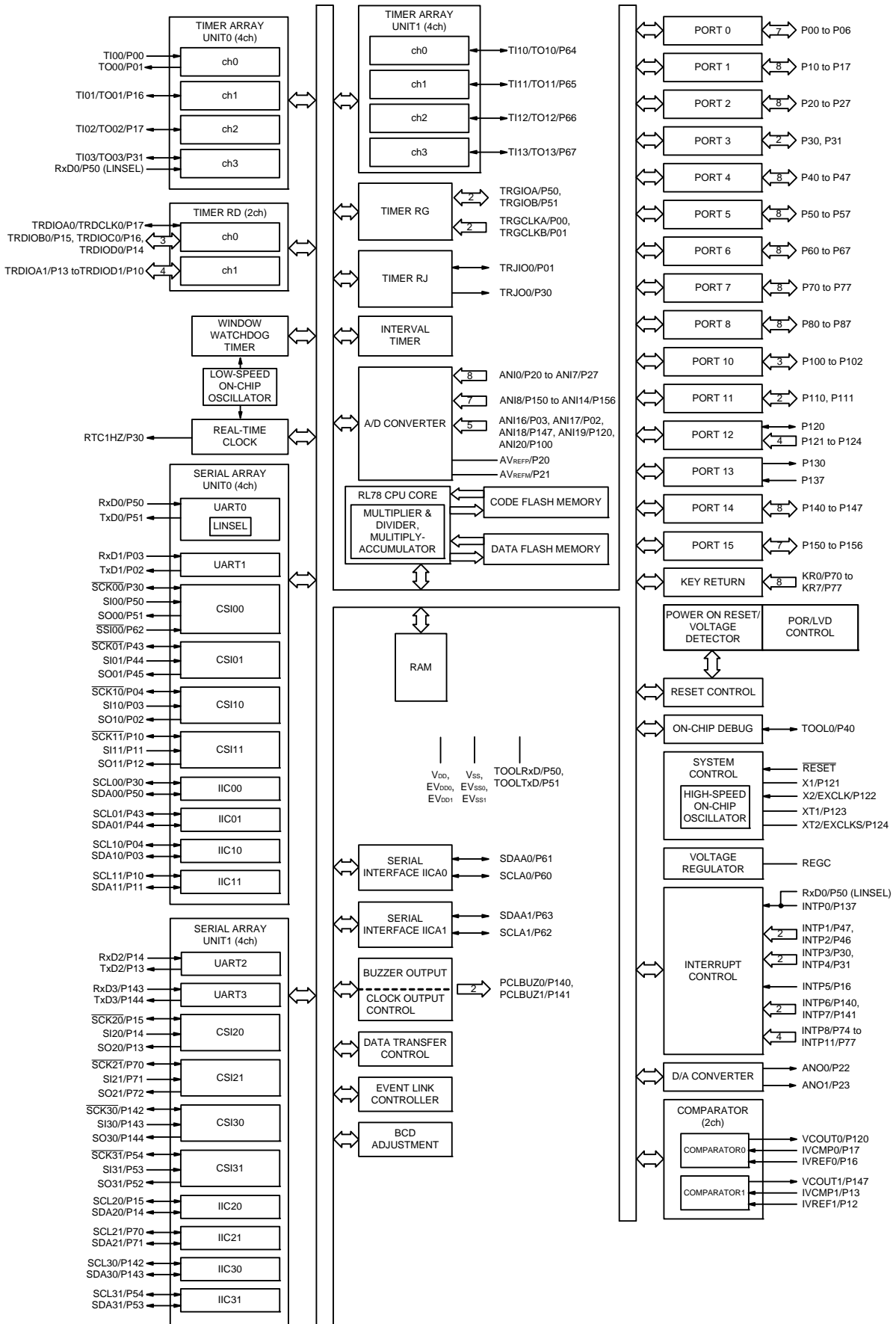


**Note** Mounted on the 96 KB or more code flash memory products.

1.5.9 80-pin products



1.5.10 100-pin products



## 1.6 Outline of Functions

[30-pin, 32-pin, 36-pin, 40-pin products (code flash memory 16 KB to 64 KB)]

**Caution** This outline describes the functions at the time when Peripheral I/O redirection register 0, 1 (PIOR0, 1) are set to 00H.

(1/2)

| Item                               |  | 30-pin   | 32-pin                      | 36-pin                      | 40-pin  |
|------------------------------------|--|--|-----------------------------|-----------------------------|---|
|                                    |  | R5F104Ax<br>(x = A, C to E)  | R5F104Bx<br>(x = A, C to E) | R5F104Cx<br>(x = A, C to E) | R5F104Ex<br>(x = A, C to E)   |
| Code flash memory (KB)             |  | 16 to 64   | 16 to 64                    | 16 to 64                    | 16 to 64  |
| Data flash memory (KB)             |  | 4  | 4                           | 4                           | 4   |
| RAM (KB)                           |  | 2.5 to 5.5 Note  | 2.5 to 5.5 Note             | 2.5 to 5.5 Note             | 2.5 to 5.5 Note   |
| Memory space                       |  | 1 MB   |                             |                             |   |
| Main system clock                  | High-speed system clock                                | X1 (crystal/ceramic) oscillation, external main system clock input (EXCLK)<br>1 to 20 MHz: V <sub>DD</sub> = 2.7 to 5.5 V, 1 to 8 MHz: V <sub>DD</sub> = 1.8 to 2.7 V, 1 to 4 MHz: V <sub>DD</sub> = 1.6 to 1.8 V  |                             |                             |   |
|                                    | High-speed on-chip oscillator clock (f <sub>IH</sub> ) | High-speed operation: 1 to 32 MHz (V <sub>DD</sub> = 2.7 to 5.5 V), High-speed operation: 1 to 16 MHz (V <sub>DD</sub> = 2.4 to 5.5 V), Low-speed operation: 1 to 8 MHz (V <sub>DD</sub> = 1.8 to 5.5 V), Low-voltage operation: 1 to 4 MHz (V <sub>DD</sub> = 1.6 to 5.5 V)   |                             |                             |   |
| Subsystem clock                    |  | —  |                             |                             | XT1 (crystal) oscillation<br>32.768 kHz (TYP.):<br>V <sub>DD</sub> = 1.6 to 5.5 V |
| Low-speed on-chip oscillator clock |  | 15 kHz (TYP.): V <sub>DD</sub> = 1.6 to 5.5 V  |                             |                             |   |
| General-purpose register           |  | 8 bits × 32 registers (8 bits × 8 registers × 4 banks)   |                             |                             |   |
| Minimum instruction execution time |  | 0.03125 μs (High-speed on-chip oscillator clock: f <sub>IH</sub> = 32 MHz operation)   |                             |                             |   |
|                                    |  | 0.05 μs (High-speed system clock: f <sub>MX</sub> = 20 MHz operation)  |                             |                             |   |
|                                    |  | —  |                             |                             | 30.5 μs (Subsystem clock: f <sub>SUB</sub> = 32.768 kHz operation)                |
| Instruction set                    |  | <ul style="list-style-type: none"> <li>• Data transfer (8/16 bits)</li> <li>• Adder and subtractor/logical operation (8/16 bits)</li> <li>• Multiplication (8 bits × 8 bits, 16 bits × 16 bits), Division (16 bits ÷ 16 bits, 32 bits ÷ 32 bits)</li> <li>• Multiplication and Accumulation (16 bits × 16 bits + 32 bits)</li> <li>• Rotate, barrel shift, and bit manipulation (Set, reset, test, and Boolean operation), etc.</li> </ul> |                             |                             |   |
| I/O port                           | Total  | 26   | 28                          | 32                          | 36  |
|                                    | CMOS I/O   | 21   | 22                          | 26                          | 28  |
|                                    | CMOS input   | 3  | 3                           | 3                           | 5   |
|                                    | CMOS output  | —  | —                           | —                           | —   |
|                                    | N-ch open-drain I/O (6 V tolerance)                    | 2  | 3                           | 3                           | 3   |
| Timer                              | 16-bit timer   | 8 channels<br>(TAU: 4 channels, Timer RJ: 1 channel, Timer RD: 2 channels, Timer RG: 1 channel)  |                             |                             |   |
|                                    | Watchdog timer   | 1 channel  |                             |                             |   |
|                                    | Real-time clock (RTC)                                  | 1 channel  |                             |                             |   |
|                                    | 12-bit interval timer                                  | 1 channel  |                             |                             |   |
|                                    | Timer output   | 16<br>(TAU: 4, Timer RJ: 2, Timer RD: 8, Timer RG: 2)<br>PWM outputs: 10 (TAU: 3, Timer RD: 6, Timer RG: 1)  |                             |                             |   |
|                                    | RTC output   | —  |                             |                             | 1<br>• 1 Hz<br>(subsystem clock: f <sub>SUB</sub> = 32.768 kHz)                   |

**Note** In the case of the 5.5 KB, this is about 4.5 KB when the self-programming function and data flash function are used.

(2/2)

| Item                              | 30-pin   | 32-pin                      | 36-pin                      | 40-pin                      |
|-----------------------------------|--|-----------------------------|-----------------------------|-----------------------------|
|                                   | R5F104Ax<br>(x = A, C to E)  | R5F104Bx<br>(x = A, C to E) | R5F104Cx<br>(x = A, C to E) | R5F104Ex<br>(x = A, C to E) |
| Clock output/buzzer output        | 2  | 2                           | 2                           | 2                           |
|                                   | [30-pin, 32-pin, 36-pin products]<br>• 2.44 kHz, 4.88 kHz, 9.76 kHz, 1.25 MHz, 2.5 MHz, 5 MHz, 10 MHz<br>(Main system clock: $f_{MAIN} = 20$ MHz operation)<br>[40-pin products]<br>• 2.44 kHz, 4.88 kHz, 9.76 kHz, 1.25 MHz, 2.5 MHz, 5 MHz, 10 MHz<br>(Main system clock: $f_{MAIN} = 20$ MHz operation)<br>• 256 Hz, 512 Hz, 1.024 kHz, 2.048 kHz, 4.096 kHz, 8.192 kHz, 16.384 kHz, 32.768 kHz<br>(Subsystem clock: $f_{SUB} = 32.768$ kHz operation)  |                             |                             |                             |
| 8/10-bit resolution A/D converter | 8 channels   | 8 channels                  | 8 channels                  | 9 channels                  |
| Serial interface                  | [30-pin, 32-pin products]<br>• CSI: 1 channel/UART (UART supporting LIN-bus): 1 channel/simplified I <sup>2</sup> C: 1 channel<br>• CSI: 1 channel/UART: 1 channel/simplified I <sup>2</sup> C: 1 channel<br>• CSI: 1 channel/UART: 1 channel/simplified I <sup>2</sup> C: 1 channel<br>[36-pin, 40-pin products]<br>• CSI: 1 channel/UART (UART supporting LIN-bus): 1 channel/simplified I <sup>2</sup> C: 1 channel<br>• CSI: 1 channel/UART: 1 channel/simplified I <sup>2</sup> C: 1 channel<br>• CSI: 2 channels/UART: 1 channel/simplified I <sup>2</sup> C: 2 channels |                             |                             |                             |
| I <sup>2</sup> C bus              | 1 channel  | 1 channel                   | 1 channel                   | 1 channel                   |
| Data transfer controller (DTC)    | 28 sources   |                             |                             | 29 sources                  |
| Event link controller (ELC)       | Event input: 20<br>Event trigger output: 7   |                             |                             |                             |
| Vectored interrupt sources        | Internal   | 24                          | 24                          | 24                          |
|                                   | External   | 6                           | 6                           | 7                           |
| Key interrupt                     | —  | —                           | —                           | 4                           |
| Reset                             | <ul style="list-style-type: none"> <li>Reset by <math>\overline{RESET}</math> pin</li> <li>Internal reset by watchdog timer</li> <li>Internal reset by power-on-reset</li> <li>Internal reset by voltage detector</li> <li>Internal reset by illegal instruction execution <sup>Note</sup></li> <li>Internal reset by RAM parity error</li> <li>Internal reset by illegal-memory access</li> </ul>   |                             |                             |                             |
| Power-on-reset circuit            | <ul style="list-style-type: none"> <li>Power-on-reset: 1.51 ±0.03 V</li> <li>Power-down-reset: 1.50 ±0.03 V</li> </ul>   |                             |                             |                             |
| Voltage detector                  | 1.63 V to 4.06 V (14 stages)   |                             |                             |                             |
| On-chip debug function            | Provided   |                             |                             |                             |
| Power supply voltage              | $V_{DD} = 1.6$ to 5.5 V  |                             |                             |                             |
| Operating ambient temperature     | $T_A = -40$ to +85 °C  |                             |                             |                             |

**Note** The illegal instruction is generated when instruction code FFH is executed.  
 Reset by the illegal instruction execution not is issued by emulation with the in-circuit emulator or on-chip debug emulator.



[30-pin, 32-pin, 36-pin, 40-pin products (code flash memory 96 KB to 256 KB)]

**Caution** This outline describes the functions at the time when Peripheral I/O redirection register 0, 1 (PIOR0, 1) are set to 00H.

(1/2)

| Item                               |  | 30-pin   | 32-pin                 | 36-pin                 | 40-pin   |
|------------------------------------|--|--|------------------------|------------------------|--|
|                                    |  | R5F104Ax<br>(x = F, G)   | R5F104Bx<br>(x = F, G) | R5F104Cx<br>(x = F, G) | R5F104Ex<br>(x = F to H)   |
| Code flash memory (KB)             |  | 96 to 128  | 96 to 128              | 96 to 128              | 96 to 192  |
| Data flash memory (KB)             |  | 8  | 8                      | 8                      | 8  |
| RAM (KB)                           |  | 12 to 16   | 12 to 16               | 12 to 16               | 12 to 20   |
| Memory space                       |  | 1 MB   |                        |                        |  |
| Main system clock                  | High-speed system clock                                | X1 (crystal/ceramic) oscillation, external main system clock input (EXCLK)<br>1 to 20 MHz: V <sub>DD</sub> = 2.7 to 5.5 V, 1 to 8 MHz: V <sub>DD</sub> = 1.8 to 2.7 V, 1 to 4 MHz: V <sub>DD</sub> = 1.6 to 1.8 V  |                        |                        |  |
|                                    | High-speed on-chip oscillator clock (f <sub>IH</sub> ) | High-speed operation: 1 to 32 MHz (V <sub>DD</sub> = 2.7 to 5.5 V), High-speed operation: 1 to 16 MHz (V <sub>DD</sub> = 2.4 to 5.5 V), Low-speed operation: 1 to 8 MHz (V <sub>DD</sub> = 1.8 to 5.5 V), Low-voltage operation: 1 to 4 MHz (V <sub>DD</sub> = 1.6 to 5.5 V)   |                        |                        |  |
| Subsystem clock                    |  | —  |                        |                        | XT1 (crystal) oscillation<br>32.768 kHz (TYP):<br>V <sub>DD</sub> = 1.6 to 5.5 V |
| Low-speed on-chip oscillator clock |  | 15 kHz (TYP): V <sub>DD</sub> = 1.6 to 5.5 V   |                        |                        |  |
| General-purpose register           |  | 8 bits × 32 registers (8 bits × 8 registers × 4 banks)   |                        |                        |  |
| Minimum instruction execution time |  | 0.03125 μs (High-speed on-chip oscillator clock: f <sub>IH</sub> = 32 MHz operation)   |                        |                        |  |
|                                    |  | 0.05 μs (High-speed system clock: f <sub>MX</sub> = 20 MHz operation)  |                        |                        |  |
|                                    |  | —  |                        |                        | 30.5 μs (Subsystem clock: f <sub>SUB</sub> = 32.768 kHz operation)               |
| Instruction set                    |  | <ul style="list-style-type: none"> <li>• Data transfer (8/16 bits)</li> <li>• Adder and subtractor/logical operation (8/16 bits)</li> <li>• Multiplication (8 bits × 8 bits, 16 bits × 16 bits), Division (16 bits ÷ 16 bits, 32 bits ÷ 32 bits)</li> <li>• Multiplication and Accumulation (16 bits × 16 bits + 32 bits)</li> <li>• Rotate, barrel shift, and bit manipulation (Set, reset, test, and Boolean operation), etc.</li> </ul> |                        |                        |  |
| I/O port                           | Total  | 26   | 28                     | 32                     | 36   |
|                                    | CMOS I/O   | 21   | 22                     | 26                     | 28   |
|                                    | CMOS input   | 3  | 3                      | 3                      | 5  |
|                                    | CMOS output  | —  | —                      | —                      | —  |
|                                    | N-ch open-drain I/O (6 V tolerance)                    | 2  | 3                      | 3                      | 3  |
| Timer                              | 16-bit timer   | 8 channels<br>(TAU: 4 channels, Timer RJ: 1 channel, Timer RD: 2 channels, Timer RG: 1 channel)  |                        |                        |  |
|                                    | Watchdog timer   | 1 channel  |                        |                        |  |
|                                    | Real-time clock (RTC)                                  | 1 channel  |                        |                        |  |
|                                    | 12-bit interval timer                                  | 1 channel  |                        |                        |  |
|                                    | Timer output   | 16<br>(TAU: 4, Timer RJ: 2, Timer RD: 8, Timer RG: 2)<br>PWM outputs: 10 (TAU: 3, Timer RD: 6, Timer RG: 1)  |                        |                        |  |
|                                    | RTC output   | —  |                        |                        | 1<br>• 1 Hz<br>(subsystem clock: f <sub>SUB</sub> = 32.768 kHz)                  |

(2/2)

| Item                              | 30-pin   | 32-pin                 | 36-pin                 | 40-pin                   |
|-----------------------------------|--|------------------------|------------------------|--------------------------|
|                                   | R5F104Ax<br>(x = F, G)   | R5F104Bx<br>(x = F, G) | R5F104Cx<br>(x = F, G) | R5F104Ex<br>(x = F to H) |
| Clock output/buzzer output        | 2  | 2                      | 2                      | 2                        |
|                                   | [30-pin, 32-pin, 36-pin products]<br>• 2.44 kHz, 4.88 kHz, 9.76 kHz, 1.25 MHz, 2.5 MHz, 5 MHz, 10 MHz<br>(Main system clock: $f_{MAIN} = 20$ MHz operation)<br>[40-pin products]<br>• 2.44 kHz, 4.88 kHz, 9.76 kHz, 1.25 MHz, 2.5 MHz, 5 MHz, 10 MHz<br>(Main system clock: $f_{MAIN} = 20$ MHz operation)<br>• 256 Hz, 512 Hz, 1.024 kHz, 2.048 kHz, 4.096 kHz, 8.192 kHz, 16.384 kHz, 32.768 kHz<br>(Subsystem clock: $f_{SUB} = 32.768$ kHz operation)  |                        |                        |                          |
| 8/10-bit resolution A/D converter | 8 channels   | 8 channels             | 8 channels             | 9 channels               |
| D/A converter                     | 1 channel  | 2 channels             |                        |                          |
| Comparator                        | 2 channels   |                        |                        |                          |
| Serial interface                  | [30-pin, 32-pin products]<br>• CSI: 1 channel/UART (UART supporting LIN-bus): 1 channel/simplified I <sup>2</sup> C: 1 channel<br>• CSI: 1 channel/UART: 1 channel/simplified I <sup>2</sup> C: 1 channel<br>• CSI: 1 channel/UART: 1 channel/simplified I <sup>2</sup> C: 1 channel<br>[36-pin, 40-pin products]<br>• CSI: 1 channel/UART (UART supporting LIN-bus): 1 channel/simplified I <sup>2</sup> C: 1 channel<br>• CSI: 1 channel/UART: 1 channel/simplified I <sup>2</sup> C: 1 channel<br>• CSI: 2 channels/UART: 1 channel/simplified I <sup>2</sup> C: 2 channels |                        |                        |                          |
|                                   | I <sup>2</sup> C bus   | 1 channel              | 1 channel              | 1 channel                |
| Data transfer controller (DTC)    | 28 sources   |                        |                        | 29 sources               |
| Event link controller (ELC)       | Event input: 20<br>Event trigger output: 7   |                        |                        |                          |
| Vectored interrupt sources        | Internal   | 24                     | 24                     | 24                       |
|                                   | External   | 6                      | 6                      | 7                        |
| Key interrupt                     | —  |                        | —                      | 4                        |
| Reset                             | <ul style="list-style-type: none"> <li>• Reset by RESET pin</li> <li>• Internal reset by watchdog timer</li> <li>• Internal reset by power-on-reset</li> <li>• Internal reset by voltage detector</li> <li>• Internal reset by illegal instruction execution <sup>Note</sup></li> <li>• Internal reset by RAM parity error</li> <li>• Internal reset by illegal-memory access</li> </ul>   |                        |                        |                          |
| Power-on-reset circuit            | <ul style="list-style-type: none"> <li>• Power-on-reset: 1.51 ±0.03 V</li> <li>• Power-down-reset: 1.50 ±0.03 V</li> </ul>   |                        |                        |                          |
| Voltage detector                  | 1.63 V to 4.06 V (14 stages)   |                        |                        |                          |
| On-chip debug function            | Provided   |                        |                        |                          |
| Power supply voltage              | V <sub>DD</sub> = 1.6 to 5.5 V   |                        |                        |                          |
| Operating ambient temperature     | T <sub>A</sub> = -40 to +85 °C   |                        |                        |                          |

**Note** The illegal instruction is generated when instruction code FFH is executed.  
Reset by the illegal instruction execution not is issued by emulation with the in-circuit emulator or on-chip debug emulator.

[44-pin, 48-pin, 52-pin, 64-pin products (code flash memory 16 KB to 64 KB)]

**Caution** This outline describes the functions at the time when Peripheral I/O redirection register 0, 1 (PIOR0, 1) are set to 00H.

(1/2)

| Item                               |  | 44-pin   | 48-pin                      | 52-pin                   | 64-pin                   |
|------------------------------------|--|--|-----------------------------|--------------------------|--------------------------|
|                                    |  | R5F104Fx<br>(x = A, C to E)  | R5F104Gx<br>(x = A, C to E) | R5F104Jx<br>(x = C to E) | R5F104Lx<br>(x = C to E) |
| Code flash memory (KB)             |  | 16 to 64   | 16 to 64                    | 32 to 64                 | 32 to 64                 |
| Data flash memory (KB)             |  | 4  | 4                           | 4                        | 4                        |
| RAM (KB)                           |  | 2.5 to 5.5 Note  | 2.5 to 5.5 Note             | 4 to 5.5 Note            | 4 to 5.5 Note            |
| Memory space                       |  | 1 MB   |                             |                          |                          |
| Main system clock                  | High-speed system clock                                | X1 (crystal/ceramic) oscillation, external main system clock input (EXCLK)<br>1 to 20 MHz: V <sub>DD</sub> = 2.7 to 5.5 V, 1 to 8 MHz: V <sub>DD</sub> = 1.8 to 2.7 V, 1 to 4 MHz: V <sub>DD</sub> = 1.6 to 1.8 V  |                             |                          |                          |
|                                    | High-speed on-chip oscillator clock (f <sub>IH</sub> ) | High-speed operation: 1 to 32 MHz (V <sub>DD</sub> = 2.7 to 5.5 V), High-speed operation: 1 to 16 MHz (V <sub>DD</sub> = 2.4 to 5.5 V), Low-speed operation: 1 to 8 MHz (V <sub>DD</sub> = 1.8 to 5.5 V), Low-voltage operation: 1 to 4 MHz (V <sub>DD</sub> = 1.6 to 5.5 V)   |                             |                          |                          |
| Subsystem clock                    |  | XT1 (crystal) oscillation<br>32.768 kHz (TYP.): V <sub>DD</sub> = 1.6 to 5.5 V   |                             |                          |                          |
| Low-speed on-chip oscillator clock |  | 15 kHz (TYP.): V <sub>DD</sub> = 1.6 to 5.5 V  |                             |                          |                          |
| General-purpose register           |  | 8 bits × 32 registers (8 bits × 8 registers × 4 banks)   |                             |                          |                          |
| Minimum instruction execution time |  | 0.03125 μs (High-speed on-chip oscillator clock: f <sub>IH</sub> = 32 MHz operation)   |                             |                          |                          |
|                                    |  | 0.05 μs (High-speed system clock: f <sub>MX</sub> = 20 MHz operation)  |                             |                          |                          |
|                                    |  | 30.5 μs (Subsystem clock: f <sub>SUB</sub> = 32.768 kHz operation)   |                             |                          |                          |
| Instruction set                    |  | <ul style="list-style-type: none"> <li>• Data transfer (8/16 bits)</li> <li>• Adder and subtractor/logical operation (8/16 bits)</li> <li>• Multiplication (8 bits × 8 bits, 16 bits × 16 bits), Division (16 bits ÷ 16 bits, 32 bits ÷ 32 bits)</li> <li>• Multiplication and Accumulation (16 bits × 16 bits + 32 bits)</li> <li>• Rotate, barrel shift, and bit manipulation (Set, reset, test, and Boolean operation), etc.</li> </ul> |                             |                          |                          |
| I/O port                           | Total  | 40   | 44                          | 48                       | 58                       |
|                                    | CMOS I/O   | 31   | 34                          | 38                       | 48                       |
|                                    | CMOS input   | 5  | 5                           | 5                        | 5                        |
|                                    | CMOS output  | —  | 1                           | 1                        | 1                        |
|                                    | N-ch open-drain I/O (6 V tolerance)                    | 4  | 4                           | 4                        | 4                        |
| Timer                              | 16-bit timer   | 8 channels<br>(TAU: 4 channels, Timer RJ: 1 channel, Timer RD: 2 channels, Timer RG: 1 channel)  |                             |                          |                          |
|                                    | Watchdog timer   | 1 channel  |                             |                          |                          |
|                                    | Real-time clock (RTC)                                  | 1 channel  |                             |                          |                          |
|                                    | 12-bit interval timer                                  | 1 channel  |                             |                          |                          |
|                                    | Timer output   | 16<br>(TAU: 4, Timer RJ: 2, Timer RD: 8, Timer RG: 2)<br>PWM outputs: 10 (TAU: 3, Timer RD: 6, Timer RG: 1)  |                             |                          |                          |
|                                    | RTC output   | 1<br>• 1 Hz (subsystem clock: f <sub>SUB</sub> = 32.768 kHz)   |                             |                          |                          |

**Note** In the case of the 5.5 KB, this is about 4.5 KB when the self-programming function and data flash function are used.

(2/2)

| Item                              | 44-pin   | 48-pin                      | 52-pin                   | 64-pin                   |           |
|-----------------------------------|--|-----------------------------|--------------------------|--------------------------|-----------|
|                                   | R5F104Fx<br>(x = A, C to E)  | R5F104Gx<br>(x = A, C to E) | R5F104Jx<br>(x = C to E) | R5F104Lx<br>(x = C to E) |           |
| Clock output/buzzer output        | 2  | 2                           | 2                        | 2                        |           |
|                                   | <ul style="list-style-type: none"> <li>• 2.44 kHz, 4.88 kHz, 9.76 kHz, 1.25 MHz, 2.5 MHz, 5 MHz, 10 MHz<br/>(Main system clock: f<sub>MAIN</sub> = 20 MHz operation)</li> <li>• 256 Hz, 512 Hz, 1.024 kHz, 2.048 kHz, 4.096 kHz, 8.192 kHz, 16.384 kHz, 32.768 kHz<br/>(Subsystem clock: f<sub>SUB</sub> = 32.768 kHz operation)</li> </ul>  |                             |                          |                          |           |
| 8/10-bit resolution A/D converter | 10 channels  | 10 channels                 | 12 channels              | 12 channels              |           |
| Serial interface                  | [44-pin products]<br><ul style="list-style-type: none"> <li>• CSI: 1 channel/UART (UART supporting LIN-bus): 1 channel/simplified I<sup>2</sup>C: 1 channel</li> <li>• CSI: 1 channel/UART: 1 channel/simplified I<sup>2</sup>C: 1 channel</li> <li>• CSI: 2 channels/UART: 1 channel/simplified I<sup>2</sup>C: 2 channels</li> </ul> [48-pin, 52-pin products]<br><ul style="list-style-type: none"> <li>• CSI: 2 channels/UART (UART supporting LIN-bus): 1 channel/simplified I<sup>2</sup>C: 2 channels</li> <li>• CSI: 1 channel/UART: 1 channel/simplified I<sup>2</sup>C: 1 channel</li> <li>• CSI: 2 channels/UART: 1 channel/simplified I<sup>2</sup>C: 2 channels</li> </ul> [64-pin products]<br><ul style="list-style-type: none"> <li>• CSI: 2 channels/UART (UART supporting LIN-bus): 1 channel/simplified I<sup>2</sup>C: 2 channels</li> <li>• CSI: 2 channels/UART: 1 channel/simplified I<sup>2</sup>C: 2 channels</li> <li>• CSI: 2 channels/UART: 1 channel/simplified I<sup>2</sup>C: 2 channels</li> </ul> |                             |                          |                          |           |
|                                   | I <sup>2</sup> C bus   | 1 channel                   | 1 channel                | 1 channel                | 1 channel |
| Data transfer controller (DTC)    | 29 sources   | 30 sources                  |                          | 31 sources               |           |
| Event link controller (ELC)       | Event input: 20<br>Event trigger output: 7   |                             |                          |                          |           |
| Vectored interrupt sources        | Internal   | 24                          | 24                       | 24                       | 24        |
|                                   | External   | 7                           | 10                       | 12                       | 13        |
| Key interrupt                     | 4  | 6                           | 8                        | 8                        |           |
| Reset                             | <ul style="list-style-type: none"> <li>• Reset by <math>\overline{\text{RESET}}</math> pin</li> <li>• Internal reset by watchdog timer</li> <li>• Internal reset by power-on-reset</li> <li>• Internal reset by voltage detector</li> <li>• Internal reset by illegal instruction execution <sup>Note</sup></li> <li>• Internal reset by RAM parity error</li> <li>• Internal reset by illegal-memory access</li> </ul>  |                             |                          |                          |           |
| Power-on-reset circuit            | <ul style="list-style-type: none"> <li>• Power-on-reset: 1.51 ±0.03 V</li> <li>• Power-down-reset: 1.50 ±0.03 V</li> </ul>   |                             |                          |                          |           |
| Voltage detector                  | 1.63 V to 4.06 V (14 stages)   |                             |                          |                          |           |
| On-chip debug function            | Provided   |                             |                          |                          |           |
| Power supply voltage              | V <sub>DD</sub> = 1.6 to 5.5 V   |                             |                          |                          |           |
| Operating ambient temperature     | T <sub>A</sub> = -40 to +85 °C   |                             |                          |                          |           |

**Note** The illegal instruction is generated when instruction code FFH is executed.  
Reset by the illegal instruction execution is not issued by emulation with the in-circuit emulator or on-chip debug emulator.

[44-pin, 48-pin, 52-pin, 64-pin products (code flash memory 96 KB to 256 KB)]

**Caution** This outline describes the functions at the time when Peripheral I/O redirection register 0, 1 (PIOR0, 1) are set to 00H.

(1/2)

| Item                               |  | 44-pin   | 48-pin                      | 52-pin                      | 64-pin                      |
|------------------------------------|--|--|-----------------------------|-----------------------------|-----------------------------|
|                                    |  | R5F104Fx<br>(x = F to H, J)  | R5F104Gx<br>(x = F to H, J) | R5F104Jx<br>(x = F to H, J) | R5F104Lx<br>(x = F to H, J) |
| Code flash memory (KB)             |  | 96 to 256  | 96 to 256                   | 96 to 256                   | 96 to 256                   |
| Data flash memory (KB)             |  | 8  | 8                           | 8                           | 8                           |
| RAM (KB)                           |  | 12 to 24 Note  | 12 to 24 Note               | 12 to 24 Note               | 12 to 24 Note               |
| Memory space                       |  | 1 MB   |                             |                             |                             |
| Main system clock                  | High-speed system clock                                | X1 (crystal/ceramic) oscillation, external main system clock input (EXCLK)<br>1 to 20 MHz: V <sub>DD</sub> = 2.7 to 5.5 V, 1 to 8 MHz: V <sub>DD</sub> = 1.8 to 2.7 V, 1 to 4 MHz: V <sub>DD</sub> = 1.6 to 1.8 V  |                             |                             |                             |
|                                    | High-speed on-chip oscillator clock (f <sub>IH</sub> ) | High-speed operation: 1 to 32 MHz (V <sub>DD</sub> = 2.7 to 5.5 V), High-speed operation: 1 to 16 MHz (V <sub>DD</sub> = 2.4 to 5.5 V), Low-speed operation: 1 to 8 MHz (V <sub>DD</sub> = 1.8 to 5.5 V), Low-voltage operation: 1 to 4 MHz (V <sub>DD</sub> = 1.6 to 5.5 V)   |                             |                             |                             |
| Subsystem clock                    |  | XT1 (crystal) oscillation<br>32.768 kHz (TYP.): V <sub>DD</sub> = 1.6 to 5.5 V   |                             |                             |                             |
| Low-speed on-chip oscillator clock |  | 15 kHz (TYP.): V <sub>DD</sub> = 1.6 to 5.5 V  |                             |                             |                             |
| General-purpose register           |  | 8 bits × 32 registers (8 bits × 8 registers × 4 banks)   |                             |                             |                             |
| Minimum instruction execution time |  | 0.03125 μs (High-speed on-chip oscillator clock: f <sub>IH</sub> = 32 MHz operation)   |                             |                             |                             |
|                                    |  | 0.05 μs (High-speed system clock: f <sub>MX</sub> = 20 MHz operation)  |                             |                             |                             |
|                                    |  | 30.5 μs (Subsystem clock: f <sub>SUB</sub> = 32.768 kHz operation)   |                             |                             |                             |
| Instruction set                    |  | <ul style="list-style-type: none"> <li>• Data transfer (8/16 bits)</li> <li>• Adder and subtractor/logical operation (8/16 bits)</li> <li>• Multiplication (8 bits × 8 bits, 16 bits × 16 bits), Division (16 bits ÷ 16 bits, 32 bits ÷ 32 bits)</li> <li>• Multiplication and Accumulation (16 bits × 16 bits + 32 bits)</li> <li>• Rotate, barrel shift, and bit manipulation (Set, reset, test, and Boolean operation), etc.</li> </ul> |                             |                             |                             |
| I/O port                           | Total  | 40   | 44                          | 48                          | 58                          |
|                                    | CMOS I/O   | 31   | 34                          | 38                          | 48                          |
|                                    | CMOS input   | 5  | 5                           | 5                           | 5                           |
|                                    | CMOS output  | —  | 1                           | 1                           | 1                           |
|                                    | N-ch open-drain I/O (6 V tolerance)                    | 4  | 4                           | 4                           | 4                           |
| Timer                              | 16-bit timer   | 8 channels<br>(TAU: 4 channels, Timer RJ: 1 channel, Timer RD: 2 channels, Timer RG: 1 channel)  |                             |                             |                             |
|                                    | Watchdog timer   | 1 channel  |                             |                             |                             |
|                                    | Real-time clock (RTC)                                  | 1 channel  |                             |                             |                             |
|                                    | 12-bit interval timer                                  | 1 channel  |                             |                             |                             |
|                                    | Timer output   | 16<br>(TAU: 4, Timer RJ: 2, Timer RD: 8, Timer RG: 2)<br>PWM outputs: 10 (TAU: 3, Timer RD: 6, Timer RG: 1)  |                             |                             |                             |
|                                    | RTC output   | 1<br>• 1 Hz (subsystem clock: f <sub>SUB</sub> = 32.768 kHz)   |                             |                             |                             |

**Note** In the case of the 24 KB, this is about 23 KB when the self-programming function and data flash function are used.

(2/2)

| Item                              | 44-pin  | 48-pin                      | 52-pin                      | 64-pin                      |           |
|-----------------------------------|---|-----------------------------|-----------------------------|-----------------------------|-----------|
|                                   | R5F104Fx<br>(x = F to H, J)   | R5F104Gx<br>(x = F to H, J) | R5F104Jx<br>(x = F to H, J) | R5F104Lx<br>(x = F to H, J) |           |
| Clock output/buzzer output        | 2   | 2                           | 2                           | 2                           |           |
|                                   | <ul style="list-style-type: none"> <li>• 2.44 kHz, 4.88 kHz, 9.76 kHz, 1.25 MHz, 2.5 MHz, 5 MHz, 10 MHz<br/>(Main system clock: f<sub>MAIN</sub> = 20 MHz operation)</li> <li>• 256 Hz, 512 Hz, 1.024 kHz, 2.048 kHz, 4.096 kHz, 8.192 kHz, 16.384 kHz, 32.768 kHz<br/>(Subsystem clock: f<sub>SUB</sub> = 32.768 kHz operation)</li> </ul>   |                             |                             |                             |           |
| 8/10-bit resolution A/D converter | 10 channels   | 10 channels                 | 12 channels                 | 12 channels                 |           |
| D/A converter                     | 2 channels  |                             |                             |                             |           |
| Comparator                        | 2 channels  |                             |                             |                             |           |
| Serial interface                  | [44-pin products] <ul style="list-style-type: none"> <li>• CSI: 1 channel/UART (UART supporting LIN-bus): 1 channel/simplified I<sup>2</sup>C: 1 channel</li> <li>• CSI: 1 channel/UART: 1 channel/simplified I<sup>2</sup>C: 1 channel</li> <li>• CSI: 2 channels/UART: 1 channel/simplified I<sup>2</sup>C: 2 channels</li> </ul> [48-pin, 52-pin products] <ul style="list-style-type: none"> <li>• CSI: 2 channels/UART (UART supporting LIN-bus): 1 channel/simplified I<sup>2</sup>C: 2 channels</li> <li>• CSI: 1 channel/UART: 1 channel/simplified I<sup>2</sup>C: 1 channel</li> <li>• CSI: 2 channels/UART: 1 channel/simplified I<sup>2</sup>C: 2 channels</li> </ul> [64-pin products] <ul style="list-style-type: none"> <li>• CSI: 2 channels/UART (UART supporting LIN-bus): 1 channel/simplified I<sup>2</sup>C: 2 channels</li> <li>• CSI: 2 channels/UART: 1 channel/simplified I<sup>2</sup>C: 2 channels</li> <li>• CSI: 2 channels/UART: 1 channel/simplified I<sup>2</sup>C: 2 channels</li> </ul> |                             |                             |                             |           |
|                                   | I <sup>2</sup> C bus  | 1 channel                   | 1 channel                   | 1 channel                   | 1 channel |
| Data transfer controller (DTC)    | 29 sources  | 30 sources                  |                             | 31 sources                  |           |
| Event link controller (ELC)       | Event input: 20<br>Event trigger output: 7  |                             |                             |                             |           |
| Vectored interrupt sources        | Internal  | 24                          | 24                          | 24                          | 24        |
|                                   | External  | 7                           | 10                          | 12                          | 13        |
| Key interrupt                     | 4   | 6                           | 8                           | 8                           |           |
| Reset                             | <ul style="list-style-type: none"> <li>• Reset by <math>\overline{\text{RESET}}</math> pin</li> <li>• Internal reset by watchdog timer</li> <li>• Internal reset by power-on-reset</li> <li>• Internal reset by voltage detector</li> <li>• Internal reset by illegal instruction execution <sup>Note</sup></li> <li>• Internal reset by RAM parity error</li> <li>• Internal reset by illegal-memory access</li> </ul>   |                             |                             |                             |           |
| Power-on-reset circuit            | <ul style="list-style-type: none"> <li>• Power-on-reset: 1.51 ±0.03 V</li> <li>• Power-down-reset: 1.50 ±0.03 V</li> </ul>  |                             |                             |                             |           |
| Voltage detector                  | 1.63 V to 4.06 V (14 stages)  |                             |                             |                             |           |
| On-chip debug function            | Provided  |                             |                             |                             |           |
| Power supply voltage              | V <sub>DD</sub> = 1.6 to 5.5 V  |                             |                             |                             |           |
| Operating ambient temperature     | T <sub>A</sub> = -40 to +85 °C  |                             |                             |                             |           |

**Note** The illegal instruction is generated when instruction code FFH is executed.  
Reset by the illegal instruction execution is not issued by emulation with the in-circuit emulator or on-chip debug emulator.

[80-pin, 100-pin products (code flash memory 96 KB to 256 KB)]

**Caution** This outline describes the functions at the time when Peripheral I/O redirection register 0, 1 (PIOR0, 1) are set to 00H.

(1/2)

| Item                               |  | 80-pin   | 100-pin                     |
|------------------------------------|--|--|-----------------------------|
|                                    |  | R5F104Mx<br>(x = F to H, J)  | R5F104Px<br>(x = F to H, J) |
| Code flash memory (KB)             |  | 96 to 256  | 96 to 256                   |
| Data flash memory (KB)             |  | 8  | 8                           |
| RAM (KB)                           |  | 12 to 24 Note  | 12 to 24 Note               |
| Memory space                       |  | 1 MB   |                             |
| Main system clock                  | High-speed system clock                                | X1 (crystal/ceramic) oscillation, external main system clock input (EXCLK)<br>1 to 20 MHz: V <sub>DD</sub> = 2.7 to 5.5 V, 1 to 8 MHz: V <sub>DD</sub> = 1.8 to 2.7 V, 1 to 4 MHz: V <sub>DD</sub> = 1.6 to 1.8 V  |                             |
|                                    | High-speed on-chip oscillator clock (f <sub>IH</sub> ) | High-speed operation: 1 to 32 MHz (V <sub>DD</sub> = 2.7 to 5.5 V), High-speed operation: 1 to 16 MHz (V <sub>DD</sub> = 2.4 to 5.5 V), Low-speed operation: 1 to 8 MHz (V <sub>DD</sub> = 1.8 to 5.5 V), Low-voltage operation: 1 to 4 MHz (V <sub>DD</sub> = 1.6 to 5.5 V)   |                             |
| Subsystem clock                    |  | XT1 (crystal) oscillation<br>32.768 kHz (TYP.): V <sub>DD</sub> = 1.6 to 5.5 V   |                             |
| Low-speed on-chip oscillator clock |  | 15 kHz (TYP.): V <sub>DD</sub> = 1.6 to 5.5 V  |                             |
| General-purpose register           |  | 8 bits × 32 registers (8 bits × 8 registers × 4 banks)   |                             |
| Minimum instruction execution time |  | 0.03125 μs (High-speed on-chip oscillator clock: f <sub>IH</sub> = 32 MHz operation)   |                             |
|                                    |  | 0.05 μs (High-speed system clock: f <sub>MX</sub> = 20 MHz operation)  |                             |
|                                    |  | 30.5 μs (Subsystem clock: f <sub>SUB</sub> = 32.768 kHz operation)   |                             |
| Instruction set                    |  | <ul style="list-style-type: none"> <li>• Data transfer (8/16 bits)</li> <li>• Adder and subtractor/logical operation (8/16 bits)</li> <li>• Multiplication (8 bits × 8 bits, 16 bits × 16 bits), Division (16 bits ÷ 16 bits, 32 bits ÷ 32 bits)</li> <li>• Multiplication and Accumulation (16 bits × 16 bits + 32 bits)</li> <li>• Rotate, barrel shift, and bit manipulation (Set, reset, test, and Boolean operation), etc.</li> </ul> |                             |
| I/O port                           | Total  | 74   | 92                          |
|                                    | CMOS I/O   | 64   | 82                          |
|                                    | CMOS input   | 5  | 5                           |
|                                    | CMOS output  | 1  | 1                           |
|                                    | N-ch open-drain I/O (6 V tolerance)                    | 4  | 4                           |
| Timer                              | 16-bit timer   | 12 channels<br>(TAU: 8 channels, Timer RJ: 1 channel, Timer RD: 2 channels, Timer RG: 1 channel)   |                             |
|                                    | Watchdog timer   | 1 channel  |                             |
|                                    | Real-time clock (RTC)                                  | 1 channel  |                             |
|                                    | 12-bit interval timer                                  | 1 channel  |                             |
|                                    | Timer output   | 20<br>(TAU: 8, Timer RJ: 2, Timer RD: 8, Timer RG: 2)<br>PWM outputs: 13 (TAU: 6, Timer RD: 6, Timer RG: 1)  |                             |
|                                    | RTC output   | 1<br>• 1 Hz (subsystem clock: f <sub>SUB</sub> = 32.768 kHz)   |                             |

**Note** In the case of the 24 KB, this is about 23 KB when the self-programming function and data flash function are used.

(2/2)

| Item                              | 80-pin  |            | 100-pin                     |  |
|-----------------------------------|---|------------|-----------------------------|--|
|                                   | R5F104Mx<br>(x = F to H, J)   |            | R5F104Px<br>(x = F to H, J) |  |
| Clock output/buzzer output        | 2   |            | 2                           |  |
|                                   | <ul style="list-style-type: none"> <li>• 2.44 kHz, 4.88 kHz, 9.76 kHz, 1.25 MHz, 2.5 MHz, 5 MHz, 10 MHz<br/>(Main system clock: f<sub>MAIN</sub> = 20 MHz operation)</li> <li>• 256 Hz, 512 Hz, 1.024 kHz, 2.048 kHz, 4.096 kHz, 8.192 kHz, 16.384 kHz, 32.768 kHz<br/>(Subsystem clock: f<sub>SUB</sub> = 32.768 kHz operation)</li> </ul>   |            |                             |  |
| 8/10-bit resolution A/D converter | 17 channels   |            | 20 channels                 |  |
| D/A converter                     | 2 channels  |            | 2 channels                  |  |
| Comparator                        | 2 channels  |            | 2 channels                  |  |
| Serial interface                  | [80-pin, 100-pin products]  |            |                             |  |
|                                   | <ul style="list-style-type: none"> <li>• CSI: 2 channels/UART (UART supporting LIN-bus): 1 channel/simplified I<sup>2</sup>C: 2 channels</li> <li>• CSI: 2 channels/UART: 1 channel/simplified I<sup>2</sup>C: 2 channels</li> <li>• CSI: 2 channels/UART: 1 channel/simplified I<sup>2</sup>C: 2 channels</li> <li>• CSI: 2 channels/UART: 1 channel/simplified I<sup>2</sup>C: 2 channels</li> </ul>                  |            |                             |  |
|                                   | I <sup>2</sup> C bus  | 2 channels | 2 channels                  |  |
| Data transfer controller (DTC)    | 39 sources  |            | 39 sources                  |  |
| Event link controller (ELC)       | Event input: 26<br>Event trigger output: 9  |            |                             |  |
| Vectored interrupt sources        | Internal  | 32         | 32                          |  |
|                                   | External  | 13         | 13                          |  |
| Key interrupt                     | 8   |            | 8                           |  |
| Reset                             | <ul style="list-style-type: none"> <li>• Reset by <math>\overline{\text{RESET}}</math> pin</li> <li>• Internal reset by watchdog timer</li> <li>• Internal reset by power-on-reset</li> <li>• Internal reset by voltage detector</li> <li>• Internal reset by illegal instruction execution <sup>Note</sup></li> <li>• Internal reset by RAM parity error</li> <li>• Internal reset by illegal-memory access</li> </ul> |            |                             |  |
| Power-on-reset circuit            | <ul style="list-style-type: none"> <li>• Power-on-reset: 1.51 ±0.03 V</li> <li>• Power-down-reset: 1.50 ±0.03 V</li> </ul>  |            |                             |  |
| Voltage detector                  | 1.63 V to 4.06 V (14 stages)  |            |                             |  |
| On-chip debug function            | Provided  |            |                             |  |
| Power supply voltage              | V <sub>DD</sub> = 1.6 to 5.5 V  |            |                             |  |
| Operating ambient temperature     | T <sub>A</sub> = -40 to +85 °C  |            |                             |  |

**Note** The illegal instruction is generated when instruction code FFH is executed.  
Reset by the illegal instruction execution is not issued by emulation with the in-circuit emulator or on-chip debug emulator.



## 2. ELECTRICAL SPECIFICATIONS

**Caution 1.** The RL78/G14 has an on-chip debug function, which is provided for development and evaluation. Do not use the on-chip debug function in products designated for mass production, because the guaranteed number of rewritable times of the flash memory may be exceeded when this function is used, and product reliability therefore cannot be guaranteed. Renesas Electronics is not liable for problems occurring when the on-chip debug function is used.

**Caution 2.** The pins mounted depend on the product. Refer to 1.3.1 30-pin products to 1.3.10 100-pin products.

**Caution** The pins mounted depend on the product. Refer to 1.3.1 30-pin products to 1.3.10 100-pin products.

## 2.1 Absolute Maximum Ratings

### Absolute Maximum Ratings (T<sub>A</sub> = 25 °C) (1/2)

(1/2)

| Parameter              | Symbols                               | Conditions  | Ratings   | Unit |
|------------------------|---------------------------------------|---|---|------|
| Supply voltage         | V <sub>DD</sub>                       |   | -0.5 to +6.5  | V    |
|                        | EV <sub>DD0</sub> , EV <sub>DD1</sub> | EV <sub>DD0</sub> = EV <sub>DD1</sub>   | -0.5 to +6.5  | V    |
|                        | V <sub>SS</sub>                       |   | -0.5 to +0.3  | V    |
|                        | EV <sub>SS0</sub> , EV <sub>SS1</sub> | EV <sub>SS0</sub> = EV <sub>SS1</sub>   | -0.5 to +0.3  | V    |
| REGC pin input voltage | V <sub>I</sub> REGC                   | REGC  | -0.3 to +2.8<br>and -0.3 to V <sub>DD</sub> +0.3 Note 1                   | V    |
| Input voltage          | V <sub>I1</sub>                       | P00 to P06, P10 to P17, P30, P31,<br>P40 to P47, P50 to P57, P64 to P67,<br>P70 to P77, P80 to P87, P100 to P102,<br>P110, P111, P120, P140 to P147       | -0.3 to EV <sub>DD0</sub> +0.3<br>and -0.3 to V <sub>DD</sub> +0.3 Note 2 | V    |
|                        | V <sub>I2</sub>                       | P60 to P63 (N-ch open-drain)  | -0.3 to +6.5  | V    |
|                        | V <sub>I3</sub>                       | P20 to P27, P121 to P124, P137,<br>P150 to P156, EXCLK, EXCLKS, $\overline{\text{RESET}}$   | -0.3 to V <sub>DD</sub> +0.3 Note 2                                       | V    |
| Output voltage         | V <sub>O1</sub>                       | P00 to P06, P10 to P17, P30, P31,<br>P40 to P47, P50 to P57, P60 to P67,<br>P70 to P77, P80 to P87, P100 to P102,<br>P110, P111, P120, P130, P140 to P147 | -0.3 to EV <sub>DD0</sub> +0.3 Note 2                                     | V    |
|                        | V <sub>O2</sub>                       | P20 to P27, P150 to P156  | -0.3 to V <sub>DD</sub> +0.3  | V    |
| Analog input voltage   | V <sub>AI1</sub>                      | ANI16 to ANI20  | -0.3 to EV <sub>DD0</sub> +0.3 Note 2                                     | V    |
|                        | V <sub>AI2</sub>                      | ANI0 to ANI14   | -0.3 to V <sub>DD</sub> +0.3 Note 2                                       | V    |

**Note 1.** Connect the REGC pin to V<sub>SS</sub> via a capacitor (0.47 to 1 μF). This value regulates the absolute maximum rating of the REGC pin. Do not use this pin with voltage applied to it.

**Note 2.** Must be 6.5 V or lower.

**Caution** Product quality may suffer if the absolute maximum rating is exceeded even momentarily for any parameter. That is, the absolute maximum ratings are rated values at which the product is on the verge of suffering physical damage, and therefore the product must be used under conditions that ensure that the absolute maximum ratings are not exceeded.

**Remark** Unless specified otherwise, the characteristics of alternate-function pins are the same as those of the port pins.

**Caution** The pins mounted depend on the product. Refer to 1.3.1 30-pin products to 1.3.10 100-pin products.

**Absolute Maximum Ratings (TA = 25 °C) (2/2)**

**(2/2)**

| Parameter                     | Symbols                          | Conditions        |  | Ratings  | Unit       |
|-------------------------------|----------------------------------|-------------------|--|--|------------|
| Output current, high          | IOH1                             | Per pin           | P00 to P06, P10 to P17, P30, P31, P40 to P47, P50 to P57, P64 to P67, P70 to P77, P80 to P87, P100 to P102, P110, P111, P120, P130, P140 to P147 | -40  | mA         |
|                               |                                  | Total of all pins | P00 to P04, P40 to P47, P102, P120, P130, P140 to P145   | -70  | mA         |
|                               |                                  | -170 mA           | P05, P06, P10 to P17, P30, P31, P50 to P57, P64 to P67, P70 to P77, P80 to P87, P100, P101, P110, P111, P146, P147                               | -100   | mA         |
|                               | IOH2                             | Per pin           | P20 to P27, P150 to P156   | -0.5   | mA         |
|                               |                                  | Total of all pins |  | -2   | mA         |
|                               | Output current, low              | IOL1              | Per pin  | P00 to P06, P10 to P17, P30, P31, P40 to P47, P50 to P57, P64 to P67, P70 to P77, P80 to P87, P100 to P102, P110, P111, P120, P130, P140 to P147 | 40         |
| Total of all pins             |                                  |                   | P00 to P04, P40 to P47, P102, P120, P130, P140 to P145   | 70   | mA         |
| 170 mA                        |                                  |                   | P05, P06, P10 to P17, P30, P31, P50 to P57, P60 to P67, P70 to P77, P80 to P87, P100, P101, P110, P111, P146, P147                               | 100  | mA         |
| IOL2                          |                                  | Per pin           | P20 to P27, P150 to P156   | 1  | mA         |
|                               |                                  | Total of all pins |  | 5  | mA         |
| Operating ambient temperature |                                  | TA                | In normal operation mode   |  | -40 to +85 |
|                               | In flash memory programming mode |                   |  |  |            |
| Storage temperature           | Tstg                             |                   |  | -65 to +150  | °C         |

**Caution** Product quality may suffer if the absolute maximum rating is exceeded even momentarily for any parameter. That is, the absolute maximum ratings are rated values at which the product is on the verge of suffering physical damage, and therefore the product must be used under conditions that ensure that the absolute maximum ratings are not exceeded.

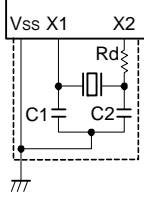
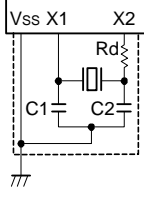
**Remark** Unless specified otherwise, the characteristics of alternate-function pins are the same as those of the port pins.

**Caution** The pins mounted depend on the product. Refer to 1.3.1 30-pin products to 1.3.10 100-pin products.

## 2.2 Oscillator Characteristics

### 2.2.1 Main system clock oscillator characteristics

( $T_A = -40$  to  $+85$  °C,  $1.6\text{ V} \leq EV_{DD0} = EV_{DD1} \leq V_{DD} \leq 5.5\text{ V}$ ,  $V_{SS} = EV_{SS0} = EV_{SS1} = 0\text{ V}$ )

| Resonator         | Recommended Circuit  | Parameter                                   | Conditions                                   | MIN. | TYP. | MAX. | Unit |
|-------------------|--|---|--|------|------|------|------|
| Ceramic resonator |   | X1 clock oscillation frequency<br>(fx) Note | $2.7\text{ V} \leq V_{DD} \leq 5.5\text{ V}$ | 1.0  |      | 20.0 | MHz  |
|                   |  |   | $1.8\text{ V} \leq V_{DD} < 2.7\text{ V}$    | 1.0  |      | 8.0  |      |
|                   |  |   | $1.6\text{ V} \leq V_{DD} < 1.8\text{ V}$    | 1.0  |      | 4.0  |      |
| Crystal resonator |  | X1 clock oscillation frequency<br>(fx) Note | $2.7\text{ V} \leq V_{DD} \leq 5.5\text{ V}$ | 1.0  |      | 20.0 | MHz  |
|                   |  |   | $1.8\text{ V} \leq V_{DD} < 2.7\text{ V}$    | 1.0  |      | 8.0  |      |
|                   |  |   | $1.6\text{ V} \leq V_{DD} < 1.8\text{ V}$    | 1.0  |      | 4.0  |      |

**Note** Indicates only oscillator characteristics. Refer to AC Characteristics for instruction execution time.

**Caution 1.** When using the X1 oscillator, wire as follows in the area enclosed by the broken lines in the above figures to avoid an adverse effect from wiring capacitance.

- Keep the wiring length as short as possible.
- Do not cross the wiring with the other signal lines.
- Do not route the wiring near a signal line through which a high fluctuating current flows.
- Always make the ground point of the oscillator capacitor the same potential as Vss.
- Do not ground the capacitor to a ground pattern through which a high current flows.
- Do not fetch signals from the oscillator.

**Caution 2.** Since the CPU is started by the high-speed on-chip oscillator clock after a reset release, check the X1 clock oscillation stabilization time using the oscillation stabilization time counter status register (OSTC) by the user. Determine the oscillation stabilization time of the OSTC register and the oscillation stabilization time select register (OSTS) after sufficiently evaluating the oscillation stabilization time with the resonator to be used.

**Caution** The pins mounted depend on the product. Refer to 1.3.1 30-pin products to 1.3.10 100-pin products.

## 2.2.2 On-chip oscillator characteristics

( $T_A = -40$  to  $+85$  °C,  $1.6\text{ V} \leq EV_{DD0} = EV_{DD1} \leq V_{DD} \leq 5.5\text{ V}$ ,  $V_{SS} = EV_{SS0} = EV_{SS1} = 0\text{ V}$ )

| Oscillators  | Parameters      | Conditions    |  | MIN. | TYP. | MAX. | Unit |
|--|-----------------|---------------|--|------|------|------|------|
| High-speed on-chip oscillator clock frequency <sup>Note 1</sup>          | f <sub>IH</sub> |               |  | 1    |      | 32   | MHz  |
| High-speed on-chip oscillator clock frequency accuracy <sup>Note 2</sup> |                 | -20 to +85 °C | $1.8\text{ V} \leq V_{DD} \leq 5.5\text{ V}$ | -1   |      | +1   | %    |
|  |                 |               | $1.6\text{ V} \leq V_{DD} \leq 1.8\text{ V}$ | -5   |      | +5   | %    |
|  |                 | -40 to -20 °C | $1.8\text{ V} \leq V_{DD} < 5.5\text{ V}$    | -1.5 |      | +1.5 | %    |
|  |                 |               | $1.6\text{ V} \leq V_{DD} \leq 1.8\text{ V}$ | -5.5 |      | +5.5 | %    |
| Low-speed on-chip oscillator clock frequency                             | f <sub>IL</sub> |               |  |      | 15   |      | kHz  |
| Low-speed on-chip oscillator clock frequency accuracy                    |                 |               |  | -15  |      | +15  | %    |

**Note 1.** High-speed on-chip oscillator frequency is selected with bits 0 to 4 of the option byte (000C2H/010C2H) and bits 0 to 2 of the HOCODIV register.

**Note 2.** This only indicates the oscillator characteristics. Refer to AC Characteristics for instruction execution time. When SSOP (30-pin), WQFN (32-, 40-, 48-pin), FLGA (36-pin), LQFP (7 × 7) (48-pin), LQFP (10 × 10) (52-pin), LQFP (12 × 12) (64-, 80-pin), LQFP (14 × 14) (80-, 100-pin), LQFP (14 × 20) (100-pin) products, these specifications show target values, which may change after device evaluation.

### 2.2.3 Subsystem clock oscillator characteristics

( $T_A = -40$  to  $+85$  °C,  $1.6\text{ V} \leq EV_{DD0} = EV_{DD1} \leq 5.5\text{ V}$ ,  $V_{SS} = EV_{SS0} = EV_{SS1} = 0\text{ V}$ )

| Resonator         | Recommended Circuit | Items  | Conditions | MIN. | TYP.   | MAX. | Unit |
|-------------------|---------------------|--|------------|------|--------|------|------|
| Crystal resonator |                     | XT1 clock oscillation frequency<br>( $f_{XT}$ ) Note |            | 32   | 32.768 | 35   | kHz  |

**Note** Indicates only oscillator characteristics. Refer to **AC Characteristics** for instruction execution time.

**Caution 1.** When using the XT1 oscillator, wire as follows in the area enclosed by the broken lines in the above figures to avoid an adverse effect from wiring capacitance.

- Keep the wiring length as short as possible.
- Do not cross the wiring with the other signal lines.
- Do not route the wiring near a signal line through which a high fluctuating current flows.
- Always make the ground point of the oscillator capacitor the same potential as Vss.
- Do not ground the capacitor to a ground pattern through which a high current flows.
- Do not fetch signals from the oscillator.

**Caution 2.** The XT1 oscillator is designed as a low-amplitude circuit for reducing power consumption, and is more prone to malfunction due to noise than the X1 oscillator. Particular care is therefore required with the wiring method when the XT1 clock is used.

**Remark** For the resonator selection and oscillator constant, customers are requested to either evaluate the oscillation themselves or apply to the resonator manufacturer for evaluation.

**Caution** The pins mounted depend on the product. Refer to 1.3.1 30-pin products to 1.3.10 100-pin products.

## 2.3 DC Characteristics

### 2.3.1 Pin characteristics

( $T_A = -40$  to  $+85$  °C,  $1.6\text{ V} \leq EV_{DD0} = EV_{DD1} \leq V_{DD} \leq 5.5\text{ V}$ ,  $V_{SS} = EV_{SS0} = EV_{SS1} = 0\text{ V}$ )

| Items                                  | Symbol  | Conditions  | MIN.  | TYP.   | MAX.                        | Unit                       |      |
|--|---|---|---|--|-----------------------------|----------------------------|------|
| Output current, high <sup>Note 1</sup> | IOH1  | Per pin for P00 to P06,<br>P10 to P17, P30, P31,<br>P40 to P47, P50 to P57,<br>P64 to P67, P70 to P77,<br>P80 to P87, P100 to P102, P110,<br>P111, P120, P130, P140 to P147     | $1.6\text{ V} \leq EV_{DD0} \leq 5.5\text{ V}$            |  |                             | -10.0<br><sup>Note 2</sup> | mA   |
|  |   |   |   |  |                             |                            |      |
|  |   | Total of P00 to P04, P40 to P47,<br>P102, P120, P130, P140 to P145<br>(When duty = 70% <sup>Note 3</sup> )  | $4.0\text{ V} \leq EV_{DD0} \leq 5.5\text{ V}$            |  |                             | -55.0                      | mA   |
|  |   |   | $2.7\text{ V} \leq EV_{DD0} < 4.0\text{ V}$               |  |                             | -10.0                      | mA   |
|  |   |   | $1.8\text{ V} \leq EV_{DD0} < 2.7\text{ V}$               |  |                             | -5.0                       | mA   |
|  |   |   | $1.6\text{ V} \leq EV_{DD0} < 1.8\text{ V}$               |  |                             | -2.5                       | mA   |
|  |   | Total of P05, P06, P10 to P17,<br>P30, P31, P50 to P57,<br>P64 to P67, P70 to P77,<br>P80 to P87, P100, P101, P110,<br>P111, P146, P147<br>(When duty = 70% <sup>Note 3</sup> ) | $4.0\text{ V} \leq EV_{DD0} \leq 5.5\text{ V}$            |  |                             | -80.0                      | mA   |
|  |   |   | $2.7\text{ V} \leq EV_{DD0} < 4.0\text{ V}$               |  |                             | -19.0                      | mA   |
|  |   |   | $1.8\text{ V} \leq EV_{DD0} < 2.7\text{ V}$               |  |                             | -10.0                      | mA   |
|  |   |   | $1.6\text{ V} \leq EV_{DD0} < 1.8\text{ V}$               |  |                             | -5.0                       | mA   |
|  | Total of all pins<br>(When duty = 70% <sup>Note 3</sup> ) | $1.6\text{ V} \leq EV_{DD0} \leq 5.5\text{ V}$  |   |  | -135.0<br><sup>Note 4</sup> | mA                         |      |
|  | IOH2  | Per pin for P20 to P27,<br>P150 to P156   | $1.6\text{ V} \leq V_{DD} \leq 5.5\text{ V}$              |  |                             | -0.1<br><sup>Note 2</sup>  | mA   |
|  |   |   | Total of all pins<br>(When duty = 70% <sup>Note 3</sup> ) | $1.6\text{ V} \leq V_{DD} \leq 5.5\text{ V}$ |                             |                            | -1.5 |

**Note 1.** Value of current at which the device operation is guaranteed even if the current flows from the  $EV_{DD0}$ ,  $EV_{DD1}$ ,  $V_{DD}$  pins to an output pin.

**Note 2.** However, do not exceed the total current value.

**Note 3.** Specification under conditions where the duty factor is 70%.

The output current value that has changed the duty ratio can be calculated with the following expression (when changing the duty factor from 70 % to n %).

- Total output current of pins =  $(I_{OH} \times 0.7)/(n \times 0.01)$

<Example> Where  $n = 50\%$  and  $I_{OH} = -10.0\text{ mA}$

$$\text{Total output current of pins} = (-10.0 \times 0.7)/(50 \times 0.01) = -14.0\text{ mA}$$

However, the current that is allowed to flow into one pin does not vary depending on the duty factor. A current higher than the absolute maximum rating must not flow into one pin.

**Note 4.** The applied current for the products of industrial application (R5F104xxDxx) is -100 mA.

**Caution** **P00, P02 to P04, P10, P11, P13 to P15, P17, P30, P43 to P45, P50 to P55, P71, P74, P80 to P82, and P142 to P144 do not output high level in N-ch open-drain mode.**

**Remark** Unless specified otherwise, the characteristics of alternate-function pins are the same as those of the port pins.

**Caution** The pins mounted depend on the product. Refer to 1.3.1 30-pin products to 1.3.10 100-pin products.

( $T_A = -40$  to  $+85$  °C,  $1.6\text{ V} \leq EV_{DD0} = EV_{DD1} \leq V_{DD} \leq 5.5\text{ V}$ ,  $V_{SS} = EV_{SS0} = EV_{SS1} = 0\text{ V}$ )

| Items                      | Symbol  | Conditions  | MIN.   | TYP.   | MAX.   | Unit           |      |    |
|----------------------------|---|---|--|--|--|----------------|------|----|
| Output current, low Note 1 | IOL1  | Per pin for P00 to P06,<br>P10 to P17, P30, P31,<br>P40 to P47, P50 to P57,<br>P64 to P67, P70 to P77,<br>P80 to P87, P100 to P102, P110,<br>P111, P120, P130, P140 to P147 |  |  | 20.0<br>Note 2                                 | mA             |      |    |
|                            |   |   | Per pin for P60 to P63                         |  |  | 15.0<br>Note 2 | mA   |    |
|                            |   |   |  | Total of P00 to P04, P40 to P47,<br>P102, P120, P130, P140 to P145<br>(When duty = 70% Note 3) | $4.0\text{ V} \leq EV_{DD0} \leq 5.5\text{ V}$ |                | 70.0 | mA |
|                            |   |   |  |  | $2.7\text{ V} \leq EV_{DD0} < 4.0\text{ V}$    |                | 15.0 | mA |
|                            |   | $1.8\text{ V} \leq EV_{DD0} < 2.7\text{ V}$   |  |  | 9.0  | mA             |      |    |
|                            |   | $1.6\text{ V} \leq EV_{DD0} < 1.8\text{ V}$   |  |  | 4.5  | mA             |      |    |
|                            |   | Total of P05, P06, P10 to P17,<br>P30, P31, P50 to P57,<br>P60 to P67, P70 to P77,<br>P80 to P87, P100, P101, P110,<br>P111, P146, P147<br>(When duty = 70% Note 3)         | $4.0\text{ V} \leq EV_{DD0} \leq 5.5\text{ V}$ |  | 80.0   | mA             |      |    |
|                            |   |   | $2.7\text{ V} \leq EV_{DD0} < 4.0\text{ V}$    |  | 35.0   | mA             |      |    |
|                            |   |   | $1.8\text{ V} \leq EV_{DD0} < 2.7\text{ V}$    |  | 20.0   | mA             |      |    |
|                            |   |   | $1.6\text{ V} \leq EV_{DD0} < 1.8\text{ V}$    |  | 10.0   | mA             |      |    |
|                            | Total of all pins<br>(When duty = 70% Note 3) |   |  |  | 150.0  | mA             |      |    |
|                            | IOL2  | Per pin for P20 to P27,<br>P150 to P156   |  |  | 0.4<br>Note 2                                  | mA             |      |    |
|                            |   |   | Total of all pins<br>(When duty = 70% Note 3)  | $1.6\text{ V} \leq V_{DD} \leq 5.5\text{ V}$   |  | 5.0            | mA   |    |

**Note 1.** Value of current at which the device operation is guaranteed even if the current flows from an output pin to the  $EV_{SS0}$ ,  $EV_{SS1}$ , and  $V_{SS}$  pins.

**Note 2.** However, do not exceed the total current value.

**Note 3.** Specification under conditions where the duty factor is 70 %.

The output current value that has changed the duty ratio can be calculated with the following expression (when changing the duty factor from 70 % to n %).

- Total output current of pins =  $(I_{OL} \times 0.7)/(n \times 0.01)$

<Example> Where  $n = 50\%$  and  $I_{OL} = 10.0\text{ mA}$

$$\text{Total output current of pins} = (10.0 \times 0.7)/(50 \times 0.01) = 14.0\text{ mA}$$

However, the current that is allowed to flow into one pin does not vary depending on the duty factor. A current higher than the absolute maximum rating must not flow into one pin.

**Remark** Unless specified otherwise, the characteristics of alternate-function pins are the same as those of the port pins.



**Caution** The pins mounted depend on the product. Refer to 1.3.1 30-pin products to 1.3.10 100-pin products.

( $T_A = -40$  to  $+85$  °C,  $1.6\text{ V} \leq EV_{DD0} = EV_{DD1} \leq V_{DD} \leq 5.5\text{ V}$ ,  $V_{SS} = EV_{SS0} = EV_{SS1} = 0\text{ V}$ )

| Items               | Symbol   | Conditions   | MIN.   | TYP.           | MAX.         | Unit           |   |
|---------------------|--|--|--|----------------|--------------|----------------|---|
| Input voltage, high | $V_{IH1}$  | P00 to P06, P10 to P17, P30, P31, P40 to P47, P50 to P57, P64 to P67, P70 to P77, P80 to P87, P100 to P102, P110, P111, P120, P140 to P147 | Normal input buffer  | 0.8 $EV_{DD0}$ |              | $EV_{DD0}$     | V |
|                     | $V_{IH2}$  | P01, P03, P04, P10, P14 to P17, P30, P31, P43, P44, P50, P53 to P55, P80, P81, P142, P143  | TTL input buffer<br>$4.0\text{ V} \leq EV_{DD0} \leq 5.5\text{ V}$ | 2.2            |              | $EV_{DD0}$     | V |
|                     |  |  | TTL input buffer<br>$3.3\text{ V} \leq EV_{DD0} < 4.0\text{ V}$    | 2.0            |              | $EV_{DD0}$     | V |
|                     |  |  | TTL input buffer<br>$1.6\text{ V} \leq EV_{DD0} < 3.3\text{ V}$    | 1.50           |              | $EV_{DD0}$     | V |
|                     | $V_{IH3}$  | P20 to P27, P150 to P156   |  | 0.7 $V_{DD}$   |              | $V_{DD}$       | V |
|                     | $V_{IH4}$  | P60 to P63   |  | 0.7 $EV_{DD0}$ |              | 6.0            | V |
| $V_{IH5}$           | P121 to P124, P137, EXCLK, EXCLKS, $\overline{\text{RESET}}$ |  | 0.8 $V_{DD}$   |                | $V_{DD}$     | V              |   |
| Input voltage, low  | $V_{IL1}$  | P00 to P06, P10 to P17, P30, P31, P40 to P47, P50 to P57, P64 to P67, P70 to P77, P80 to P87, P100 to P102, P110, P111, P120, P140 to P147 | Normal input buffer  | 0              |              | 0.2 $EV_{DD0}$ | V |
|                     | $V_{IL2}$  | P01, P03, P04, P10, P14 to P17, P30, P31, P43, P44, P50, P53 to P55, P80, P81, P142, P143  | TTL input buffer<br>$4.0\text{ V} \leq EV_{DD0} \leq 5.5\text{ V}$ | 0              |              | 0.8            | V |
|                     |  |  | TTL input buffer<br>$2.7\text{ V} \leq EV_{DD0} < 4.0\text{ V}$    | 0              |              | 0.5            | V |
|                     |  |  | TTL input buffer<br>$1.6\text{ V} \leq EV_{DD0} < 2.7\text{ V}$    | 0              |              | 0.32           | V |
|                     | $V_{IL3}$  | P20 to P27, P150 to P156   |  | 0              |              | 0.3 $V_{DD}$   | V |
|                     | $V_{IL4}$  | P60 to P63   |  | 0              |              | 0.3 $EV_{DD0}$ | V |
| $V_{IL5}$           | P121 to P124, P137, EXCLK, EXCLKS, $\overline{\text{RESET}}$ |  | 0  |                | 0.2 $V_{DD}$ | V              |   |

**Caution** The maximum value of  $V_{IH}$  of pins P00, P02 to P04, P10, P11, P13 to P15, P17, P30, P43 to P45, P50 to P55, P71, P74, P80 to P82, and P142 to P144 is  $EV_{DD0}$ , even in the N-ch open-drain mode.

**Remark** Unless specified otherwise, the characteristics of alternate-function pins are the same as those of the port pins.

**Caution** The pins mounted depend on the product. Refer to 1.3.1 30-pin products to 1.3.10 100-pin products.

( $T_A = -40$  to  $+85$  °C,  $1.6\text{ V} \leq EV_{DD0} = EV_{DD1} \leq V_{DD} \leq 5.5\text{ V}$ ,  $V_{SS} = EV_{SS0} = EV_{SS1} = 0\text{ V}$ )

| Items                | Symbol | Conditions   | MIN.  | TYP.                     | MAX.   | Unit |
|----------------------|--------|--|---|--------------------------|--|------|
| Output voltage, high | VOH1   | P00 to P06, P10 to P17, P30, P31, P40 to P47, P50 to P57, P64 to P67, P70 to P77, P80 to P87, P100 to P102, P110, P111, P120, P130, P140 to P147 | $4.0\text{ V} \leq EV_{DD0} \leq 5.5\text{ V}$ ,<br>$I_{OH1} = -10.0\text{ mA}$       |                          |  | V    |
|                      |        |  | $4.0\text{ V} \leq EV_{DD0} \leq 5.5\text{ V}$ ,<br>$I_{OH1} = -3.0\text{ mA}$        |                          |  | V    |
|                      |        |  | $1.8\text{ V} \leq EV_{DD0} \leq 5.5\text{ V}$ ,<br>$I_{OH1} = -1.5\text{ mA}$        |                          |  | V    |
|                      |        |  | $1.6\text{ V} \leq EV_{DD0} < 1.8\text{ V}$ ,<br>$I_{OH1} = -1.0\text{ mA}$           |                          |  | V    |
|                      | VOH2   | P20 to P27, P150 to P156   | $1.6\text{ V} \leq V_{DD} \leq 5.5\text{ V}$ ,<br>$I_{OH2} = -100\text{ }\mu\text{A}$ |                          |  | V    |
| Output voltage, low  | VOL1   | P00 to P06, P10 to P17, P30, P31, P40 to P47, P50 to P57, P64 to P67, P70 to P77, P80 to P87, P100 to P102, P110, P111, P120, P130, P140 to P147 | $4.0\text{ V} \leq EV_{DD0} \leq 5.5\text{ V}$ ,<br>$I_{OL1} = 20.0\text{ mA}$        |                          | 1.3  | V    |
|                      |        |  | $4.0\text{ V} \leq EV_{DD0} \leq 5.5\text{ V}$ ,<br>$I_{OL1} = 8.5\text{ mA}$         |                          | 0.7  | V    |
|                      |        |  | $4.0\text{ V} \leq EV_{DD0} \leq 5.5\text{ V}$ ,<br>$I_{OL1} = 4.0\text{ mA}$         |                          | 0.4  | V    |
|                      |        |  | $2.7\text{ V} \leq EV_{DD0} \leq 5.5\text{ V}$ ,<br>$I_{OL1} = 1.5\text{ mA}$         |                          | 0.4  | V    |
|                      |        |  | $1.8\text{ V} \leq EV_{DD0} \leq 5.5\text{ V}$ ,<br>$I_{OL1} = 0.6\text{ mA}$         |                          | 0.4  | V    |
|                      |        |  | $1.6\text{ V} \leq EV_{DD0} < 1.8\text{ V}$ ,<br>$I_{OL1} = 0.3\text{ mA}$            |                          | 0.4  | V    |
|                      |        |  | VOL2  | P20 to P27, P150 to P156 | $1.6\text{ V} \leq V_{DD} \leq 5.5\text{ V}$ ,<br>$I_{OL2} = 400\text{ }\mu\text{A}$ |      |
|                      | VOL3   | P60 to P63   | $4.0\text{ V} \leq EV_{DD0} \leq 5.5\text{ V}$ ,<br>$I_{OL3} = 15.0\text{ mA}$        |                          | 2.0  | V    |
|                      |        |  | $4.0\text{ V} \leq EV_{DD0} \leq 5.5\text{ V}$ ,<br>$I_{OL3} = 5.0\text{ mA}$         |                          | 0.4  | V    |
|                      |        |  | $2.7\text{ V} \leq EV_{DD0} \leq 5.5\text{ V}$ ,<br>$I_{OL3} = 3.0\text{ mA}$         |                          | 0.4  | V    |
|                      |        |  | $1.8\text{ V} \leq EV_{DD0} \leq 5.5\text{ V}$ ,<br>$I_{OL3} = 2.0\text{ mA}$         |                          | 0.4  | V    |
|                      |        |  | $1.6\text{ V} \leq EV_{DD0} \leq 5.5\text{ V}$ ,<br>$I_{OL3} = 1.0\text{ mA}$         |                          | 0.4  | V    |

**Caution** P00, P02 to P04, P10, P11, P13 to P15, P17, P30, P43 to P45, P50 to P55, P71, P74, P80 to P82, P142 to P144 do not output high level in N-ch open-drain mode.

**Remark** Unless specified otherwise, the characteristics of alternate-function pins are the same as those of the port pins.

**Caution** The pins mounted depend on the product. Refer to 1.3.1 30-pin products to 1.3.10 100-pin products.

( $T_A = -40$  to  $+85$  °C,  $1.6\text{ V} \leq EV_{DD0} = EV_{DD1} \leq V_{DD} \leq 5.5\text{ V}$ ,  $V_{SS} = EV_{SS0} = EV_{SS1} = 0\text{ V}$ )

| Items                       | Symbol | Conditions   | MIN.                                  | TYP. | MAX. | Unit          |     |                  |
|-----------------------------|--------|--|---------------------------------------|------|------|---------------|-----|------------------|
| Input leakage current, high | ILIH1  | P00 to P06, P10 to P17, P30, P31, P40 to P47, P50 to P57, P64 to P67, P70 to P77, P80 to P87, P100 to P102, P110, P111, P120, P140 to P147 | $V_I = EV_{DD0}$                      |      | 1    | $\mu\text{A}$ |     |                  |
|                             | ILIH2  | P20 to P27, P137, P150 to P156, $\overline{\text{RESET}}$  | $V_I = V_{DD}$                        |      | 1    | $\mu\text{A}$ |     |                  |
|                             | ILIH3  | P121 to P124 (X1, X2, EXCLK, XT1, XT2, EXCLKS)   | In input port or external clock input |      | 1    | $\mu\text{A}$ |     |                  |
|                             |        |  | In resonator connection               |      | 10   | $\mu\text{A}$ |     |                  |
| Input leakage current, low  | ILIL1  | P00 to P06, P10 to P17, P30, P31, P40 to P47, P50 to P57, P64 to P67, P70 to P77, P80 to P87, P100 to P102, P110, P111, P120, P140 to P147 | $V_I = EV_{SS0}$                      |      | -1   | $\mu\text{A}$ |     |                  |
|                             | ILIL2  | P20 to P27, P137, P150 to P156, $\overline{\text{RESET}}$  | $V_I = V_{SS}$                        |      | -1   | $\mu\text{A}$ |     |                  |
|                             | ILIL3  | P121 to P124 (X1, X2, EXCLK, XT1, XT2, EXCLKS)   | In input port or external clock input |      | -1   | $\mu\text{A}$ |     |                  |
|                             |        |  | In resonator connection               |      | -10  | $\mu\text{A}$ |     |                  |
| On-chip pll-up resistance   | $R_U$  | P00 to P06, P10 to P17, P30, P31, P40 to P47, P50 to P57, P64 to P67, P70 to P77, P80 to P87, P100 to P102, P110, P111, P120, P140 to P147 | $V_I = EV_{SS0}$ , In input port      |      | 10   | 20            | 100 | $\text{k}\Omega$ |

**Remark** Unless specified otherwise, the characteristics of alternate-function pins are the same as those of the port pins.

**Caution** The pins mounted depend on the product. Refer to 1.3.1 30-pin products to 1.3.10 100-pin products.

### 2.3.2 Supply current characteristics

#### (1) Flash ROM: 16 to 64 KB of 30- to 64-pin products

(TA = -40 to +85 °C, 1.6 V ≤ EVDD0 ≤ VDD ≤ 5.5 V, VSS = EVSS0 = 0 V)

(1/2)

| Parameter                           | Symbol           | Conditions           |                                     |                                    |                                 | MIN.                         | TYP.             | MAX.                 | Unit |     |     |    |
|-------------------------------------|------------------|----------------------|-------------------------------------|------------------------------------|---------------------------------|------------------------------|------------------|----------------------|------|-----|-----|----|
| Supply current<br>Note 1            | IDD1             | Operating mode       | High-speed operation<br>Notes 3, 5  | fHOCO = 64 MHz,<br>fIH = 32 MHz    | Basic operation                 | VDD = 5.0 V                  |                  | 2.4                  |      | mA  |     |    |
|                                     |                  |                      |                                     |                                    |                                 | VDD = 3.0 V                  |                  | 2.4                  |      |     |     |    |
|                                     |                  |                      |                                     |                                    | fHOCO = 32 MHz,<br>fIH = 32 MHz | Basic operation              | VDD = 5.0 V      |                      | 2.1  |     |     |    |
|                                     |                  |                      |                                     |                                    |                                 | VDD = 3.0 V                  |                  | 2.1                  |      |     |     |    |
|                                     |                  |                      |                                     | High-speed operation<br>Notes 3, 5 | fHOCO = 64 MHz,<br>fIH = 32 MHz | Normal operation             | VDD = 5.0 V      |                      | 5.2  | 8.7 | mA  |    |
|                                     |                  |                      |                                     |                                    |                                 |                              | VDD = 3.0 V      |                      | 5.2  | 8.7 |     |    |
|                                     |                  |                      |                                     |                                    | fHOCO = 32 MHz,<br>fIH = 32 MHz | Normal operation             | VDD = 5.0 V      |                      | 4.8  | 8.1 |     |    |
|                                     |                  |                      | VDD = 3.0 V                         |                                    |                                 |                              |                  | 4.8                  | 8.1  |     |     |    |
|                                     |                  |                      |                                     |                                    | fHOCO = 48 MHz,<br>fIH = 24 MHz | Normal operation             | VDD = 5.0 V      |                      | 4.1  | 6.9 |     |    |
|                                     |                  |                      | VDD = 3.0 V                         |                                    |                                 |                              |                  | 4.1                  | 6.9  |     |     |    |
|                                     |                  |                      |                                     | fHOCO = 24 MHz,<br>fIH = 24 MHz    | Normal operation                | VDD = 5.0 V                  |                  | 3.8                  | 6.3  |     |     |    |
|                                     |                  |                      | VDD = 3.0 V                         |                                    |                                 |                              | 3.8              | 6.3                  |      |     |     |    |
|                                     |                  |                      |                                     | fHOCO = 16 MHz,<br>fIH = 16 MHz    | Normal operation                | VDD = 5.0 V                  |                  | 2.8                  | 4.6  |     |     |    |
|                                     |                  |                      | VDD = 3.0 V                         |                                    |                                 |                              | 2.8              | 4.6                  |      |     |     |    |
|                                     |                  |                      | Low-speed operation<br>Notes 3, 5   | fHOCO = 8 MHz,<br>fIH = 8 MHz      | Normal operation                | VDD = 3.0 V                  |                  | 1.3                  | 2.0  | mA  |     |    |
|                                     |                  |                      |                                     |                                    |                                 | VDD = 2.0 V                  |                  | 1.3                  | 2.0  |     |     |    |
|                                     |                  |                      | Low-voltage operation<br>Notes 3, 5 | fHOCO = 4 MHz,<br>fIH = 4 MHz      | Normal operation                | VDD = 3.0 V                  |                  | 1.3                  | 1.8  | mA  |     |    |
|                                     |                  |                      |                                     |                                    |                                 | VDD = 2.0 V                  |                  | 1.3                  | 1.8  |     |     |    |
|                                     |                  |                      | High-speed operation<br>Notes 2, 5  |                                    |                                 | fMX = 20 MHz,<br>VDD = 5.0 V | Normal operation | Square wave input    |      | 3.3 | 5.3 | mA |
|                                     |                  |                      |                                     |                                    |                                 |                              |                  | Resonator connection |      | 3.5 | 5.5 |    |
|                                     |                  |                      |                                     |                                    |                                 | fMX = 20 MHz,<br>VDD = 3.0 V | Normal operation | Square wave input    |      | 3.3 | 5.3 |    |
|                                     |                  |                      |                                     |                                    |                                 |                              |                  | Resonator connection |      | 3.5 | 5.5 |    |
|                                     |                  |                      |                                     |                                    |                                 | fMX = 10 MHz,<br>VDD = 5.0 V | Normal operation | Square wave input    |      | 2.0 | 3.1 |    |
|                                     |                  |                      |                                     |                                    |                                 |                              |                  | Resonator connection |      | 2.1 | 3.2 |    |
| fMX = 10 MHz,<br>VDD = 3.0 V        | Normal operation | Square wave input    |                                     |                                    |                                 |                              | 2.0              | 3.1                  |      |     |     |    |
|                                     |                  | Resonator connection |                                     |                                    |                                 |                              | 2.1              | 3.2                  |      |     |     |    |
| Low-speed operation<br>Notes 2, 5   |                  |                      | fMX = 8 MHz,<br>VDD = 3.0 V         | Normal operation                   | Square wave input               |                              | 1.2              | 1.9                  | mA   |     |     |    |
|                                     |                  |                      |                                     |                                    | Resonator connection            |                              | 1.2              | 2.0                  |      |     |     |    |
|                                     |                  |                      | fMX = 8 MHz,<br>VDD = 2.0 V         | Normal operation                   | Square wave input               |                              | 1.2              | 1.9                  |      |     |     |    |
|                                     |                  |                      |                                     |                                    | Resonator connection            |                              | 1.2              | 2.0                  |      |     |     |    |
| Subsystem clock operation<br>Note 4 |                  |                      | fSUB = 32.768 kHz<br>TA = -40 °C    | Normal operation                   | Square wave input               |                              | 4.7              |                      | μA   |     |     |    |
|                                     |                  |                      |                                     |                                    | Resonator connection            |                              | 4.7              |                      |      |     |     |    |
|                                     |                  |                      | fSUB = 32.768 kHz<br>TA = +25 °C    | Normal operation                   | Square wave input               |                              | 4.7              | 6.1                  |      |     |     |    |
|                                     |                  |                      |                                     |                                    | Resonator connection            |                              | 4.7              | 6.1                  |      |     |     |    |
|                                     |                  |                      | fSUB = 32.768 kHz<br>TA = +50 °C    | Normal operation                   | Square wave input               |                              | 4.8              | 6.7                  |      |     |     |    |
|                                     |                  |                      |                                     |                                    | Resonator connection            |                              | 4.8              | 6.7                  |      |     |     |    |
|                                     |                  |                      | fSUB = 32.768 kHz<br>TA = +70 °C    | Normal operation                   | Square wave input               |                              | 4.8              | 7.5                  |      |     |     |    |
|                                     |                  |                      |                                     |                                    | Resonator connection            |                              | 4.8              | 7.5                  |      |     |     |    |
|                                     |                  |                      | fSUB = 32.768 kHz<br>TA = +85 °C    | Normal operation                   | Square wave input               |                              | 5.4              | 8.9                  |      |     |     |    |
|                                     |                  |                      |                                     |                                    | Resonator connection            |                              | 5.4              | 8.9                  |      |     |     |    |

(Notes and Remarks are listed on the next page.)

- Note 1.** Total current flowing into  $V_{DD}$  and  $EV_{DD0}$ , including the input leakage current flowing when the level of the input pin is fixed to  $V_{DD}$ ,  $EV_{DD0}$  or  $V_{SS}$ ,  $EV_{SS0}$ . The values below the MAX. column include the peripheral operation current (except for background operation (BGO)). However, not including the current flowing into the A/D converter, LVD circuit, I/O port, and on-chip pull-up/pull-down resistors.
- Note 2.** When high-speed on-chip oscillator and subsystem clock are stopped.
- Note 3.** When high-speed system clock and subsystem clock are stopped.
- Note 4.** When high-speed on-chip oscillator and high-speed system clock are stopped. When real-time counter and watchdog timer is stopped. When AMPHS1 = 1 (Ultra-low power consumption oscillation).
- Note 5.** Relationship between operation voltage width, operation frequency of CPU and operation mode is as below.  
 High speed operation:  $V_{DD} = 2.7\text{ V to }5.5\text{ V}@1\text{ MHz to }32\text{ MHz}$   
 $V_{DD} = 2.4\text{ V to }5.5\text{ V}@1\text{ MHz to }16\text{ MHz}$   
 Low speed operation:  $V_{DD} = 1.8\text{ V to }5.5\text{ V}@1\text{ MHz to }8\text{ MHz}$   
 Low voltage operation:  $V_{DD} = 1.6\text{ V to }5.5\text{ V}@1\text{ MHz to }4\text{ MHz}$

**Remark 1.**  $f_{MX}$ : High-speed system clock frequency (X1 clock oscillation frequency or external main system clock frequency)

**Remark 2.**  $f_{HOCO}$ : High-speed on-chip oscillator clock frequency (64 MHz max.)

**Remark 3.**  $f_{IH}$ : High-speed on-chip oscillator clock frequency (32 MHz max.) <sup>Note</sup>

**Remark 4.**  $f_{SUB}$ : Subsystem clock frequency (XT1 clock oscillation frequency)

**Remark 5.** Except subsystem clock operation, temperature condition of the TYP. value is  $T_A = 25^\circ\text{C}$

**Note**  $f_{IH}$  is controlled by hardware to be set to two frequency division of  $f_{HOCO}$  when  $f_{HOCO}$  is set to 64 MHz or 48 MHz, and the same clock frequency as  $f_{HOCO}$  when  $f_{HOCO}$  is set to 32 MHz or less. When supplying 64 MHz or 48 MHz to timer RD, set  $f_{CLK}$  to  $f_{IH}$ .

**Caution** The pins mounted depend on the product. Refer to 1.3.1 30-pin products to 1.3.10 100-pin products.

**(1) Flash ROM: 16 to 64 KB of 30- to 64-pin products**

( $T_A = -40$  to  $+85$  °C,  $1.6\text{ V} \leq EV_{DD0} \leq V_{DD} \leq 5.5\text{ V}$ ,  $V_{SS} = EV_{SS0} = 0\text{ V}$ )

**(2/2)**

| Parameter                | Symbol         | Conditions                        |                                 | MIN.                             | TYP.                              | MAX.                          | Unit        |      |     |    |
|--------------------------|----------------|-----------------------------------|---------------------------------|----------------------------------|-----------------------------------|-------------------------------|-------------|------|-----|----|
| Supply current<br>Note 1 | IDD2<br>Note 2 | HALT mode                         | High-speed operation Notes 4, 7 | fHOCO = 64 MHz,<br>fIH = 32 MHz  | VDD = 5.0 V                       | 0.80                          | 3.09        | mA   |     |    |
|                          |                |                                   |                                 |                                  | VDD = 3.0 V                       | 0.80                          | 3.09        |      |     |    |
|                          |                |                                   |                                 | fHOCO = 32 MHz,<br>fIH = 32 MHz  | VDD = 5.0 V                       | 0.54                          | 2.40        |      |     |    |
|                          |                |                                   |                                 |                                  | VDD = 3.0 V                       | 0.54                          | 2.40        |      |     |    |
|                          |                |                                   |                                 | fHOCO = 48 MHz,<br>fIH = 24 MHz  | VDD = 5.0 V                       | 0.62                          | 2.40        |      |     |    |
|                          |                |                                   |                                 |                                  | VDD = 3.0 V                       | 0.62                          | 2.40        |      |     |    |
|                          |                |                                   | fHOCO = 24 MHz,<br>fIH = 24 MHz | VDD = 5.0 V                      | 0.44                              | 1.83                          |             |      |     |    |
|                          |                |                                   |                                 | VDD = 3.0 V                      | 0.44                              | 1.83                          |             |      |     |    |
|                          |                |                                   | fHOCO = 16 MHz,<br>fIH = 16 MHz | VDD = 5.0 V                      | 0.40                              | 1.38                          |             |      |     |    |
|                          |                |                                   |                                 | VDD = 3.0 V                      | 0.40                              | 1.38                          |             |      |     |    |
|                          |                |                                   |                                 |                                  |                                   |                               |             |      |     |    |
|                          |                |                                   |                                 |                                  | Low-speed operation Notes 4, 7    | fHOCO = 8 MHz,<br>fIH = 8 MHz | VDD = 3.0 V | 260  | 710 | μA |
|                          |                |                                   |                                 |                                  |                                   | VDD = 2.0 V                   | 260         | 710  |     |    |
|                          |                |                                   |                                 | Low-voltage operation Notes 4, 7 | fHOCO = 4 MHz,<br>fIH = 4 MHz     | VDD = 3.0 V                   | 420         | 700  | μA  |    |
|                          |                |                                   |                                 |                                  |                                   | VDD = 2.0 V                   | 420         | 700  |     |    |
|                          |                |                                   |                                 | High-speed operation Notes 3, 7  | fMX = 20 MHz,<br>VDD = 5.0 V      | Square wave input             | 0.28        | 1.55 | mA  |    |
|                          |                |                                   |                                 |                                  |                                   | Resonator connection          | 0.53        | 1.74 |     |    |
|                          |                |                                   |                                 |                                  | fMX = 20 MHz,<br>VDD = 3.0 V      | Square wave input             | 0.28        | 1.55 |     |    |
|                          |                |                                   |                                 |                                  |                                   | Resonator connection          | 0.49        | 1.74 |     |    |
|                          |                |                                   |                                 |                                  | fMX = 10 MHz,<br>VDD = 5.0 V      | Square wave input             | 0.19        | 0.86 |     |    |
|                          |                |                                   |                                 |                                  |                                   | Resonator connection          | 0.30        | 0.93 |     |    |
|                          |                |                                   |                                 |                                  | fMX = 10 MHz,<br>VDD = 3.0 V      | Square wave input             | 0.19        | 0.86 |     |    |
|                          |                |                                   |                                 |                                  |                                   | Resonator connection          | 0.30        | 0.93 |     |    |
|                          |                |                                   |                                 | Low-speed operation Notes 3, 7   | fMX = 7 MHz,<br>VDD = 3.0 V       | Square wave input             | 95          | 550  | μA  |    |
|                          |                |                                   |                                 |                                  |                                   | Resonator connection          | 145         | 590  |     |    |
|                          |                |                                   |                                 |                                  | fMX = 8 MHz,<br>VDD = 2.0 V       | Square wave input             | 95          | 550  |     |    |
|                          |                |                                   |                                 |                                  |                                   | Resonator connection          | 145         | 590  |     |    |
|                          |                |                                   |                                 | Subsystem clock operation Note 5 | fsUB = 32.768 kHz,<br>TA = -40 °C | Square wave input             | 0.25        |      | μA  |    |
|                          |                | Resonator connection              | 0.44                            |                                  |                                   |                               |             |      |     |    |
|                          |                | fsUB = 32.768 kHz,<br>TA = +25 °C | Square wave input               |                                  | 0.30                              | 0.57                          |             |      |     |    |
|                          |                |                                   | Resonator connection            |                                  | 0.49                              | 0.76                          |             |      |     |    |
|                          |                | fsUB = 32.768 kHz,<br>TA = +50 °C | Square wave input               |                                  | 0.33                              | 1.17                          |             |      |     |    |
|                          |                |                                   | Resonator connection            |                                  | 0.52                              | 1.36                          |             |      |     |    |
|                          |                | fsUB = 32.768 kHz,<br>TA = +70 °C | Square wave input               |                                  | 0.36                              | 1.97                          |             |      |     |    |
|                          |                |                                   | Resonator connection            |                                  | 0.55                              | 2.16                          |             |      |     |    |
|                          |                | fsUB = 32.768 kHz,<br>TA = +85 °C | Square wave input               | 0.97                             | 3.37                              |                               |             |      |     |    |
|                          |                |                                   | Resonator connection            | 0.16                             | 3.56                              |                               |             |      |     |    |
|                          | IDD3           | STOP mode Note 6                  | TA = -40 °C                     |                                  |                                   | 0.18                          | μA          |      |     |    |
|                          |                |                                   | TA = +25 °C                     |                                  |                                   | 0.24                          |             | 0.51 |     |    |
|                          |                |                                   | TA = +50 °C                     |                                  |                                   | 0.26                          |             | 1.10 |     |    |
|                          |                |                                   | TA = +70 °C                     |                                  |                                   | 0.29                          |             | 1.90 |     |    |
|                          |                |                                   | TA = +85 °C                     |                                  |                                   | 0.90                          |             | 3.30 |     |    |

(Notes and Remarks are listed on the next page.)

- Note 1.** Total current flowing into  $V_{DD}$  and  $EV_{DD0}$ , including the input leakage current flowing when the level of the input pin is fixed to  $V_{DD}$ ,  $EV_{DD0}$  or  $V_{SS}$ ,  $EV_{SS0}$ . The values below the MAX. column include the peripheral operation current. However, not including the current flowing into the A/D converter, LVD circuit, I/O port, and on-chip pull-up/pull-down resistors.
- Note 2.** During HALT instruction execution by flash memory.
- Note 3.** When high-speed on-chip oscillator and subsystem clock are stopped.
- Note 4.** When high-speed system clock and subsystem clock are stopped.
- Note 5.** When operating real-time clock (RTC) and setting ultra-low current consumption ( $AMP_{HS1} = 1$ ). When high-speed on-chip oscillator and high-speed system clock are stopped. When watchdog timer is stopped. The values below the MAX. column include the leakage current.
- Note 6.** When high-speed on-chip oscillator, high-speed system clock, and subsystem clock are stopped. When watchdog timer is stopped. The values below the MAX. column include the leakage current.
- Note 7.** Relationship between operation voltage width, operation frequency of CPU and operation mode is as below.  
 High speed operation:  $V_{DD} = 2.7\text{ V to }5.5\text{ V}@1\text{ MHz to }32\text{ MHz}$   
 $V_{DD} = 2.4\text{ V to }5.5\text{ V}@1\text{ MHz to }16\text{ MHz}$   
 Low speed operation:  $V_{DD} = 1.8\text{ V to }5.5\text{ V}@1\text{ MHz to }8\text{ MHz}$   
 Low voltage operation:  $V_{DD} = 1.6\text{ V to }5.5\text{ V}@1\text{ MHz to }4\text{ MHz}$
- Remark 1.**  $f_{MX}$ : High-speed system clock frequency (X1 clock oscillation frequency or external main system clock frequency)
- Remark 2.**  $f_{HOCO}$ : High-speed on-chip oscillator clock frequency (64 MHz max.)
- Remark 3.**  $f_{IH}$ : High-speed on-chip oscillator clock frequency (32 MHz max.) <sup>Note</sup>
- Remark 4.**  $f_{SUB}$ : Subsystem clock frequency (XT1 clock oscillation frequency)
- Remark 5.** Except subsystem clock operation and STOP mode, temperature condition of the TYP. value is  $T_A = 25\text{ }^\circ\text{C}$
- Note**  $f_{IH}$  is controlled by hardware to be set to two frequency division of  $f_{HOCO}$  when  $f_{HOCO}$  is set to 64 MHz or 48 MHz, and the same clock frequency as  $f_{HOCO}$  when  $f_{HOCO}$  is set to 32 MHz or less. When supplying 64 MHz or 48 MHz to timer RD, set  $f_{CLK}$  to  $f_{IH}$ .

**Caution** The pins mounted depend on the product. Refer to 1.3.1 30-pin products to 1.3.10 100-pin products.

**(2) Flash ROM: 96 to 256 KB of 30- to 100-pin products**

( $T_A = -40$  to  $+85$  °C,  $1.6\text{ V} \leq EV_{DD0} = EV_{DD1} \leq V_{DD} \leq 5.5\text{ V}$ ,  $V_{SS} = EV_{SS0} = EV_{SS1} = 0\text{ V}$ )

(1/2)

| Parameter                           | Symbol                           | Conditions                          |                                    |                                    |                                 | MIN.             | TYP.        | MAX. | Unit |    |      |
|-------------------------------------|----------------------------------|-------------------------------------|------------------------------------|------------------------------------|---------------------------------|------------------|-------------|------|------|----|------|
| Supply current<br>Note 1            | IDD1                             | Operating mode                      | High-speed operation<br>Notes 3, 5 | fHOCO = 64 MHz,<br>fIH = 32 MHz    | Basic operation                 | VDD = 5.0 V      |             | 2.6  |      | mA |      |
|                                     |                                  |                                     |                                    |                                    |                                 | VDD = 3.0 V      |             | 2.6  |      |    |      |
|                                     |                                  |                                     |                                    | fHOCO = 32 MHz,<br>fIH = 32 MHz    | Basic operation                 | VDD = 5.0 V      |             | 2.3  |      |    |      |
|                                     |                                  |                                     |                                    |                                    |                                 | VDD = 3.0 V      |             | 2.3  |      |    |      |
|                                     |                                  |                                     |                                    | High-speed operation<br>Notes 3, 5 | fHOCO = 64 MHz,<br>fIH = 32 MHz | Normal operation | VDD = 5.0 V |      | 5.8  |    | 10.2 |
|                                     |                                  |                                     |                                    |                                    |                                 |                  | VDD = 3.0 V |      | 5.8  |    | 10.2 |
|                                     |                                  |                                     | fHOCO = 32 MHz,<br>fIH = 32 MHz    |                                    | Normal operation                | VDD = 5.0 V      |             | 5.4  | 9.6  |    |      |
|                                     |                                  |                                     |                                    |                                    |                                 | VDD = 3.0 V      |             | 5.4  | 9.6  |    |      |
|                                     |                                  |                                     | fHOCO = 48 MHz,<br>fIH = 24 MHz    |                                    | Normal operation                | VDD = 5.0 V      |             | 4.5  | 7.8  |    |      |
|                                     |                                  |                                     |                                    |                                    |                                 | VDD = 3.0 V      |             | 4.5  | 7.8  |    |      |
|                                     |                                  |                                     | fHOCO = 24 MHz,<br>fIH = 24 MHz    | Normal operation                   | VDD = 5.0 V                     |                  | 4.2         | 7.4  |      |    |      |
|                                     |                                  |                                     |                                    |                                    | VDD = 3.0 V                     |                  | 4.2         | 7.4  |      |    |      |
|                                     |                                  | fHOCO = 16 MHz,<br>fIH = 16 MHz     | Normal operation                   | VDD = 5.0 V                        |                                 | 3.1              | 5.3         |      |      |    |      |
|                                     |                                  |                                     |                                    | VDD = 3.0 V                        |                                 | 3.1              | 5.3         |      |      |    |      |
|                                     |                                  | Low-speed operation<br>Notes 3, 5   | fHOCO = 8 MHz,<br>fIH = 8 MHz      | Normal operation                   | VDD = 3.0 V                     |                  | 1.4         | 2.3  |      |    |      |
|                                     |                                  |                                     |                                    |                                    | VDD = 2.0 V                     |                  | 1.4         | 2.3  |      |    |      |
|                                     |                                  | Low-voltage operation<br>Notes 3, 5 | fHOCO = 4 MHz,<br>fIH = 4 MHz      | Normal operation                   | VDD = 3.0 V                     |                  | 1.4         | 1.9  |      |    |      |
|                                     |                                  |                                     |                                    |                                    | VDD = 2.0 V                     |                  | 1.4         | 1.9  |      |    |      |
|                                     |                                  | High-speed operation<br>Notes 2, 5  | fMX = 20 MHz,<br>VDD = 5.0 V       | Normal operation                   | Square wave input               |                  | 3.7         | 6.2  |      |    |      |
|                                     |                                  |                                     |                                    |                                    | Resonator connection            |                  | 3.9         | 6.4  |      |    |      |
|                                     |                                  |                                     |                                    | Normal operation                   | Square wave input               |                  | 3.7         | 6.2  |      |    |      |
|                                     |                                  |                                     |                                    |                                    | Resonator connection            |                  | 3.9         | 6.4  |      |    |      |
|                                     |                                  |                                     | fMX = 10 MHz,<br>VDD = 5.0 V       | Normal operation                   | Square wave input               |                  | 2.2         | 3.6  |      |    |      |
|                                     |                                  |                                     |                                    |                                    | Resonator connection            |                  | 2.3         | 3.7  |      |    |      |
| Normal operation                    | Square wave input                |                                     |                                    |                                    | 2.2                             | 3.6              |             |      |      |    |      |
|                                     | Resonator connection             |                                     |                                    |                                    | 2.3                             | 3.7              |             |      |      |    |      |
| Low-speed operation<br>Notes 2, 5   | fMX = 8 MHz,<br>VDD = 3.0 V      | Normal operation                    | Square wave input                  |                                    | 1.3                             | 2.2              |             |      |      |    |      |
|                                     |                                  |                                     | Resonator connection               |                                    | 1.3                             | 2.3              |             |      |      |    |      |
|                                     | fMX = 8 MHz,<br>VDD = 2.0 V      | Normal operation                    | Square wave input                  |                                    | 1.3                             | 2.2              |             |      |      |    |      |
|                                     |                                  |                                     | Resonator connection               |                                    | 1.3                             | 2.3              |             |      |      |    |      |
| Subsystem clock operation<br>Note 4 | fSUB = 32.768 kHz<br>TA = -40 °C | Normal operation                    | Square wave input                  |                                    | 5.0                             |                  |             |      |      |    |      |
|                                     |                                  |                                     | Resonator connection               |                                    | 5.0                             |                  |             |      |      |    |      |
|                                     | fSUB = 32.768 kHz<br>TA = +25 °C | Normal operation                    | Square wave input                  |                                    | 5.0                             | 7.1              |             |      |      |    |      |
|                                     |                                  |                                     | Resonator connection               |                                    | 5.0                             | 7.1              |             |      |      |    |      |
|                                     | fSUB = 32.768 kHz<br>TA = +50 °C | Normal operation                    | Square wave input                  |                                    | 5.1                             | 8.8              |             |      |      |    |      |
|                                     |                                  |                                     | Resonator connection               |                                    | 5.1                             | 8.8              |             |      |      |    |      |
|                                     | fSUB = 32.768 kHz<br>TA = +70 °C | Normal operation                    | Square wave input                  |                                    | 5.5                             | 10.5             |             |      |      |    |      |
|                                     |                                  |                                     | Resonator connection               |                                    | 5.5                             | 10.5             |             |      |      |    |      |
| fSUB = 32.768 kHz<br>TA = +85 °C    | Normal operation                 | Square wave input                   |                                    | 6.5                                | 14.5                            |                  |             |      |      |    |      |
|                                     |                                  | Resonator connection                |                                    | 6.5                                | 14.5                            |                  |             |      |      |    |      |

(Notes and Remarks are listed on the next page.)



- Note 1.** Total current flowing into  $V_{DD}$ ,  $EV_{DD0}$  and  $EV_{DD1}$ , including the input leakage current flowing when the level of the input pin is fixed to  $V_{DD}$ ,  $EV_{DD0}$  or  $V_{SS}$ ,  $EV_{SS0}$ . The values below the MAX. column include the peripheral operation current (except for background operation (BGO)). However, not including the current flowing into the A/D converter, D/A converter, comparator, LVD circuit, I/O port, and on-chip pull-up/pull-down resistors.
- Note 2.** When high-speed on-chip oscillator and subsystem clock are stopped.
- Note 3.** When high-speed system clock and subsystem clock are stopped.
- Note 4.** When high-speed on-chip oscillator and high-speed system clock are stopped. When real-time counter and watchdog timer is stopped. When  $AMPHS1 = 1$  (Ultra-low power consumption oscillation).
- Note 5.** Relationship between operation voltage width, operation frequency of CPU and operation mode is as below.  
 High speed operation:  $V_{DD} = 2.7\text{ V to }5.5\text{ V}@1\text{ MHz to }32\text{ MHz}$   
 $V_{DD} = 2.4\text{ V to }5.5\text{ V}@1\text{ MHz to }16\text{ MHz}$   
 Low speed operation:  $V_{DD} = 1.8\text{ V to }5.5\text{ V}@1\text{ MHz to }8\text{ MHz}$   
 Low voltage operation:  $V_{DD} = 1.6\text{ V to }5.5\text{ V}@1\text{ MHz to }4\text{ MHz}$

**Remark 1.**  $f_{MX}$ : High-speed system clock frequency (X1 clock oscillation frequency or external main system clock frequency)

**Remark 2.**  $f_{HOCO}$ : High-speed on-chip oscillator clock frequency (64 MHz max.)

**Remark 3.**  $f_{IH}$ : High-speed on-chip oscillator clock frequency (32 MHz max.) <sup>Note</sup>

**Remark 4.**  $f_{SUB}$ : Subsystem clock frequency (XT1 clock oscillation frequency)

**Remark 5.** Except subsystem clock operation, temperature condition of the TYP. value is  $T_A = 25\text{ }^\circ\text{C}$

**Note**  $f_{IH}$  is controlled by hardware to be set to two frequency division of  $f_{HOCO}$  when  $f_{HOCO}$  is set to 64 MHz or 48 MHz, and the same clock frequency as  $f_{HOCO}$  when  $f_{HOCO}$  is set to 32 MHz or less. When supplying 64 MHz or 48 MHz to timer RD, set  $f_{CLK}$  to  $f_{IH}$ .

**Caution** The pins mounted depend on the product. Refer to 1.3.1 30-pin products to 1.3.10 100-pin products.

**(2) Flash ROM: 96 to 256 KB of 30- to 100-pin products**

( $T_A = -40$  to  $+85$  °C,  $1.6\text{ V} \leq EV_{DD0} = EV_{DD1} \leq V_{DD} \leq 5.5\text{ V}$ ,  $V_{SS} = EV_{SS0} = EV_{SS1} = 0\text{ V}$ )

**(2/2)**

| Parameter                         | Symbol               | Conditions          |                                     | MIN.                              | TYP.                          | MAX.        | Unit |    |     |    |
|-----------------------------------|----------------------|---------------------|-------------------------------------|-----------------------------------|-------------------------------|-------------|------|----|-----|----|
| Supply current<br>Note 1          | IDD2                 | HALT mode<br>Note 2 | High-speed operation<br>Notes 4, 7  | fHOCO = 64 MHz,<br>fIH = 32 MHz   | VDD = 5.0 V                   | 0.88        | 3.32 | mA |     |    |
|                                   |                      |                     |                                     |                                   | VDD = 3.0 V                   | 0.88        | 3.32 |    |     |    |
|                                   |                      |                     |                                     | fHOCO = 32 MHz,<br>fIH = 32 MHz   | VDD = 5.0 V                   | 0.62        | 2.63 |    |     |    |
|                                   |                      |                     |                                     |                                   | VDD = 3.0 V                   | 0.62        | 2.63 |    |     |    |
|                                   |                      |                     |                                     | fHOCO = 48 MHz,<br>fIH = 24 MHz   | VDD = 5.0 V                   | 0.68        | 2.57 |    |     |    |
|                                   |                      |                     |                                     |                                   | VDD = 3.0 V                   | 0.68        | 2.57 |    |     |    |
|                                   |                      |                     |                                     | fHOCO = 24 MHz,<br>fIH = 24 MHz   | VDD = 5.0 V                   | 0.50        | 2.00 |    |     |    |
|                                   |                      |                     |                                     |                                   | VDD = 3.0 V                   | 0.50        | 2.00 |    |     |    |
|                                   |                      |                     |                                     | fHOCO = 16 MHz,<br>fIH = 16 MHz   | VDD = 5.0 V                   | 0.44        | 1.49 |    |     |    |
|                                   |                      |                     |                                     |                                   | VDD = 3.0 V                   | 0.44        | 1.49 |    |     |    |
|                                   |                      |                     |                                     | Low-speed operation<br>Notes 4, 7 | fHOCO = 8 MHz,<br>fIH = 8 MHz | VDD = 3.0 V | 290  |    | 800 | μA |
|                                   |                      |                     |                                     |                                   |                               | VDD = 2.0 V | 290  |    | 800 |    |
|                                   |                      |                     | Low-voltage operation<br>Notes 4, 7 | fHOCO = 4 MHz,<br>fIH = 4 MHz     | VDD = 3.0 V                   | 440         | 755  | μA |     |    |
|                                   |                      |                     |                                     |                                   | VDD = 2.0 V                   | 440         | 755  |    |     |    |
|                                   |                      |                     | High-speed operation<br>Notes 3, 7  | fMX = 20 MHz,<br>VDD = 5.0 V      | Square wave input             | 0.31        | 1.63 | mA |     |    |
|                                   |                      |                     |                                     |                                   | Resonator connection          | 0.50        | 1.85 |    |     |    |
|                                   |                      |                     |                                     |                                   | Square wave input             | 0.31        | 1.63 |    |     |    |
|                                   |                      |                     |                                     |                                   | Resonator connection          | 0.50        | 1.85 |    |     |    |
|                                   |                      |                     |                                     | fMX = 10 MHz,<br>VDD = 5.0 V      | Square wave input             | 0.21        | 0.89 |    |     |    |
|                                   |                      |                     |                                     |                                   | Resonator connection          | 0.30        | 0.97 |    |     |    |
|                                   |                      |                     |                                     | fMX = 10 MHz,<br>VDD = 3.0 V      | Square wave input             | 0.21        | 0.89 |    |     |    |
|                                   |                      |                     |                                     |                                   | Resonator connection          | 0.30        | 0.97 |    |     |    |
|                                   |                      |                     | Low-speed operation<br>Notes 3, 7   | fMX = 8 MHz,<br>VDD = 3.0 V       | Square wave input             | 110         | 580  | μA |     |    |
|                                   |                      |                     |                                     |                                   | Resonator connection          | 160         | 630  |    |     |    |
|                                   |                      |                     |                                     | fMX = 8 MHz,<br>VDD = 2.0 V       | Square wave input             | 110         | 580  |    |     |    |
|                                   |                      |                     |                                     |                                   | Resonator connection          | 160         | 630  |    |     |    |
|                                   |                      |                     | Subsystem clock operation<br>Note 5 | fsUB = 32.768 kHz,<br>TA = -40 °C | Square wave input             | 0.28        |      | μA |     |    |
|                                   |                      |                     |                                     |                                   | Resonator connection          | 0.47        |      |    |     |    |
|                                   |                      |                     |                                     | fsUB = 32.768 kHz,<br>TA = +25 °C | Square wave input             | 0.34        | 0.66 |    |     |    |
|                                   |                      |                     |                                     |                                   | Resonator connection          | 0.53        | 0.85 |    |     |    |
|                                   |                      |                     |                                     | fsUB = 32.768 kHz,<br>TA = +50 °C | Square wave input             | 0.37        | 2.35 |    |     |    |
|                                   |                      |                     |                                     |                                   | Resonator connection          | 0.56        | 2.54 |    |     |    |
| fsUB = 32.768 kHz,<br>TA = +70 °C | Square wave input    | 0.61                |                                     | 4.08                              |                               |             |      |    |     |    |
|                                   | Resonator connection | 0.80                |                                     | 4.27                              |                               |             |      |    |     |    |
| fsUB = 32.768 kHz,<br>TA = +85 °C | Square wave input    | 1.55                | 8.09                                |                                   |                               |             |      |    |     |    |
|                                   | Resonator connection | 1.74                | 8.28                                |                                   |                               |             |      |    |     |    |
| IDD3                              | STOP mode<br>Note 6  | TA = -40 °C         |                                     | 0.19                              |                               | μA          |      |    |     |    |
|                                   |                      | TA = +25 °C         |                                     | 0.25                              | 0.57                          |             |      |    |     |    |
|                                   |                      | TA = +50 °C         |                                     | 0.28                              | 2.26                          |             |      |    |     |    |
|                                   |                      | TA = +70 °C         |                                     | 0.52                              | 3.99                          |             |      |    |     |    |
|                                   |                      | TA = +85 °C         |                                     | 1.46                              | 8.00                          |             |      |    |     |    |

(Notes and Remarks are listed on the next page.)

- Note 1.** Total current flowing into  $V_{DD}$ ,  $EV_{DD0}$  and  $EV_{DD1}$ , including the input leakage current flowing when the level of the input pin is fixed to  $V_{DD}$ ,  $EV_{DD0}$ ,  $EV_{DD1}$  or  $V_{SS}$ ,  $EV_{SS0}$ ,  $EV_{SS1}$ . The values below the MAX. column include the peripheral operation current. However, not including the current flowing into the A/D converter, D/A converter, comparator, LVD circuit, I/O port, and on-chip pull-up/pull-down resistors.
- Note 2.** During HALT instruction execution by flash memory.
- Note 3.** When high-speed on-chip oscillator and subsystem clock are stopped.
- Note 4.** When high-speed system clock and subsystem clock are stopped.
- Note 5.** When operating real-time clock (RTC) and setting ultra-low current consumption ( $AMP_{HS1} = 1$ ). When high-speed on-chip oscillator and high-speed system clock are stopped. When watchdog timer is stopped. The values below the MAX. column include the leakage current.
- Note 6.** When high-speed on-chip oscillator, high-speed system clock, and subsystem clock are stopped. When watchdog timer is stopped. The values below the MAX. column include the leakage current.
- Note 7.** Relationship between operation voltage width, operation frequency of CPU and operation mode is as below.  
 High speed operation:  $V_{DD} = 2.7\text{ V to }5.5\text{ V}@1\text{ MHz to }32\text{ MHz}$   
 $V_{DD} = 2.4\text{ V to }5.5\text{ V}@1\text{ MHz to }16\text{ MHz}$   
 Low speed operation:  $V_{DD} = 1.8\text{ V to }5.5\text{ V}@1\text{ MHz to }8\text{ MHz}$   
 Low voltage operation:  $V_{DD} = 1.6\text{ V to }5.5\text{ V}@1\text{ MHz to }4\text{ MHz}$
- Remark 1.**  $f_{MX}$ : High-speed system clock frequency (X1 clock oscillation frequency or external main system clock frequency)
- Remark 2.**  $f_{HOCO}$ : High-speed on-chip oscillator clock frequency (64 MHz max.)
- Remark 3.**  $f_{IH}$ : High-speed on-chip oscillator clock frequency (32 MHz max.) <sup>Note</sup>
- Remark 4.**  $f_{SUB}$ : Subsystem clock frequency (XT1 clock oscillation frequency)
- Remark 5.** Except subsystem clock operation and STOP mode, temperature condition of the TYP. value is  $T_A = 25\text{ }^\circ\text{C}$
- Note**  $f_{IH}$  is controlled by hardware to be set to two frequency division of  $f_{HOCO}$  when  $f_{HOCO}$  is set to 64 MHz or 48 MHz, and the same clock frequency as  $f_{HOCO}$  when  $f_{HOCO}$  is set to 32 MHz or less. When supplying 64 MHz or 48 MHz to timer RD, set  $f_{CLK}$  to  $f_{IH}$ .

**Caution** The pins mounted depend on the product. Refer to 1.3.1 30-pin products to 1.3.10 100-pin products.

**(3) Common to RL78/G14 all products**

( $T_A = -40$  to  $+85$  °C,  $1.6$  V  $\leq$  EVDD0 = EVDD1  $\leq$  VDD  $\leq$  5.5 V, VSS = EVSS0 = EVSS1 = 0 V)

| Parameter                               | Symbol             | Conditions                                       |  | MIN. | TYP. | MAX.  | Unit    |
|---|--------------------|--|--|------|------|-------|---------|
| RTC operating current                   | IRTC<br>Notes 1, 2 | fSUB = 32.768 kHz                                | Real-time clock operation              |      | 0.02 |       | $\mu$ A |
|   |                    |  | 12-bit interval timer operation        |      | 0.02 |       |         |
| Watchdog timer operating current        | IWDT<br>Notes 2, 3 | fIL = 15 kHz                                     |  |      | 0.22 |       | $\mu$ A |
| A/D converter operating current         | IADC<br>Note 4     | When conversion at maximum speed                 | Normal mode, AVREFP = VDD = 5.0 V      |      | 1.3  | 1.7   | mA      |
|   |                    |  | Low voltage mode, AVREFP = VDD = 3.0 V |      | 0.5  | 0.7   | mA      |
| A/D converter reference voltage current | IADREF             |  |  |      | 75   |       | $\mu$ A |
| D/A converter operating current         | IDAC<br>Notes 5, 9 | Per D/A converter channel                        |  |      |      | 1.5   | mA      |
| Comparator operating current            | ICMP<br>Notes 6, 9 | VDD = 5.0 V,<br>Regulator output voltage = 2.1 V | Window comparator mode                 |      | 12.5 |       | $\mu$ A |
|   |                    |  | High-speed comparator mode             |      | 6.5  |       | $\mu$ A |
|   |                    |  | Low-speed comparator mode              |      | 1.7  |       | $\mu$ A |
|   |                    | VDD = 5.0 V,<br>Regulator output voltage = 1.8 V | Window comparator mode                 |      | 8.0  |       | $\mu$ A |
|   |                    |  | High-speed comparator mode             |      | 4.0  |       | $\mu$ A |
|   |                    |  | Low-speed comparator mode              |      | 1.3  |       | $\mu$ A |
| Temperature sensor operating current    | ITMPS              |  |  |      | 75   |       | $\mu$ A |
| LVD operating current                   | ILVI<br>Note 7     |  |  |      | 0.08 |       | $\mu$ A |
| BGO operating current                   | IBGO<br>Note 8     |  |  |      | 2.50 | 12.20 | mA      |

**Note 1.** Current flowing only to the real-time clock (excluding the operating current of the XT1 oscillator). The TYP. value of the current value of the RL78/G14 is the sum of the TYP. values of either IDD1 or IDD2, and IRTC, when the real-time clock operates in operation mode or HALT mode. The IDD1 and IDD2 MAX. values also include the real-time clock operating current. However, IDD2 subsystem clock operation includes the operational current of the real-time clock.

**Note 2.** When high speed on-chip oscillator and high-speed system clock are stopped.

**Note 3.** Current flowing only to the watchdog timer (including the operating current of the low-speed on-chip oscillator). The current value of the RL78/G14 is the sum of IDD1, IDD2 or IDD3 and IWDT when the watchdog timer operates in STOP mode.

**Note 4.** Current flowing only to the A/D converter. The current value of the RL78/G14 is the sum of IDD1 or IDD2 and IADC when the A/D converter operates in an operation mode or the HALT mode.

**Note 5.** Current flowing only to the D/A converter. The current value of the RL78/G14 is the sum of IDD1 or IDD2 and IADC when the D/A converter operates in an operation mode or the HALT mode.

**Note 6.** Current flowing only to the comparator circuit. The current value of the RL78/G14 is the sum of IDD1, IDD2 or IDD3 and ICMP when the comparator circuit operates in the Operating, HALT or STOP mode.

**Note 7.** Current flowing only to the LVD circuit. The current value of the RL78/G14 is the sum of IDD1, IDD2 or IDD3 and ILVI when the LVD circuit operates in the Operating, HALT or STOP mode.

**Note 8.** Current flowing only to the BGO. The current value of the RL78/G14 is the sum of IDD1 or IDD2 and IBGO when the BGO operates in an operation mode.

**Note 9.** A comparator and D/A converter are provided in products with 96 KB or more code flash memory.

**Remark 1.** fIL: Low-speed on-chip oscillator clock frequency

**Remark 2.** fSUB: Subsystem clock frequency (XT1 clock oscillation frequency)

**Remark 3.** fCLK: CPU/peripheral hardware clock frequency

**Remark 4.** Temperature condition of the TYP. value is  $T_A = 25$  °C

**Caution** The pins mounted depend on the product. Refer to 1.3.1 30-pin products to 1.3.10 100-pin products.

## 2.4 AC Characteristics

### 2.4.1 Basic operation

( $T_A = -40$  to  $+85$  °C,  $1.6\text{ V} \leq EV_{DD0} = EV_{DD1} \leq V_{DD} \leq 5.5\text{ V}$ ,  $V_{SS} = EV_{SS0} = EV_{SS1} = 0\text{ V}$ )

(1/2)

| Items  | Symbol                                       | Conditions   |  | MIN.   | TYP.    | MAX. | Unit |    |
|--|--|--|--|--|---------|------|------|----|
| Instruction cycle<br>(minimum instruction<br>execution time)             | T <sub>cy</sub>                              | Main system<br>clock (f <sub>MAIN</sub> )<br>operation | High-speed<br>main mode                        | $2.7\text{ V} \leq V_{DD} \leq 5.5\text{ V}$ | 0.03125 |      | 1    | μs |
|  |  |  |  | $2.4\text{ V} \leq V_{DD} < 2.7\text{ V}$    | 0.0625  |      | 1    | μs |
|  |  |  | Low voltage<br>main mode                       | $1.6\text{ V} \leq V_{DD} \leq 5.5\text{ V}$ | 0.25    |      | 1    | μs |
|  |  |  | Low-speed<br>main mode                         | $1.8\text{ V} \leq V_{DD} \leq 5.5\text{ V}$ | 0.125   |      | 1    | μs |
|  |  |  | Subsystem clock (f <sub>SUB</sub> ) operation  | $1.8\text{ V} \leq V_{DD} \leq 5.5\text{ V}$ | 28.5    | 30.5 | 31.3 | μs |
|  |  | In the self<br>programming<br>mode                     | High-speed<br>main mode                        | $2.7\text{ V} \leq V_{DD} \leq 5.5\text{ V}$ | 0.03125 |      | 1    | μs |
|  | $2.4\text{ V} \leq V_{DD} < 2.7\text{ V}$    |  |  | 0.0625                                       |         | 1    | μs   |    |
|  | Low voltage<br>main mode                     |  | $1.8\text{ V} \leq V_{DD} \leq 5.5\text{ V}$   | 0.25   |         | 1    | μs   |    |
| Low-speed<br>main mode   | $1.8\text{ V} \leq V_{DD} \leq 5.5\text{ V}$ |  | 0.125  |  | 1       | μs   |      |    |
| External main system<br>clock frequency                                  | f <sub>ex</sub>                              | $2.7\text{ V} \leq V_{DD} \leq 5.5\text{ V}$           |  | 1.0  |         | 20.0 | MHz  |    |
|  |  | $1.8\text{ V} \leq V_{DD} < 2.7\text{ V}$              |  | 1.0  |         | 8.0  | MHz  |    |
|  |  | $1.6\text{ V} \leq V_{DD} < 1.8\text{ V}$              |  | 1.0  |         | 4.0  | MHz  |    |
|  | f <sub>exs</sub>                             |  |  | 32   |         | 35   | kHz  |    |
| External main system<br>clock input high-level<br>width, low-level width | t <sub>EXH</sub> ,<br>t <sub>EXL</sub>       | $2.7\text{ V} \leq V_{DD} \leq 5.5\text{ V}$           |  | 24   |         |      | ns   |    |
|  |  | $1.8\text{ V} \leq V_{DD} < 2.7\text{ V}$              |  | 60   |         |      | ns   |    |
|  |  | $1.6\text{ V} \leq V_{DD} < 1.8\text{ V}$              |  | 120  |         |      | ns   |    |
|  | t <sub>EXHS</sub> ,<br>t <sub>EXLS</sub>     |  |  | 13.7   |         |      | μs   |    |
| T100 to T103, T110 to<br>T113 input high-level<br>width, low-level width | t <sub>TIH</sub> , t <sub>TIL</sub>          |  |  | 1/f <sub>MCK</sub> + 10<br>Note              |         |      | ns   |    |
| Timer RJ input cycle   | f <sub>c</sub>                               | TRJIO  | $2.7\text{ V} \leq EV_{DD0} \leq 5.5\text{ V}$ | 100  |         |      | ns   |    |
|  |  |  | $1.8\text{ V} \leq EV_{DD0} < 2.7\text{ V}$    | 300  |         |      | ns   |    |
|  |  |  | $1.6\text{ V} \leq EV_{DD0} < 1.8\text{ V}$    | 500  |         |      | ns   |    |
| Timer RJ input high-<br>level width, low-level<br>width                  | f <sub>WH</sub> , f <sub>WL</sub>            | TRJIO  | $2.7\text{ V} \leq EV_{DD0} \leq 5.5\text{ V}$ | 40   |         |      | ns   |    |
|  |  |  | $1.8\text{ V} \leq EV_{DD0} < 2.7\text{ V}$    | 120  |         |      | ns   |    |
|  |  |  | $1.6\text{ V} \leq EV_{DD0} < 1.8\text{ V}$    | 200  |         |      | ns   |    |

**Note** The following conditions are required for low voltage interface when  $EV_{DD0} < V_{DD}$

$1.8\text{ V} \leq EV_{DD0} < 2.7\text{ V}$  : MIN. 125 ns

$1.6\text{ V} \leq EV_{DD0} < 1.8\text{ V}$  : MIN. 250 ns

**Remark** f<sub>MCK</sub>: Timer array unit operation clock frequency

(Operation clock to be set by the CKSmn bit of timer mode register mn (TMRmn). m: Unit number (m = 0, 1), n: Channel number (n = 0 to 3))

(TA = -40 to +85 °C, 1.6 V ≤ EVDD0 = EVDD1 ≤ VDD ≤ 5.5 V, VSS = EVSS0 = EVSS1 = 0 V)

(2/2)

| Items   | Symbol                                   | Conditions            | MIN.                  | TYP. | MAX. | Unit |
|---|--|-----------------------|-----------------------|------|------|------|
| TO00 to TO03, TO10 to T13 output frequency        | f <sub>TO</sub>                          | High-speed main mode  | 4.0 V ≤ EVDD0 ≤ 5.5 V |      | 16   | MHz  |
|   |  |                       | 2.7 V ≤ EVDD0 < 4.0 V |      | 8    | MHz  |
|   |  |                       | 1.8 V ≤ EVDD0 < 2.7 V |      | 4    | MHz  |
|   |  |                       | 1.6 V ≤ EVDD0 < 1.8 V |      | 2    | MHz  |
|   |  | Low voltage main mode | 1.6 V ≤ EVDD0 ≤ 5.5 V |      | 2    | MHz  |
|   |  | Low-speed main mode   | 1.8 V ≤ EVDD0 ≤ 5.5 V |      | 4    | MHz  |
|   |  |                       |                       |      | 2    | MHz  |
| PCLBUZ0, PCLBUZ1 output frequency                 | f <sub>PCL</sub>                         | High-speed main mode  | 4.0 V ≤ EVDD0 ≤ 5.5 V |      | 16   | MHz  |
|   |  |                       | 2.7 V ≤ EVDD0 < 4.0 V |      | 8    | MHz  |
|   |  |                       | 1.8 V ≤ EVDD0 < 2.7 V |      | 4    | MHz  |
|   |  |                       | 1.6 V ≤ EVDD0 < 1.8 V |      | 2    | MHz  |
|   |  | Low voltage main mode | 1.8 V ≤ EVDD0 ≤ 5.5 V |      | 4    | MHz  |
|   |  | Low-speed main mode   | 1.6 V ≤ EVDD0 < 1.8 V |      | 2    | MHz  |
| Interrupt input high-level width, low-level width | t <sub>INTH</sub> ,<br>t <sub>INTL</sub> | INTP0                 | 1.6 V ≤ VDD ≤ 5.5 V   | 1    |      | μs   |
|   |  | INTP1 to INTP11       | 1.6 V ≤ EVDD0 ≤ 5.5 V | 1    |      | μs   |
| Key interrupt input low-level width               | t <sub>KR</sub>                          | 1.8 V ≤ EVDD0 ≤ 5.5 V | 250                   |      |      | ns   |
|   |  | 1.6 V ≤ EVDD0 < 1.8 V | 1                     |      |      | μs   |
| RESET low-level width                             | t <sub>RSL</sub>                         |                       | 10                    |      |      | μs   |

**Caution** The pins mounted depend on the product. Refer to 1.3.1 30-pin products to 1.3.10 100-pin products.

## 2.5 Peripheral Functions Characteristics

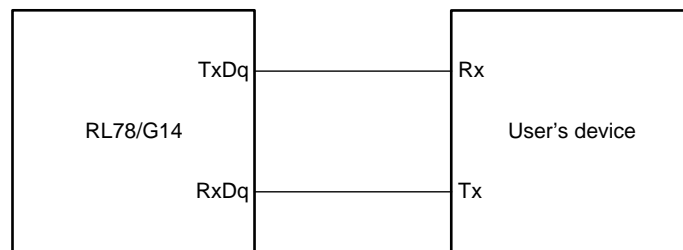
### 2.5.1 Serial array unit

(1) During communication at same potential (UART mode) (dedicated baud rate generator output)

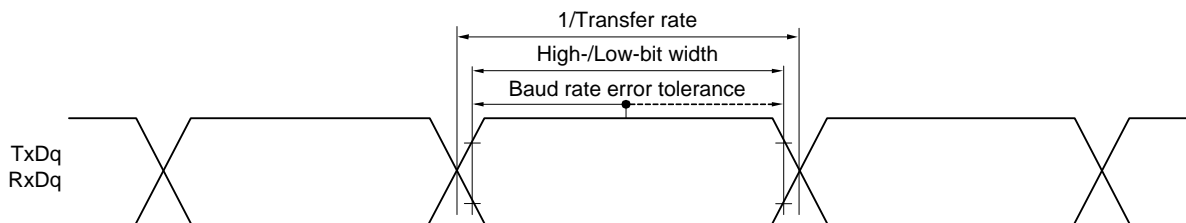
( $T_A = -40$  to  $+85$  °C,  $1.6\text{ V} \leq EV_{DD0} = EV_{DD1} \leq 5.5\text{ V}$ ,  $V_{SS} = EV_{SS0} = EV_{SS1} = 0\text{ V}$ )

| Parameter            | Symbol | Conditions  | MIN. | TYP. | MAX.          | Unit |
|----------------------|--------|---|------|------|---------------|------|
| Transfer rate Note 1 |        |   |      |      | fMCK/6 Note 2 | bps  |
|                      |        | Theoretical value of the maximum transfer rate fCLK = 32 MHz, fMCK = fCLK |      |      | 5.3           | Mbps |

UART mode connection diagram (during communication at same potential)



UART mode bit width (during communication at same potential) (reference)



**Note 1.** Transfer rate in the SNOOZE mode is MAX. 9600 bps and MIN. 4800 bps.

**Note 2.** The following conditions are required for low voltage interface when  $EV_{DD0} < V_{DD}$ .

$2.4\text{ V} \leq EV_{DD0} < 2.7\text{ V}$  : MAX. 2.6 Mbps

$1.8\text{ V} \leq EV_{DD0} < 2.4\text{ V}$  : MAX. 1.3 Mbps

$1.6\text{ V} \leq EV_{DD0} < 1.8\text{ V}$  : MAX. 0.6 Mbps

**Caution** Select the normal input buffer for the RxDq pin and the normal output mode for the TxDq pin by using port input mode register g (PIMg) and port output mode register g (POMg).

**Remark 1.** q: UART number (q = 0 to 3), g: PIM and POM number (g = 0, 1, 5, 14)

**Remark 2.** fMCK: Serial array unit operation clock frequency

(Operation clock to be set by the CKSmn bit of serial mode register mn (SMRmn). m: Unit number, n: Channel number (mn = 00 to 03, 10 to 13))

**Caution** The pins mounted depend on the product. Refer to 1.3.1 30-pin products to 1.3.10 100-pin products.

**(2) During communication at same potential (CSI mode) (master mode (fmck/2),  $\overline{\text{SCKp}}$ ... internal clock output)**  
**(TA = -40 to +85 °C, 2.7 V ≤ EVDD0 = EVDD1 ≤ VDD ≤ 5.5 V, VSS = EVSS0 = EVSS1 = 0 V)**

| Parameter  | Symbol        | Conditions            | MIN.         | TYP. | MAX. | Unit |
|--|---------------|-----------------------|--------------|------|------|------|
| $\overline{\text{SCKp}}$ cycle time  | tkCY1         | 2.7 V ≤ EVDD0 ≤ 5.5 V | 62.5 Note 1  |      |      | ns   |
| $\overline{\text{SCKp}}$ high-/low-level width                             | tkH1,<br>tkL1 | 4.0 V ≤ EVDD0 ≤ 5.5 V | tkCY1/2 - 7  |      |      | ns   |
|  |               | 2.7 V ≤ EVDD0 ≤ 5.5 V | tkCY1/2 - 10 |      |      | ns   |
| Slp setup time (to $\overline{\text{SCKp}}\uparrow$ ) Note 2               | tsIK1         | 4.0 V ≤ EVDD0 ≤ 5.5 V | 23           |      |      | ns   |
|  |               | 2.7 V ≤ EVDD0 ≤ 5.5 V | 33 Note 5    |      |      | ns   |
| Slp hold time (from $\overline{\text{SCKp}}\uparrow$ ) Note 3              | tkSI1         | 2.7 V ≤ EVDD0 ≤ 5.5 V | 10           |      |      | ns   |
| Delay time from $\overline{\text{SCKp}}\downarrow$ to SOp output<br>Note 4 | tkSO1         | C = 20 pF Note 6      |              |      | 10   | ns   |

**Note 1.** The value must also be  $2/f_{\text{CLK}}$  or more.

**Note 2.** When DAPmn = 0 and CKPmn = 0, or DAPmn = 1 and CKPmn = 1. The Slp setup time becomes “to  $\overline{\text{SCKp}}\downarrow$ ” when DAPmn = 0 and CKPmn = 1, or DAPmn = 1 and CKPmn = 0.

**Note 3.** When DAPmn = 0 and CKPmn = 0, or DAPmn = 1 and CKPmn = 1. The Slp hold time becomes “from  $\overline{\text{SCKp}}\downarrow$ ” when DAPmn = 0 and CKPmn = 1, or DAPmn = 1 and CKPmn = 0.

**Note 4.** When DAPmn = 0 and CKPmn = 0, or DAPmn = 1 and CKPmn = 1. The delay time to SOp output becomes “from  $\overline{\text{SCKp}}\uparrow$ ” when DAPmn = 0 and CKPmn = 1, or DAPmn = 1 and CKPmn = 0.

**Note 5.** Using the fmck within 24 MHz.

**Note 6.** C is the load capacitance of the  $\overline{\text{SCKp}}$  and SOp output lines.

**Caution** Select the normal input buffer for the Slp pin and the normal output mode for the SOp pin and  $\overline{\text{SCKp}}$  pin by using port input mode register g (PIMg) and port output mode register g (POMg).

**Remark 1.** This specification is valid only when CSI00's peripheral I/O redirect function is not used.

**Remark 2.** p: CSI number (p = 00), m: Unit number (m = 0), n: Channel number (n = 0),  
g: PIM and POM numbers (g = 1)

**Remark 3.** fmck: Serial array unit operation clock frequency  
(Operation clock to be set by the CKSmn bit of serial mode register mn (SMRmn). m: Unit number,  
n: Channel number (mn = 00))



**Caution** The pins mounted depend on the product. Refer to 1.3.1 30-pin products to 1.3.10 100-pin products.

**(3) During communication at same potential (CSI mode) (master mode (fmck/4),  $\overline{\text{SCKp}}$ ... internal clock output)**  
( $T_A = -40$  to  $+85$  °C,  $1.6\text{ V} \leq \text{EVDD0} = \text{EVDD1} \leq \text{VDD} \leq 5.5\text{ V}$ ,  $\text{VSS} = \text{EVSS0} = \text{EVSS1} = 0\text{ V}$ )

| Parameter  | Symbol        | Conditions   | MIN.          | TYP. | MAX. | Unit |
|--|---------------|--|---------------|------|------|------|
| $\overline{\text{SCKp}}$ cycle time  | tkCY1         | $2.7\text{ V} \leq \text{EVDD0} \leq 5.5\text{ V}$ | 125 Note 1    |      |      | ns   |
|  |               | $2.4\text{ V} \leq \text{EVDD0} \leq 5.5\text{ V}$ | 250 Note 1    |      |      | ns   |
|  |               | $1.8\text{ V} \leq \text{EVDD0} \leq 5.5\text{ V}$ | 500 Note 1    |      |      | ns   |
|  |               | $1.6\text{ V} \leq \text{EVDD0} \leq 5.5\text{ V}$ | 1000 Note 1   |      |      | ns   |
| $\overline{\text{SCKp}}$ high-/low-level width                             | tkH1,<br>tkL1 | $4.0\text{ V} \leq \text{EVDD0} \leq 5.5\text{ V}$ | tkCY1/2 - 12  |      |      | ns   |
|  |               | $2.7\text{ V} \leq \text{EVDD0} \leq 5.5\text{ V}$ | tkCY1/2 - 18  |      |      | ns   |
|  |               | $2.4\text{ V} \leq \text{EVDD0} \leq 5.5\text{ V}$ | tkCY1/2 - 38  |      |      | ns   |
|  |               | $1.8\text{ V} \leq \text{EVDD0} \leq 5.5\text{ V}$ | tkCY1/2 - 50  |      |      | ns   |
|  |               | $1.6\text{ V} \leq \text{EVDD0} \leq 5.5\text{ V}$ | tkCY1/2 - 100 |      |      | ns   |
| Slp setup time (to $\overline{\text{SCKp}}\uparrow$ ) Note 2               | tsIK1         | $4.0\text{ V} \leq \text{EVDD0} \leq 5.5\text{ V}$ | 44            |      |      | ns   |
|  |               | $2.7\text{ V} \leq \text{EVDD0} \leq 5.5\text{ V}$ | 44            |      |      | ns   |
|  |               | $2.4\text{ V} \leq \text{EVDD0} \leq 5.5\text{ V}$ | 75            |      |      | ns   |
|  |               | $1.8\text{ V} \leq \text{EVDD0} \leq 5.5\text{ V}$ | 110           |      |      | ns   |
|  |               | $1.6\text{ V} \leq \text{EVDD0} \leq 5.5\text{ V}$ | 220           |      |      | ns   |
| Slp hold time (from $\overline{\text{SCKp}}\uparrow$ ) Note 3              | tkSI1         |  | 19            |      |      | ns   |
| Delay time from $\overline{\text{SCKp}}\downarrow$ to SOp output<br>Note 4 | tkSO1         | C = 30 pF Note 5                                   |               |      | 25   | ns   |

**Note 1.** The value must also be  $4/f_{\text{CLK}}$  or more.

**Note 2.** When DAPmn = 0 and CKPmn = 0, or DAPmn = 1 and CKPmn = 1. The Slp setup time becomes “to  $\overline{\text{SCKp}}\downarrow$ ” when DAPmn = 0 and CKPmn = 1, or DAPmn = 1 and CKPmn = 0.

**Note 3.** When DAPmn = 0 and CKPmn = 0, or DAPmn = 1 and CKPmn = 1. The Slp hold time becomes “from  $\overline{\text{SCKp}}\downarrow$ ” when DAPmn = 0 and CKPmn = 1, or DAPmn = 1 and CKPmn = 0.

**Note 4.** When DAPmn = 0 and CKPmn = 0, or DAPmn = 1 and CKPmn = 1. The delay time to SOp output becomes “from  $\overline{\text{SCKp}}\uparrow$ ” when DAPmn = 0 and CKPmn = 1, or DAPmn = 1 and CKPmn = 0.

**Note 5.** C is the load capacitance of the  $\overline{\text{SCKp}}$  and SOp output lines.

**Caution** Select the normal input buffer for the Slp pin and the normal output mode for the SOp pin and  $\overline{\text{SCKp}}$  pin by using port input mode register g (PIMg) and port output mode register g (POMg).

**Remark 1.** p: CSI number (p = 00, 01, 10, 11, 20, 21, 30, 31), m: Unit number (m = 0, 1), n: Channel number (n = 0 to 3), g: PIM number (g = 0, 1, 3 to 5, 14)

**Remark 2.** fmck: Serial array unit operation clock frequency  
(Operation clock to be set by the CKSmn bit of serial mode register mn (SMRmn). m: Unit number, n: Channel number (mn = 00 to 03, 10 to 13))

**Caution** The pins mounted depend on the product. Refer to 1.3.1 30-pin products to 1.3.10 100-pin products.

**(4) During communication at same potential (CSI mode) (slave mode,  $\overline{\text{SCKp}}$ ... external clock input)**

**( $T_A = -40$  to  $+85$  °C,  $1.6\text{ V} \leq \text{EVDD0} = \text{EVDD1} \leq \text{VDD} \leq 5.5\text{ V}$ ,  $\text{VSS} = \text{EVSS0} = \text{EVSS1} = 0\text{ V}$ )**

**(1/2)**

| Parameter  | Symbol        | Conditions   | MIN.   | TYP.            | MAX.                  | Unit |
|--|---------------|--|--|-----------------|-----------------------|------|
| $\overline{\text{SCKp}}$ cycle time Note 5                                 | tkCY2         | $4.0\text{ V} \leq \text{EVDD0} \leq 5.5\text{ V}$ | $20\text{ MHz} < \text{fMCK}$                      | $8/\text{fMCK}$ |                       | ns   |
|  |               |  | $\text{fMCK} \leq 20\text{ MHz}$                   | $6/\text{fMCK}$ |                       | ns   |
|  |               | $2.7\text{ V} \leq \text{EVDD0} < 4.0\text{ V}$    | $16\text{ MHz} < \text{fMCK}$                      | $8/\text{fMCK}$ |                       | ns   |
|  |               |  | $\text{fMCK} \leq 16\text{ MHz}$                   | $6/\text{fMCK}$ |                       | ns   |
|  |               | $1.8\text{ V} \leq \text{EVDD0} < 2.7\text{ V}$    | $16\text{ MHz} < \text{fMCK}$                      | $8/\text{fMCK}$ |                       | ns   |
|  |               |  | $\text{fMCK} \leq 16\text{ MHz}$                   | $6/\text{fMCK}$ |                       | ns   |
| $1.6\text{ V} \leq \text{EVDD0} < 1.8\text{ V}$                            |               | $6/\text{fMCK}$                                    |  | ns              |                       |      |
| $\overline{\text{SCKp}}$ high-/low-level width                             | tkH2,<br>tkL2 | $1.6\text{ V} \leq \text{EVDD0} \leq 5.5\text{ V}$ | tkCY2/2  |                 |                       | ns   |
| Slp setup time<br>(to $\overline{\text{SCKp}}\uparrow$ ) Note 1            | tsIK2         | $2.7\text{ V} \leq \text{EVDD0} \leq 5.5\text{ V}$ | $1/\text{fMCK} + 20$                               |                 |                       | ns   |
|  |               | $1.8\text{ V} \leq \text{EVDD0} < 2.7\text{ V}$    | $1/\text{fMCK} + 30$                               |                 |                       | ns   |
|  |               | $1.6\text{ V} \leq \text{EVDD0} < 1.8\text{ V}$    | $1/\text{fMCK} + 40$                               |                 |                       | ns   |
| Slp hold time<br>(from $\overline{\text{SCKp}}\uparrow$ ) Note 2           | tkSI2         | $2.7\text{ V} \leq \text{EVDD0} \leq 5.5\text{ V}$ | $1/\text{fMCK} + 31$                               |                 |                       | ns   |
|  |               | $2.4\text{ V} \leq \text{EVDD0} < 2.7\text{ V}$    | $1/\text{fMCK} + 31$                               |                 |                       | ns   |
|  |               | $1.8\text{ V} \leq \text{EVDD0} < 2.4\text{ V}$    | $1/\text{fMCK} + 31$                               |                 |                       | ns   |
|  |               | $1.6\text{ V} \leq \text{EVDD0} < 1.8\text{ V}$    | $1/\text{fMCK} + 250$                              |                 |                       | ns   |
| Delay time from $\overline{\text{SCKp}}\downarrow$ to<br>SOp output Note 3 | tkSO2         | C = 30 pF Note 4                                   | $4.0\text{ V} \leq \text{EVDD0} \leq 5.5\text{ V}$ |                 | $2/\text{fMCK} + 44$  | ns   |
|  |               |  | $2.7\text{ V} \leq \text{EVDD0} < 4.0\text{ V}$    |                 | $2/\text{fMCK} + 44$  | ns   |
|  |               |  | $2.4\text{ V} \leq \text{EVDD0} < 2.7\text{ V}$    |                 | $2/\text{fMCK} + 75$  | ns   |
|  |               |  | $1.8\text{ V} \leq \text{EVDD0} < 2.4\text{ V}$    |                 | $2/\text{fMCK} + 110$ | ns   |
|  |               |  | $1.6\text{ V} \leq \text{EVDD0} < 1.8\text{ V}$    |                 | $2/\text{fMCK} + 220$ | ns   |

**Note 1.** When DAPmn = 0 and CKPmn = 0, or DAPmn = 1 and CKPmn = 1. The Slp setup time becomes “to  $\overline{\text{SCKp}}\downarrow$ ” when DAPmn = 0 and CKPmn = 1, or DAPmn = 1 and CKPmn = 0.

**Note 2.** When DAPmn = 0 and CKPmn = 0, or DAPmn = 1 and CKPmn = 1. The Slp hold time becomes “from  $\overline{\text{SCKp}}\downarrow$ ” when DAPmn = 0 and CKPmn = 1, or DAPmn = 1 and CKPmn = 0.

**Note 3.** When DAPmn = 0 and CKPmn = 0, or DAPmn = 1 and CKPmn = 1. The delay time to SOp output becomes “from  $\overline{\text{SCKp}}\uparrow$ ” when DAPmn = 0 and CKPmn = 1, or DAPmn = 1 and CKPmn = 0.

**Note 4.** C is the load capacitance of the SOp output lines.

**Note 5.** The maximum transfer rate when using the SNOOZE mode is 1 Mbps.

**Caution** Select the TTL input buffer for the Slp pin and  $\overline{\text{SCKp}}$  pin and the normal output mode for the SOp pin by using port input mode register g (PIMg) and port output mode register g (POMg).

**Remark 1.** p: CSI number (p = 00, 01, 10, 11, 20, 21, 30, 31), m: Unit number (m = 0, 1),  
n: Channel number (n = 0 to 3), g: PIM number (g = 0, 1, 3 to 5, 14)

**Remark 2.** fMCK: Serial array unit operation clock frequency  
(Operation clock to be set by the CKSmn bit of serial mode register mn (SMRmn). m: Unit number,  
n: Channel number (mn = 00 to 03, 10 to 13))

**Caution** The pins mounted depend on the product. Refer to 1.3.1 30-pin products to 1.3.10 100-pin products.

**(4) During communication at same potential (CSI mode) (slave mode,  $\overline{\text{SCKp}}$ ... external clock input)**

**( $T_A = -40$  to  $+85$  °C,  $1.6\text{ V} \leq \text{EVDD0} = \text{EVDD1} \leq \text{VDD} \leq 5.5\text{ V}$ ,  $\text{VSS} = \text{EVSS0} = \text{EVSS1} = 0\text{ V}$ )**

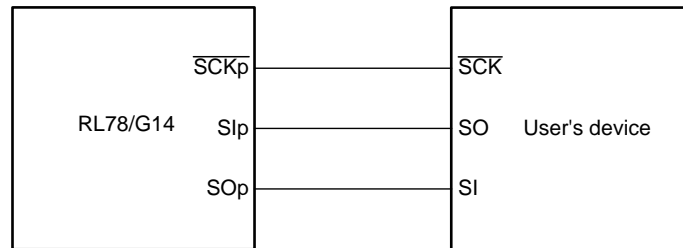
**(2/2)**

| Parameter                            | Symbol | Conditions | MIN.   | TYP.                  | MAX. | Unit |
|--------------------------------------|--------|------------|--|-----------------------|------|------|
| $\overline{\text{SSI00}}$ setup time | tssik  | DAPmn = 0  | $2.7\text{ V} \leq \text{EVDD0} \leq 5.5\text{ V}$ | 120                   |      | ns   |
|                                      |        |            | $1.8\text{ V} \leq \text{EVDD0} < 2.7\text{ V}$    | 200                   |      | ns   |
|                                      |        |            | $1.6\text{ V} \leq \text{EVDD0} < 1.8\text{ V}$    | 400                   |      | ns   |
|                                      |        | DAPmn = 1  | $2.7\text{ V} \leq \text{EVDD0} \leq 5.5\text{ V}$ | $1/\text{fmck} + 120$ |      | ns   |
|                                      |        |            | $1.8\text{ V} \leq \text{EVDD0} < 2.7\text{ V}$    | $1/\text{fmck} + 200$ |      | ns   |
|                                      |        |            | $1.6\text{ V} \leq \text{EVDD0} < 1.8\text{ V}$    | $1/\text{fmck} + 400$ |      | ns   |
| $\overline{\text{SSI00}}$ hold time  | tkssi  | DAPmn = 0  | $2.7\text{ V} \leq \text{EVDD0} \leq 5.5\text{ V}$ | $1/\text{fmck} + 120$ |      | ns   |
|                                      |        |            | $1.8\text{ V} \leq \text{EVDD0} < 2.7\text{ V}$    | $1/\text{fmck} + 200$ |      | ns   |
|                                      |        |            | $1.6\text{ V} \leq \text{EVDD0} < 1.8\text{ V}$    | $1/\text{fmck} + 400$ |      | ns   |
|                                      |        | DAPmn = 1  | $2.7\text{ V} \leq \text{EVDD0} \leq 5.5\text{ V}$ | 120                   |      | ns   |
|                                      |        |            | $1.8\text{ V} \leq \text{EVDD0} < 2.7\text{ V}$    | 200                   |      | ns   |
|                                      |        |            | $1.6\text{ V} \leq \text{EVDD0} < 1.8\text{ V}$    | 400                   |      | ns   |

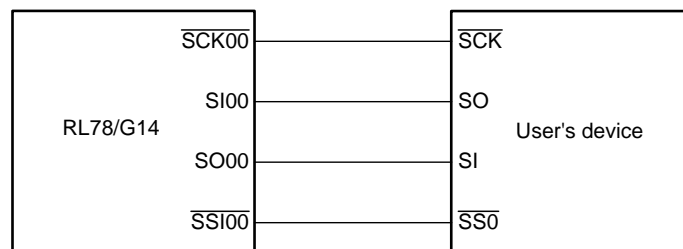
**Caution** Select the normal input buffer for the Slp pin and the normal output mode for the SOp pin and SCKp pin by using port input mode register g (PIMg) and port output mode register g (POMg).

**Remark** p: CSI number (p = 00), m: Unit number (m = 0), n: Channel number (n = 0), g: PIM number (g = 3, 5)

**CSI mode connection diagram (during communication at same potential)**



**CSI mode connection diagram (during communication at same potential)  
(Slave Transmission of slave select input function (CSI00))**

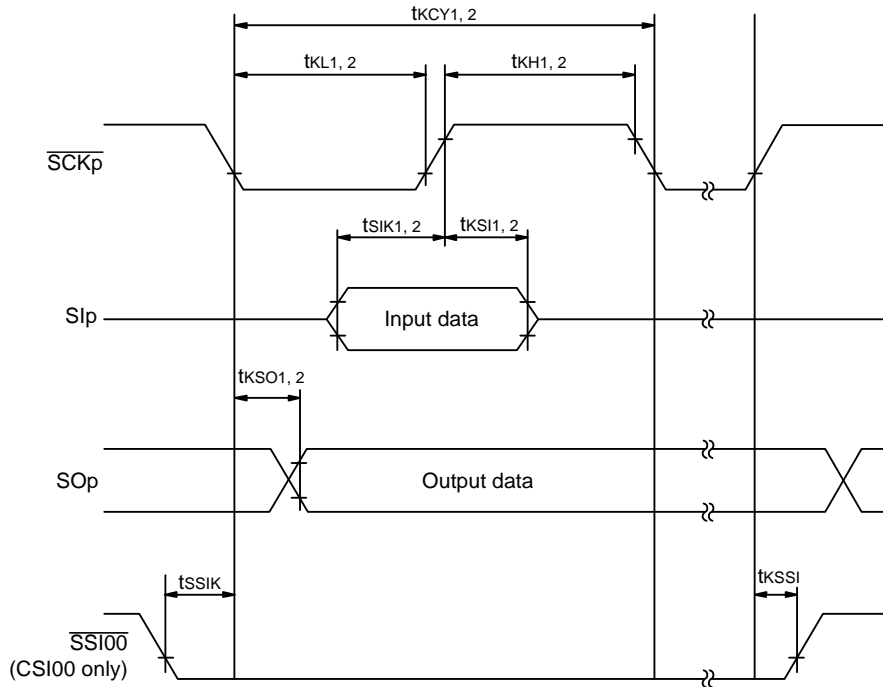


**Remark 1.** p: CSI number (p = 00, 01, 10, 11, 20, 21, 30, 31)

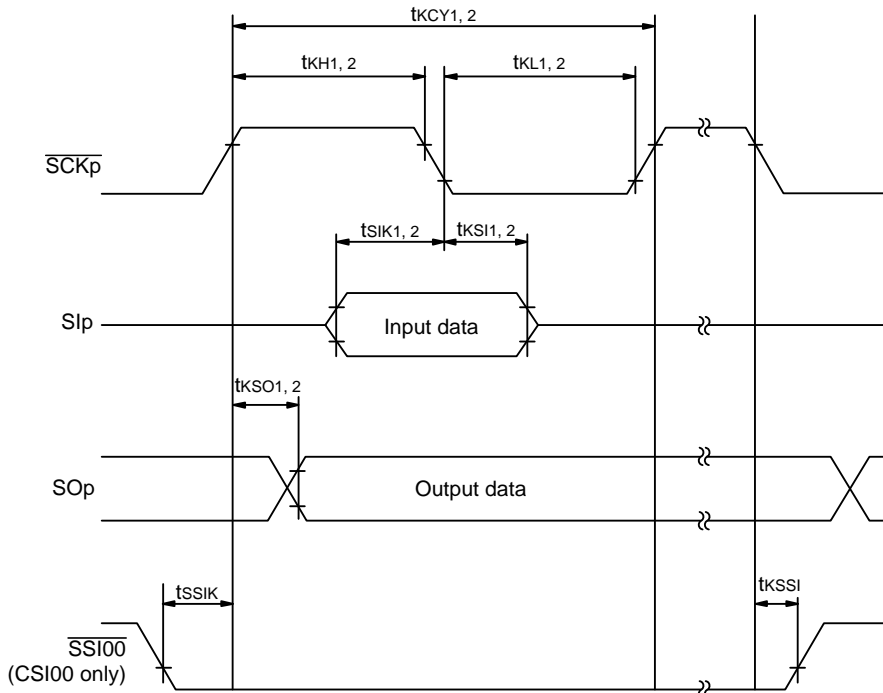
**Remark 2.** m: Unit number, n: Channel number (mn = 00 to 03, 10 to 13)

**Caution** The pins mounted depend on the product. Refer to 1.3.1 30-pin products to 1.3.10 100-pin products.

**CSI mode serial transfer timing (during communication at same potential)  
(When DAPmn = 0 and CKPmn = 0, or DAPmn = 1 and CKPmn = 1.)**



**CSI mode serial transfer timing (during communication at same potential)  
(When DAPmn = 0 and CKPmn = 1, or DAPmn = 1 and CKPmn = 0.)**



**Remark 1.** p: CSI number (p = 00, 01, 10, 11, 20, 21, 30, 31)

**Remark 2.** m: Unit number, n: Channel number (mn = 00 to 03, 10 to 13)

**Caution** The pins mounted depend on the product. Refer to 1.3.1 30-pin products to 1.3.10 100-pin products.

**(5) During communication at same potential (simplified I<sup>2</sup>C mode)**

**(TA = -40 to +85 °C, 1.6 V ≤ EVDD0 = EVDD1 ≤ VDD ≤ 5.5 V, VSS = EVSS0 = EVSS1 = 0 V)**

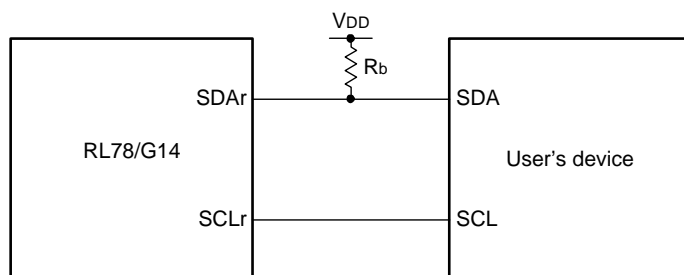
| Parameter                     | Symbol              | Conditions  | MIN.                             | MAX. | Unit |
|-------------------------------|---------------------|---|----------------------------------|------|------|
| SCLr clock frequency          | f <sub>SCL</sub>    | 2.7 V ≤ EVDD0 ≤ 5.5 V,<br>Cb = 50 pF, Rb = 2.7 kΩ |                                  | 1000 | kHz  |
|                               |                     | 1.8 V ≤ EVDD0 ≤ 5.5 V,<br>Cb = 100 pF, Rb = 3 kΩ  |                                  | 400  | kHz  |
|                               |                     | 1.8 V ≤ EVDD0 < 2.7 V,<br>Cb = 100 pF, Rb = 5 kΩ  |                                  | 300  | kHz  |
|                               |                     | 1.6 V ≤ EVDD0 < 1.8 V,<br>Cb = 100 pF, Rb = 5 kΩ  |                                  | 250  | kHz  |
| Hold time when SCLr = "L"     | t <sub>LOW</sub>    | 2.7 V ≤ EVDD0 ≤ 5.5 V,<br>Cb = 50 pF, Rb = 2.7 kΩ | 475                              |      | ns   |
|                               |                     | 1.8 V ≤ VDD0 ≤ 5.5 V,<br>Cb = 100 pF, Rb = 3 kΩ   | 1150                             |      | ns   |
|                               |                     | 1.8 V ≤ EVDD0 < 2.7 V,<br>Cb = 100 pF, Rb = 5 kΩ  | 1550                             |      | ns   |
|                               |                     | 1.6 V ≤ EVDD0 < 1.8 V,<br>Cb = 100 pF, Rb = 5 kΩ  | 1850                             |      | ns   |
| Hold time when SCLr = "H"     | t <sub>HIGH</sub>   | 2.7 V ≤ EVDD0 ≤ 5.5 V,<br>Cb = 50 pF, Rb = 2.7 kΩ | 475                              |      | ns   |
|                               |                     | 1.8 V ≤ EVDD0 ≤ 5.5 V,<br>Cb = 100 pF, Rb = 3 kΩ  | 1150                             |      | ns   |
|                               |                     | 1.8 V ≤ EVDD0 < 2.7 V,<br>Cb = 100 pF, Rb = 5 kΩ  | 1550                             |      | ns   |
|                               |                     | 1.6 V ≤ EVDD0 < 1.8 V,<br>Cb = 100 pF, Rb = 5 kΩ  | 1850                             |      | ns   |
| Data setup time (reception)   | t <sub>SU:DAT</sub> | 2.7 V ≤ EVDD0 ≤ 5.5 V,<br>Cb = 50 pF, Rb = 2.7 kΩ | 1/f <sub>MCK</sub> + 85<br>Note  |      | ns   |
|                               |                     | 1.8 V ≤ EVDD0 ≤ 5.5 V,<br>Cb = 100 pF, Rb = 3 kΩ  | 1/f <sub>MCK</sub> + 145<br>Note |      | ns   |
|                               |                     | 1.8 V ≤ EVDD0 < 2.7 V,<br>Cb = 100 pF, Rb = 5 kΩ  | 1/f <sub>MCK</sub> + 230<br>Note |      | ns   |
|                               |                     | 1.6 V ≤ EVDD0 < 1.8 V,<br>Cb = 100 pF, Rb = 5 kΩ  | 1/f <sub>MCK</sub> + 290<br>Note |      | ns   |
| Data hold time (transmission) | t <sub>HD:DAT</sub> | 2.7 V ≤ EVDD0 ≤ 5.5 V,<br>Cb = 50 pF, Rb = 2.7 kΩ | 0                                | 305  | ns   |
|                               |                     | 1.8 V ≤ EVDD0 ≤ 5.5 V,<br>Cb = 100 pF, Rb = 3 kΩ  | 0                                | 355  | ns   |
|                               |                     | 1.8 V ≤ EVDD0 < 2.7 V,<br>Cb = 100 pF, Rb = 5 kΩ  | 0                                | 405  | ns   |
|                               |                     | 1.6 V ≤ EVDD0 < 1.8 V,<br>Cb = 100 pF, Rb = 5 kΩ  | 0                                | 405  | ns   |

**Note** Set the f<sub>MCK</sub> value to keep the hold time of SCLr = "L" and SCLr = "H".

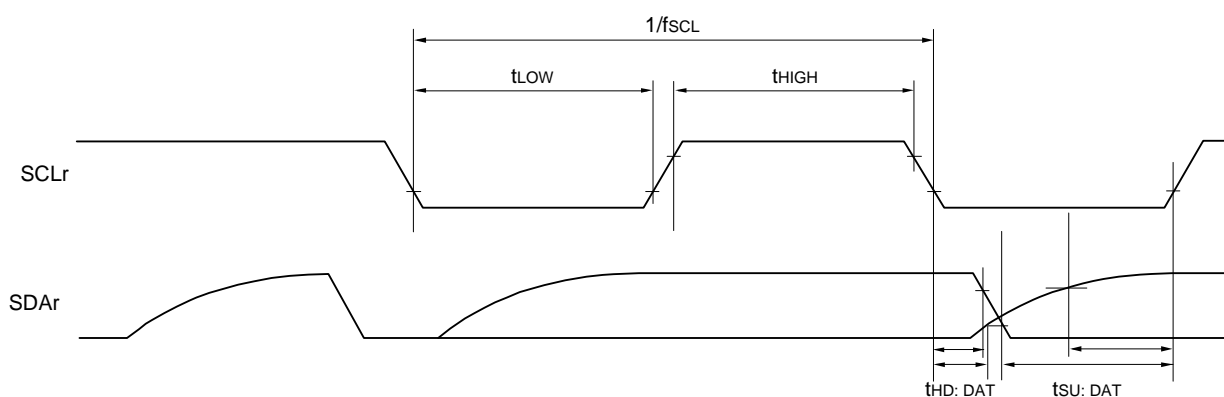
(**Caution** and **Remarks** are listed on the next page.)

**Caution** The pins mounted depend on the product. Refer to 1.3.1 30-pin products to 1.3.10 100-pin products.

**Simplified I<sup>2</sup>C mode connection diagram (during communication at same potential)**



**Simplified I<sup>2</sup>C mode serial transfer timing (during communication at same potential)**



**Caution** Select the TTL input buffer and the N-ch open drain output (EV<sub>DD0</sub> tolerance) mode for the SDAr pin and the N-ch open drain output (EV<sub>DD0</sub> tolerance) mode for the SCLr pin by using port input mode register g (PIMg) and port output mode register h (POMh).

**Remark 1.** R<sub>b</sub>[Ω]: Communication line (SDAr) pull-up resistance, C<sub>b</sub>[F]: Communication line (SDAr, SCLr) load capacitance

**Remark 2.** r: IIC number (r = 00, 01, 10, 11, 20, 21, 30, 31), g: PIM number (g = 0, 1, 3 to 5, 14),  
h: POM number (h = 0, 1, 3 to 5, 7, 14)

**Remark 3.** f<sub>MCK</sub>: Serial array unit operation clock frequency  
(Operation clock to be set by the CKSmn bit of serial mode register mn (SMRmn). m: Unit number (m = 0, 1),  
n: Channel number (n = 0, 2), mn = 00 to 03, 10 to 13)

**Caution** The pins mounted depend on the product. Refer to 1.3.1 30-pin products to 1.3.10 100-pin products.

**(6) Communication at different potential (2.5 V, 3 V) (UART mode) (dedicated baud rate generator output)**

**( $T_A = -40$  to  $+85$  °C,  $1.8\text{ V} \leq EV_{DD0} = EV_{DD1} \leq V_{DD} \leq 5.5\text{ V}$ ,  $V_{SS} = EV_{SS0} = EV_{SS1} = 0\text{ V}$ )**

**(1/2)**

| Parameter                   | Symbol | Conditions |  | MIN. | TYP. | MAX.                                    | Unit |
|-----------------------------|--------|------------|--|------|------|---|------|
| Transfer rate<br>Notes 1, 2 |        | reception  | 4.0 V $\leq$ EV <sub>DD0</sub> $\leq$ 5.5 V,<br>2.7 V $\leq$ V <sub>b</sub> $\leq$ 4.0 V |      |      | f <sub>MCK</sub> /6 Note 1              | bps  |
|                             |        |            |  |      |      | 5.3                                     | Mbps |
|                             |        |            | 2.7 V $\leq$ EV <sub>DD0</sub> < 4.0 V,<br>2.3 V $\leq$ V <sub>b</sub> $\leq$ 2.7 V      |      |      | f <sub>MCK</sub> /6 Note 1              | bps  |
|                             |        |            |  |      |      | 5.3                                     | Mbps |
|                             |        |            | 1.8 V $\leq$ EV <sub>DD0</sub> < 3.3 V,<br>1.6 V $\leq$ V <sub>b</sub> $\leq$ 2.0 V      |      |      | f <sub>MCK</sub> /6<br>Note 1 to Note 3 | bps  |
|                             |        |            |  |      |      | 1.3                                     | Mbps |

**Note 1.** Transfer rate in the SNOOZE mode : MAX. 9600 bps, MIN. 4800 bps

**Note 2.** Use it with  $EV_{DD0} \geq V_b$ .

**Note 3.** The following conditions are required for low voltage interface when  $EV_{DD0} < V_{DD}$ .

2.4 V  $\leq$  EV<sub>DD0</sub> < 2.7 V : MAX. 2.6 Mbps

1.8 V  $\leq$  EV<sub>DD0</sub> < 2.4 V : MAX. 1.3 Mbps

1.6 V  $\leq$  EV<sub>DD0</sub> < 1.8 V : MAX. 0.6 Mbps

**Caution** Select the TTL input buffer for the RxDq pin and the N-ch open drain output ( $EV_{DD0}$  tolerance) mode for the TxDq pin by using port input mode register g (PIMg) and port output mode register g (POMg).

**Remark 1.** V<sub>b</sub>[V]: Communication line voltage

**Remark 2.** q: UART number (q = 0 to 3), g: PIM and POM number (g = 0, 1, 5, 14)

**Remark 3.** f<sub>MCK</sub>: Serial array unit operation clock frequency

(Operation clock to be set by the CKSmn bit of serial mode register mn (SMRmn). m: Unit number,

n: Channel number (mn = 00 to 03, 10 to 13)

**Remark 4.** V<sub>IH</sub> and V<sub>IL</sub> below are observation points for the AC characteristics of the serial array unit when communicating at different potentials in UART mode.

4.0 V  $\leq$  EV<sub>DD0</sub>  $\leq$  5.5 V, 2.7 V  $\leq$  V<sub>b</sub>  $\leq$  4.0 V: V<sub>IH</sub> = 2.2 V, V<sub>IL</sub> = 0.8 V

2.7 V  $\leq$  EV<sub>DD0</sub> < 4.0 V, 2.3 V  $\leq$  V<sub>b</sub>  $\leq$  2.7 V: V<sub>IH</sub> = 2.0 V, V<sub>IL</sub> = 0.5 V

1.8 V  $\leq$  EV<sub>DD0</sub> < 3.3 V, 1.6 V  $\leq$  V<sub>b</sub>  $\leq$  2.0 V: V<sub>IH</sub> = 1.50 V, V<sub>IL</sub> = 0.32 V

**Remark 5.** UART2 cannot communicate at different potential when bit 1 (PIOR01) of peripheral I/O redirection register 0 (PIOR0) is 1.

**Caution** The pins mounted depend on the product. Refer to 1.3.1 30-pin products to 1.3.10 100-pin products.

**(6) Communication at different potential (2.5 V, 3 V) (UART mode) (dedicated baud rate generator output)**

(TA = -40 to +85 °C, 1.8 V ≤ EVDD0 = EVDD1 ≤ VDD ≤ 5.5 V, VSS = EVSS0 = EVSS1 = 0 V)

(2/2)

| Parameter     | Symbol | Conditions   |  | MIN.  | TYP. | MAX.           | Unit |
|---------------|--------|--------------|--|---|------|----------------|------|
| Transfer rate |        | transmission | 4.0 V ≤ EVDD0 ≤ 5.5 V,<br>2.7 V ≤ Vb ≤ 4.0 V |   |      | Notes 1, 2     | bps  |
|               |        |              |  | Theoretical value of the maximum transfer rate<br>Cb = 50 pF, Rb = 1.4 kΩ, Vb = 2.7 V |      | 2.8<br>Note 3  | Mbps |
|               |        |              | 2.7 V ≤ EVDD0 < 4.0 V,<br>2.3 V ≤ Vb ≤ 2.7 V |   |      | Notes 2, 4     | bps  |
|               |        |              |  | Theoretical value of the maximum transfer rate<br>Cb = 50 pF, Rb = 2.7 kΩ, Vb = 2.3 V |      | 1.2<br>Note 5  | Mbps |
|               |        |              | 1.8 V ≤ EVDD0 < 3.3 V,<br>1.6 V ≤ Vb ≤ 2.0 V |   |      | Notes 2, 6, 7  | bps  |
|               |        |              |  | Theoretical value of the maximum transfer rate<br>Cb = 50 pF, Rb = 5.5 kΩ, Vb = 1.6 V |      | 0.40<br>Note 8 | Mbps |

**Note 1.** The smaller maximum transfer rate derived by using  $f_{mck}/6$  or the following expression is the valid maximum transfer rate.

Expression for calculating the transfer rate when 4.0 V ≤ EVDD0 ≤ 5.5 V and 2.7 V ≤ Vb ≤ 4.0 V

$$\text{Maximum transfer rate} = \frac{1}{\{-C_b \times R_b \times \ln(1 - \frac{2.2}{V_b})\} \times 3} \text{ [bps]}$$

$$\text{Baud rate error (theoretical value)} = \frac{\frac{1}{\text{Transfer rate} \times 2} - \{-C_b \times R_b \times \ln(1 - \frac{2.2}{V_b})\}}{\left(\frac{1}{\text{Transfer rate}}\right) \times \text{Number of transferred bits}} \times 100 \text{ [%]}$$

\* This value is the theoretical value of the relative difference between the transmission and reception sides.

**Note 2.** Transfer rate in the SNOOZE mode: MAX. 9600 bps, MIN. 4800 bps

**Note 3.** This value as an example is calculated when the conditions described in the "Conditions" column are met. Refer to Note 1 above to calculate the maximum transfer rate under conditions of the customer.

**Note 4.** The smaller maximum transfer rate derived by using  $f_{mck}/6$  or the following expression is the valid maximum transfer rate.

Expression for calculating the transfer rate when 2.7 V ≤ EVDD0 < 4.0 V and 2.3 V ≤ Vb ≤ 2.7 V

$$\text{Maximum transfer rate} = \frac{1}{\{-C_b \times R_b \times \ln(1 - \frac{2.0}{V_b})\} \times 3} \text{ [bps]}$$

$$\text{Baud rate error (theoretical value)} = \frac{\frac{1}{\text{Transfer rate} \times 2} - \{-C_b \times R_b \times \ln(1 - \frac{2.0}{V_b})\}}{\left(\frac{1}{\text{Transfer rate}}\right) \times \text{Number of transferred bits}} \times 100 \text{ [%]}$$

\* This value is the theoretical value of the relative difference between the transmission and reception sides.

**Note 5.** This value as an example is calculated when the conditions described in the "Conditions" column are met. Refer to Note 4 above to calculate the maximum transfer rate under conditions of the customer.

**Note 6.** Use it with EVDD0 ≥ Vb.



**Note 7.** The smaller maximum transfer rate derived by using  $f_{mck}/6$  or the following expression is the valid maximum transfer rate.

Expression for calculating the transfer rate when  $1.8\text{ V} \leq E_{VDD0} < 3.3\text{ V}$  and  $1.6\text{ V} \leq V_b \leq 2.0\text{ V}$

$$\text{Maximum transfer rate} = \frac{1}{\{-C_b \times R_b \times \ln(1 - \frac{1.5}{V_b})\} \times 3} \text{ [bps]}$$

$$\text{Baud rate error (theoretical value)} = \frac{\frac{1}{\text{Transfer rate} \times 2} - \{-C_b \times R_b \times \ln(1 - \frac{1.5}{V_b})\}}{(\frac{1}{\text{Transfer rate}}) \times \text{Number of transferred bits}} \times 100 \text{ [%]}$$

\* This value is the theoretical value of the relative difference between the transmission and reception sides.

**Note 8.** This value as an example is calculated when the conditions described in the "Conditions" column are met. Refer to Note 7 above to calculate the maximum transfer rate under conditions of the customer.

**Caution** Select the TTL input buffer for the RxDq pin and the N-ch open drain output (EVDD0 tolerance) mode for the TxDq pin by using port input mode register g (PIMg) and port output mode register g (POMg).

**Remark 1.**  $R_b[\Omega]$ : Communication line (TxDq) pull-up resistance,  
 $C_b[F]$ : Communication line (TxDq) load capacitance,  $V_b[V]$ : Communication line voltage

**Remark 2.** q: UART number (q = 0 to 3), g: PIM and POM number (g = 0, 1, 5, 14)

**Remark 3.**  $f_{mck}$ : Serial array unit operation clock frequency  
 (Operation clock to be set by the CKSmn bit of serial mode register mn (SMRmn).  
 m: Unit number, n: Channel number (mn = 00 to 03, 10 to 13))

**Remark 4.**  $V_{IH}$  and  $V_{IL}$  below are observation points for the AC characteristics of the serial array unit when communicating at different potentials in UART mode.

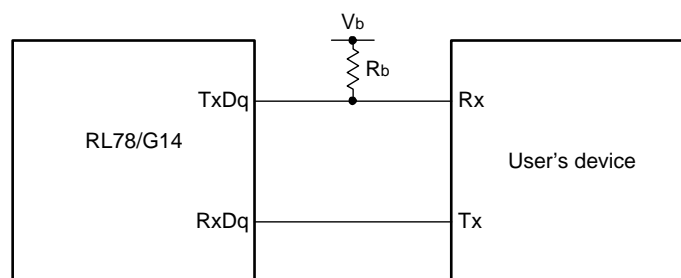
$4.0\text{ V} \leq E_{VDD0} \leq 5.5\text{ V}$ ,  $2.7\text{ V} \leq V_b \leq 4.0\text{ V}$ :  $V_{IH} = 2.2\text{ V}$ ,  $V_{IL} = 0.8\text{ V}$

$2.7\text{ V} \leq E_{VDD0} < 4.0\text{ V}$ ,  $2.3\text{ V} \leq V_b \leq 2.7\text{ V}$ :  $V_{IH} = 2.0\text{ V}$ ,  $V_{IL} = 0.5\text{ V}$

$1.8\text{ V} \leq E_{VDD0} < 3.3\text{ V}$ ,  $1.6\text{ V} \leq V_b \leq 2.0\text{ V}$ :  $V_{IH} = 1.50\text{ V}$ ,  $V_{IL} = 0.32\text{ V}$

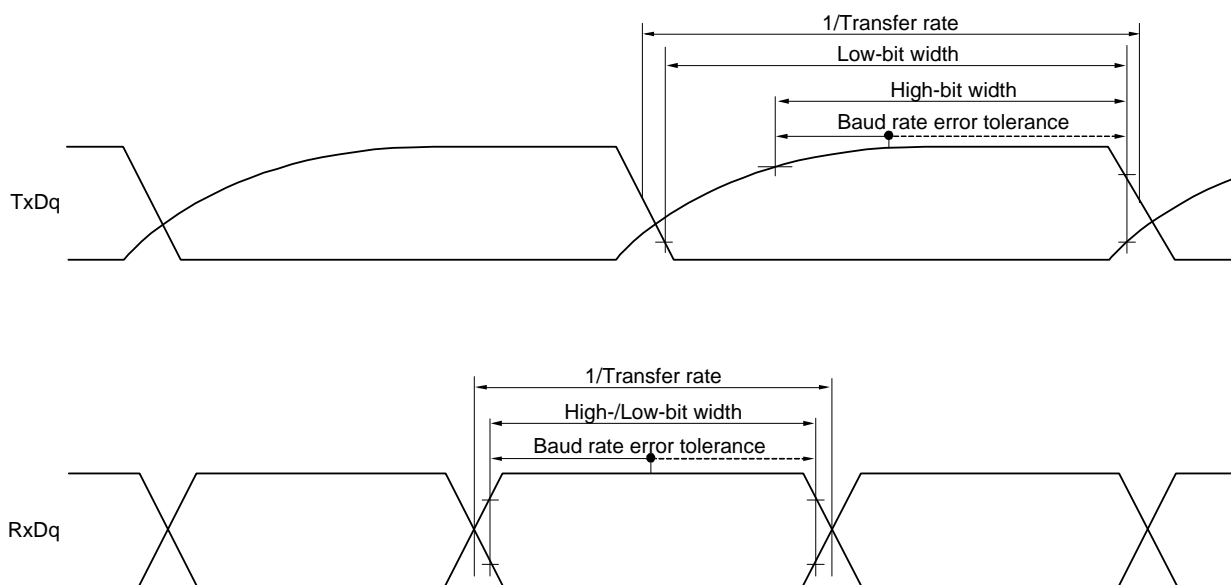
**Remark 5.** UART2 cannot communicate at different potential when bit 1 (PIOR01) of peripheral I/O redirection register 0 (PIOR0) is 1.

#### UART mode connection diagram (during communication at different potential)



**Caution** The pins mounted depend on the product. Refer to 1.3.1 30-pin products to 1.3.10 100-pin products.

**UART mode bit width (during communication at different potential) (reference)**



**Caution** Select the TTL input buffer for the RxDq pin and the N-ch open drain output (EVDD0 tolerance) mode for the TxDq pin by using port input mode register g (PIMg) and port output mode register g (POMg).

**Remark 1.**  $R_b[\Omega]$ : Communication line (TxDq) pull-up resistance,  $V_b[V]$ : Communication line voltage

**Remark 2.** q: UART number (q = 0 to 3), g: PIM and POM number (g = 0, 1, 5, 14)

**Caution** The pins mounted depend on the product. Refer to 1.3.1 30-pin products to 1.3.10 100-pin products.

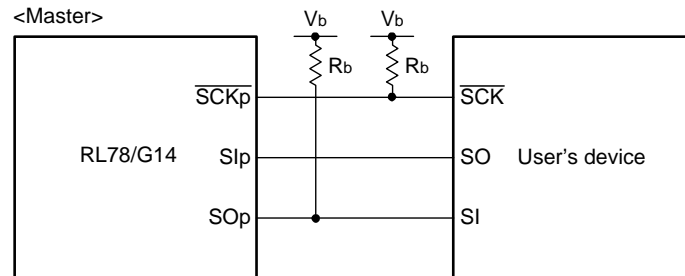
**(7) Communication at different potential (2.5 V, 3 V) (fmck/2) (CSI mode) (master mode,  $\overline{\text{SCKp}}$ ... internal clock output)  
( $T_A = -40$  to  $+85$  °C,  $2.7\text{ V} \leq \text{EVDD0} = \text{EVDD1} \leq \text{VDD} \leq 5.5\text{ V}$ ,  $\text{VSS} = \text{EVSS0} = \text{EVSS1} = 0\text{ V}$ )**

| Parameter  | Symbol | Conditions  | MIN.          | TYP. | MAX. | Unit |
|--|--------|---|---------------|------|------|------|
| $\overline{\text{SCKp}}$ cycle time  | tkCY1  | $4.0\text{ V} \leq \text{EVDD0} \leq 5.5\text{ V}$ , $2.7\text{ V} \leq \text{Vb} \leq 4.0\text{ V}$ ,<br>$C_b = 20\text{ pF}$ , $R_b = 1.4\text{ k}\Omega$ | 200 Note 1    |      |      | ns   |
|  |        | $2.7\text{ V} \leq \text{EVDD0} < 4.0\text{ V}$ , $2.3\text{ V} \leq \text{Vb} \leq 2.7\text{ V}$ ,<br>$C_b = 20\text{ pF}$ , $R_b = 2.7\text{ k}\Omega$    | 300 Note 1    |      |      | ns   |
| $\overline{\text{SCKp}}$ high-level width                                  | tkH1   | $4.0\text{ V} \leq \text{EVDD0} \leq 5.5\text{ V}$ , $2.7\text{ V} \leq \text{Vb} \leq 4.0\text{ V}$ ,<br>$C_b = 20\text{ pF}$ , $R_b = 1.4\text{ k}\Omega$ | tkCY1/2 - 50  |      |      | ns   |
|  |        | $2.7\text{ V} \leq \text{EVDD0} < 4.0\text{ V}$ , $2.3\text{ V} \leq \text{Vb} \leq 2.7\text{ V}$ ,<br>$C_b = 20\text{ pF}$ , $R_b = 2.7\text{ k}\Omega$    | tkCY1/2 - 120 |      |      | ns   |
| $\overline{\text{SCKp}}$ low-level width                                   | tkL1   | $4.0\text{ V} \leq \text{EVDD0} \leq 5.5\text{ V}$ , $2.7\text{ V} \leq \text{Vb} \leq 4.0\text{ V}$ ,<br>$C_b = 20\text{ pF}$ , $R_b = 1.4\text{ k}\Omega$ | tkCY1/2 - 7   |      |      | ns   |
|  |        | $2.7\text{ V} \leq \text{EVDD0} < 4.0\text{ V}$ , $2.3\text{ V} \leq \text{Vb} \leq 2.7\text{ V}$ ,<br>$C_b = 20\text{ pF}$ , $R_b = 2.7\text{ k}\Omega$    | tkCY1/2 - 10  |      |      | ns   |
| Slp setup time<br>(to $\overline{\text{SCKp}}\uparrow$ ) Note 2            | tsIK1  | $4.0\text{ V} \leq \text{EVDD0} \leq 5.5\text{ V}$ , $2.7\text{ V} \leq \text{Vb} \leq 4.0\text{ V}$ ,<br>$C_b = 20\text{ pF}$ , $R_b = 1.4\text{ k}\Omega$ | 58            |      |      | ns   |
|  |        | $2.7\text{ V} \leq \text{EVDD0} < 4.0\text{ V}$ , $2.3\text{ V} \leq \text{Vb} \leq 2.7\text{ V}$ ,<br>$C_b = 20\text{ pF}$ , $R_b = 2.7\text{ k}\Omega$    | 121           |      |      | ns   |
| Slp hold time<br>(from $\overline{\text{SCKp}}\uparrow$ ) Note 2           | tkSI1  | $4.0\text{ V} \leq \text{EVDD0} \leq 5.5\text{ V}$ , $2.7\text{ V} \leq \text{Vb} \leq 4.0\text{ V}$ ,<br>$C_b = 20\text{ pF}$ , $R_b = 1.4\text{ k}\Omega$ | 10            |      |      | ns   |
|  |        | $2.7\text{ V} \leq \text{EVDD0} < 4.0\text{ V}$ , $2.3\text{ V} \leq \text{Vb} \leq 2.7\text{ V}$ ,<br>$C_b = 20\text{ pF}$ , $R_b = 2.7\text{ k}\Omega$    | 10            |      |      | ns   |
| Delay time from $\overline{\text{SCKp}}\downarrow$ to SOp<br>output Note 2 | tkSO1  | $4.0\text{ V} \leq \text{EVDD0} \leq 5.5\text{ V}$ , $2.7\text{ V} \leq \text{Vb} \leq 4.0\text{ V}$ ,<br>$C_b = 20\text{ pF}$ , $R_b = 1.4\text{ k}\Omega$ |               |      | 60   | ns   |
|  |        | $2.7\text{ V} \leq \text{EVDD0} < 4.0\text{ V}$ , $2.3\text{ V} \leq \text{Vb} \leq 2.7\text{ V}$ ,<br>$C_b = 20\text{ pF}$ , $R_b = 2.7\text{ k}\Omega$    |               |      | 130  | ns   |
| Slp setup time<br>(to $\overline{\text{SCKp}}\downarrow$ ) Note 3          | tsIK1  | $4.0\text{ V} \leq \text{EVDD0} \leq 5.5\text{ V}$ , $2.7\text{ V} \leq \text{Vb} \leq 4.0\text{ V}$ ,<br>$C_b = 20\text{ pF}$ , $R_b = 1.4\text{ k}\Omega$ | 23            |      |      | ns   |
|  |        | $2.7\text{ V} \leq \text{EVDD0} < 4.0\text{ V}$ , $2.3\text{ V} \leq \text{Vb} \leq 2.7\text{ V}$ ,<br>$C_b = 20\text{ pF}$ , $R_b = 2.7\text{ k}\Omega$    | 33            |      |      | ns   |
| Slp hold time<br>(from $\overline{\text{SCKp}}\downarrow$ ) Note 3         | tkSI1  | $4.0\text{ V} \leq \text{EVDD0} \leq 5.5\text{ V}$ , $2.7\text{ V} \leq \text{Vb} \leq 4.0\text{ V}$ ,<br>$C_b = 20\text{ pF}$ , $R_b = 1.4\text{ k}\Omega$ | 10            |      |      | ns   |
|  |        | $2.7\text{ V} \leq \text{EVDD0} < 4.0\text{ V}$ , $2.3\text{ V} \leq \text{Vb} \leq 2.7\text{ V}$ ,<br>$C_b = 20\text{ pF}$ , $R_b = 2.7\text{ k}\Omega$    | 10            |      |      | ns   |
| Delay time from $\overline{\text{SCKp}}\uparrow$ to SOp<br>output Note 3   | tkSO1  | $4.0\text{ V} \leq \text{EVDD0} \leq 5.5\text{ V}$ , $2.7\text{ V} \leq \text{Vb} \leq 4.0\text{ V}$ ,<br>$C_b = 20\text{ pF}$ , $R_b = 1.4\text{ k}\Omega$ |               |      | 10   | ns   |
|  |        | $2.7\text{ V} \leq \text{EVDD0} < 4.0\text{ V}$ , $2.3\text{ V} \leq \text{Vb} \leq 2.7\text{ V}$ ,<br>$C_b = 20\text{ pF}$ , $R_b = 2.7\text{ k}\Omega$    |               |      | 10   | ns   |

(Notes, Caution and Remarks are listed on the next page.)

**Caution** The pins mounted depend on the product. Refer to 1.3.1 30-pin products to 1.3.10 100-pin products.

**CSI mode connection diagram (during communication at different potential)**



**Note 1.** The value must also be  $2/f_{CLK}$  or more.

**Note 2.** When  $DAP_{mn} = 0$  and  $CKP_{mn} = 0$ , or  $DAP_{mn} = 1$  and  $CKP_{mn} = 1$ .

**Note 3.** When  $DAP_{mn} = 0$  and  $CKP_{mn} = 1$ , or  $DAP_{mn} = 1$  and  $CKP_{mn} = 0$ .

**Caution** Select the TTL input buffer for the Slp pin and the N-ch open drain output ( $EV_{DD0}$  tolerance) mode for the SOp pin and SCKp pin by using port input mode register g (PIMg) and port output mode register g (POMg).

**Remark 1.**  $R_b[\Omega]$ : Communication line ( $\overline{SCKp}$ , SOp) pull-up resistance,  $C_b[F]$ : Communication line ( $\overline{SCKp}$ , SOp) load capacitance,  $V_b[V]$ : Communication line voltage

**Remark 2.** p: CSI number (p = 00, 01, 10, 20, 30, 31), m: Unit number (m = 0, 1), n: Channel number (n = 0 to 3), g: PIM and POM number (g = 0, 1, 3 to 5, 14)

**Remark 3.**  $V_{IH}$  and  $V_{IL}$  below are observation points for the AC characteristics of the serial array unit when communicating at different potentials in CSI mode.

$$4.0\text{ V} \leq EV_{DD0} \leq 5.5\text{ V}, 2.7\text{ V} \leq V_b \leq 4.0\text{ V}: V_{IH} = 2.2\text{ V}, V_{IL} = 0.8\text{ V}$$

$$2.7\text{ V} \leq EV_{DD0} < 4.0\text{ V}, 2.3\text{ V} \leq V_b \leq 2.7\text{ V}: V_{IH} = 2.0\text{ V}, V_{IL} = 0.5\text{ V}$$

**Remark 4.** CSI01 of 48-, 52-, 64-pin products, and CSI11 and CSI21 cannot communicate at different potential. Use other CSI for communication at different potential.

**Remark 5.** This specification is valid only when CSI00's peripheral I/O redirect function is not used.

**Caution** The pins mounted depend on the product. Refer to 1.3.1 30-pin products to 1.3.10 100-pin products.

**(8) Communication at different potential (2.5 V, 3 V) (fmck/4) (CSI mode) (master mode,  $\overline{\text{SCKp}}$ ... internal clock output)**  
**( $T_A = -40$  to  $+85$  °C,  $1.8 \text{ V} \leq \text{EVDD0} = \text{EVDD1} \leq \text{VDD} \leq 5.5 \text{ V}$ ,  $\text{VSS} = \text{EVSS0} = \text{EVSS1} = 0 \text{ V}$ )** (1/2)

| Parameter                                 | Symbol | Conditions  | MIN.          | TYP. | MAX. | Unit |
|---|--------|---|---------------|------|------|------|
| $\overline{\text{SCKp}}$ cycle time       | tkCY1  | $4.0 \text{ V} \leq \text{EVDD0} \leq 5.5 \text{ V}$ , $2.7 \text{ V} \leq \text{Vb} \leq 4.0 \text{ V}$ ,<br>$C_b = 30 \text{ pF}$ , $R_b = 1.4 \text{ k}\Omega$ | 300 Note      |      |      | ns   |
|   |        | $2.7 \text{ V} \leq \text{EVDD0} < 4.0 \text{ V}$ , $2.3 \text{ V} \leq \text{Vb} \leq 2.7 \text{ V}$ ,<br>$C_b = 30 \text{ pF}$ , $R_b = 2.7 \text{ k}\Omega$    | 500 Note      |      |      | ns   |
|   |        | $1.8 \text{ V} \leq \text{EVDD0} < 3.3 \text{ V}$ , $1.6 \text{ V} \leq \text{Vb} \leq 2.0 \text{ V}$ ,<br>$C_b = 30 \text{ pF}$ , $R_b = 5.5 \text{ k}\Omega$    | 1150 Note     |      |      | ns   |
| $\overline{\text{SCKp}}$ high-level width | tkH1   | $4.0 \text{ V} \leq \text{EVDD0} \leq 5.5 \text{ V}$ , $2.7 \text{ V} \leq \text{Vb} \leq 4.0 \text{ V}$ ,<br>$C_b = 30 \text{ pF}$ , $R_b = 1.4 \text{ k}\Omega$ | tkCY1/2 - 75  |      |      | ns   |
|   |        | $2.7 \text{ V} \leq \text{EVDD0} < 4.0 \text{ V}$ , $2.3 \text{ V} \leq \text{Vb} \leq 2.7 \text{ V}$ ,<br>$C_b = 30 \text{ pF}$ , $R_b = 2.7 \text{ k}\Omega$    | tkCY1/2 - 170 |      |      | ns   |
|   |        | $1.8 \text{ V} \leq \text{EVDD0} < 3.3 \text{ V}$ , $1.6 \text{ V} \leq \text{Vb} \leq 2.0 \text{ V}$ ,<br>$C_b = 30 \text{ pF}$ , $R_b = 5.5 \text{ k}\Omega$    | tkCY1/2 - 458 |      |      | ns   |
| $\overline{\text{SCKp}}$ low-level width  | tkL1   | $4.0 \text{ V} \leq \text{EVDD0} \leq 5.5 \text{ V}$ , $2.7 \text{ V} \leq \text{Vb} \leq 4.0 \text{ V}$ ,<br>$C_b = 30 \text{ pF}$ , $R_b = 1.4 \text{ k}\Omega$ | tkCY1/2 - 12  |      |      | ns   |
|   |        | $2.7 \text{ V} \leq \text{EVDD0} < 4.0 \text{ V}$ , $2.3 \text{ V} \leq \text{Vb} \leq 2.7 \text{ V}$ ,<br>$C_b = 30 \text{ pF}$ , $R_b = 2.7 \text{ k}\Omega$    | tkCY1/2 - 18  |      |      | ns   |
|   |        | $1.8 \text{ V} \leq \text{EVDD0} < 3.3 \text{ V}$ , $1.6 \text{ V} \leq \text{Vb} \leq 2.0 \text{ V}$ ,<br>$C_b = 30 \text{ pF}$ , $R_b = 5.5 \text{ k}\Omega$    | tkCY1/2 - 50  |      |      | ns   |

**Note 1.** The value must also be  $4/f_{\text{CLK}}$  or more.

**Caution 1.** Select the TTL input buffer for the SIp pin and the N-ch open drain output (EVDD0 tolerance) mode for the SOp pin and  $\overline{\text{SCKp}}$  pin by using port input mode register g (PIMg) and port output mode register g (POMg).

**Caution 2.** Use it with  $\text{EVDD0} \geq \text{Vb}$ .

**Remark 1.**  $R_b[\Omega]$ : Communication line ( $\overline{\text{SCKp}}$ , SOp) pull-up resistance,  $C_b[\text{F}]$ : Communication line ( $\overline{\text{SCKp}}$ , SOp) load capacitance,  $V_b[\text{V}]$ : Communication line voltage

**Remark 2.** p: CSI number (p = 00, 01, 10, 20, 30, 31), m: Unit number (m = 0, 1), n: Channel number (n = 0 to 3),  
g: PIM and POM number (g = 0, 1, 3 to 5, 14)

**Remark 3.**  $V_{\text{IH}}$  and  $V_{\text{IL}}$  below are observation points for the AC characteristics of the serial array unit when communicating at different potentials in CSI mode.

$4.0 \text{ V} \leq \text{EVDD0} \leq 5.5 \text{ V}$ ,  $2.7 \text{ V} \leq \text{Vb} \leq 4.0 \text{ V}$ :  $V_{\text{IH}} = 2.2 \text{ V}$ ,  $V_{\text{IL}} = 0.8 \text{ V}$

$2.7 \text{ V} \leq \text{EVDD0} < 4.0 \text{ V}$ ,  $2.3 \text{ V} \leq \text{Vb} \leq 2.7 \text{ V}$ :  $V_{\text{IH}} = 2.0 \text{ V}$ ,  $V_{\text{IL}} = 0.5 \text{ V}$

$1.8 \text{ V} \leq \text{EVDD0} < 3.3 \text{ V}$ ,  $1.6 \text{ V} \leq \text{Vb} \leq 2.0 \text{ V}$ :  $V_{\text{IH}} = 1.50 \text{ V}$ ,  $V_{\text{IL}} = 0.32 \text{ V}$

**Remark 4.** 4. CSI01 of 48-, 52-, 64-pin products, and CSI11 and CSI21 cannot communicate at different potential. Use other CSI for communication at different potential.

**Caution** The pins mounted depend on the product. Refer to 1.3.1 30-pin products to 1.3.10 100-pin products.

**(8) Communication at different potential (2.5 V, 3 V) (fmck/4) (CSI mode) (master mode,  $\overline{\text{SCKp}}$ ... internal clock output)**

( $T_A = -40$  to  $+85$  °C,  $1.8 \text{ V} \leq \text{EVDD0} = \text{EVDD1} \leq \text{VDD} \leq 5.5 \text{ V}$ ,  $\text{Vss} = \text{EVss0} = \text{EVss1} = 0 \text{ V}$ )

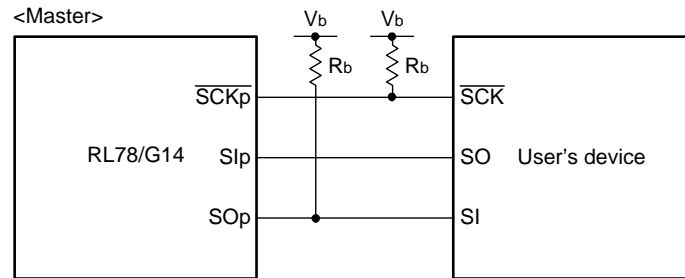
(2/2)

| Parameter  | Symbol | Conditions  | MIN. | TYP. | MAX. | Unit |
|--|--------|---|------|------|------|------|
| Slp setup time<br>(to $\overline{\text{SCKp}}\uparrow$ ) Note 1            | tSIK1  | $4.0 \text{ V} \leq \text{EVDD0} \leq 5.5 \text{ V}$ , $2.7 \text{ V} \leq \text{Vb} \leq 4.0 \text{ V}$ ,<br>$C_b = 30 \text{ pF}$ , $R_b = 1.4 \text{ k}\Omega$ | 81   |      |      | ns   |
|  |        | $2.7 \text{ V} \leq \text{EVDD0} < 4.0 \text{ V}$ , $2.3 \text{ V} \leq \text{Vb} \leq 2.7 \text{ V}$ ,<br>$C_b = 30 \text{ pF}$ , $R_b = 2.7 \text{ k}\Omega$    | 177  |      |      | ns   |
|  |        | $1.8 \text{ V} \leq \text{EVDD0} < 3.3 \text{ V}$ , $1.6 \text{ V} \leq \text{Vb} \leq 2.0 \text{ V}$ ,<br>$C_b = 30 \text{ pF}$ , $R_b = 5.5 \text{ k}\Omega$    | 479  |      |      | ns   |
| Slp hold time<br>(from $\overline{\text{SCKp}}\uparrow$ ) Note 1           | tKSI1  | $4.0 \text{ V} \leq \text{EVDD0} \leq 5.5 \text{ V}$ , $2.7 \text{ V} \leq \text{Vb} \leq 4.0 \text{ V}$ ,<br>$C_b = 30 \text{ pF}$ , $R_b = 1.4 \text{ k}\Omega$ | 19   |      |      | ns   |
|  |        | $2.7 \text{ V} \leq \text{EVDD0} < 4.0 \text{ V}$ , $2.3 \text{ V} \leq \text{Vb} \leq 2.7 \text{ V}$ ,<br>$C_b = 30 \text{ pF}$ , $R_b = 2.7 \text{ k}\Omega$    | 19   |      |      | ns   |
|  |        | $1.8 \text{ V} \leq \text{EVDD0} < 3.3 \text{ V}$ , $1.6 \text{ V} \leq \text{Vb} \leq 2.0 \text{ V}$ ,<br>$C_b = 30 \text{ pF}$ , $R_b = 5.5 \text{ k}\Omega$    | 19   |      |      | ns   |
| Delay time from $\overline{\text{SCKp}}\downarrow$ to SOp<br>output Note 1 | tKSO1  | $4.0 \text{ V} \leq \text{EVDD0} \leq 5.5 \text{ V}$ , $2.7 \text{ V} \leq \text{Vb} \leq 4.0 \text{ V}$ ,<br>$C_b = 30 \text{ pF}$ , $R_b = 1.4 \text{ k}\Omega$ |      |      | 100  | ns   |
|  |        | $2.7 \text{ V} \leq \text{EVDD0} < 4.0 \text{ V}$ , $2.3 \text{ V} \leq \text{Vb} \leq 2.7 \text{ V}$ ,<br>$C_b = 30 \text{ pF}$ , $R_b = 2.7 \text{ k}\Omega$    |      |      | 195  | ns   |
|  |        | $1.8 \text{ V} \leq \text{EVDD0} < 3.3 \text{ V}$ , $1.6 \text{ V} \leq \text{Vb} \leq 2.0 \text{ V}$ ,<br>$C_b = 30 \text{ pF}$ , $R_b = 5.5 \text{ k}\Omega$    |      |      | 483  | ns   |
| Slp setup time<br>(to $\overline{\text{SCKp}}\downarrow$ ) Note 2          | tSIK1  | $4.0 \text{ V} \leq \text{EVDD0} \leq 5.5 \text{ V}$ , $2.7 \text{ V} \leq \text{Vb} \leq 4.0 \text{ V}$ ,<br>$C_b = 30 \text{ pF}$ , $R_b = 1.4 \text{ k}\Omega$ | 44   |      |      | ns   |
|  |        | $2.7 \text{ V} \leq \text{EVDD0} < 4.0 \text{ V}$ , $2.3 \text{ V} \leq \text{Vb} \leq 2.7 \text{ V}$ ,<br>$C_b = 30 \text{ pF}$ , $R_b = 2.7 \text{ k}\Omega$    | 44   |      |      | ns   |
|  |        | $1.8 \text{ V} \leq \text{EVDD0} < 3.3 \text{ V}$ , $1.6 \text{ V} \leq \text{Vb} \leq 2.0 \text{ V}$ ,<br>$C_b = 30 \text{ pF}$ , $R_b = 5.5 \text{ k}\Omega$    | 110  |      |      | ns   |
| Slp hold time<br>(from $\overline{\text{SCKp}}\downarrow$ ) Note 2         | tKSI1  | $4.0 \text{ V} \leq \text{EVDD0} \leq 5.5 \text{ V}$ , $2.7 \text{ V} \leq \text{Vb} \leq 4.0 \text{ V}$ ,<br>$C_b = 30 \text{ pF}$ , $R_b = 1.4 \text{ k}\Omega$ | 19   |      |      | ns   |
|  |        | $2.7 \text{ V} \leq \text{EVDD0} < 4.0 \text{ V}$ , $2.3 \text{ V} \leq \text{Vb} \leq 2.7 \text{ V}$ ,<br>$C_b = 30 \text{ pF}$ , $R_b = 2.7 \text{ k}\Omega$    | 19   |      |      | ns   |
|  |        | $1.8 \text{ V} \leq \text{EVDD0} < 3.3 \text{ V}$ , $1.6 \text{ V} \leq \text{Vb} \leq 2.0 \text{ V}$ ,<br>$C_b = 30 \text{ pF}$ , $R_b = 5.5 \text{ k}\Omega$    | 19   |      |      | ns   |
| Delay time from $\overline{\text{SCKp}}\uparrow$ to SOp<br>output Note 2   | tKSO1  | $4.0 \text{ V} \leq \text{EVDD0} \leq 5.5 \text{ V}$ , $2.7 \text{ V} \leq \text{Vb} \leq 4.0 \text{ V}$ ,<br>$C_b = 30 \text{ pF}$ , $R_b = 1.4 \text{ k}\Omega$ |      |      | 25   | ns   |
|  |        | $2.7 \text{ V} \leq \text{EVDD0} < 4.0 \text{ V}$ , $2.3 \text{ V} \leq \text{Vb} \leq 2.7 \text{ V}$ ,<br>$C_b = 30 \text{ pF}$ , $R_b = 2.7 \text{ k}\Omega$    |      |      | 25   | ns   |
|  |        | $1.8 \text{ V} \leq \text{EVDD0} < 3.3 \text{ V}$ , $1.6 \text{ V} \leq \text{Vb} \leq 2.0 \text{ V}$ ,<br>$C_b = 30 \text{ pF}$ , $R_b = 5.5 \text{ k}\Omega$    |      |      | 25   | ns   |

(Notes, Caution and Remarks are listed on the next page.)

**Caution** The pins mounted depend on the product. Refer to 1.3.1 30-pin products to 1.3.10 100-pin products.

**CSI mode connection diagram (during communication at different potential)**



**Note 1.** When DAPmn = 0 and CKPmn = 0, or DAPmn = 1 and CKPmn = 1.

**Note 2.** When DAPmn = 0 and CKPmn = 1, or DAPmn = 1 and CKPmn = 0.

**Caution 1.** Select the TTL input buffer for the Slp pin and the N-ch open drain output (EVDD0 tolerance) mode for the SOp pin and SCKp pin by using port input mode register g (PIMg) and port output mode register g (POMg).

**Caution 2.** Use it with  $EVDD0 \geq V_b$ .

**Remark 1.**  $R_b[\Omega]$ : Communication line ( $\overline{SCKp}$ , SOp) pull-up resistance,  $C_b[F]$ : Communication line ( $\overline{SCKp}$ , SOp) load capacitance,  $V_b[V]$ : Communication line voltage

**Remark 2.** p: CSI number (p = 00, 01, 10, 20, 30, 31), m: Unit number (m = 0, 1), n: Channel number (n = 0 to 3),  
g: PIM and POM number (g = 0, 1, 3 to 5, 14)

**Remark 3.**  $V_{IH}$  and  $V_{IL}$  below are observation points for the AC characteristics of the serial array unit when communicating at different potentials in CSI mode.

$4.0\text{ V} \leq EVDD0 \leq 5.5\text{ V}$ ,  $2.7\text{ V} \leq V_b \leq 4.0\text{ V}$ :  $V_{IH} = 2.2\text{ V}$ ,  $V_{IL} = 0.8\text{ V}$

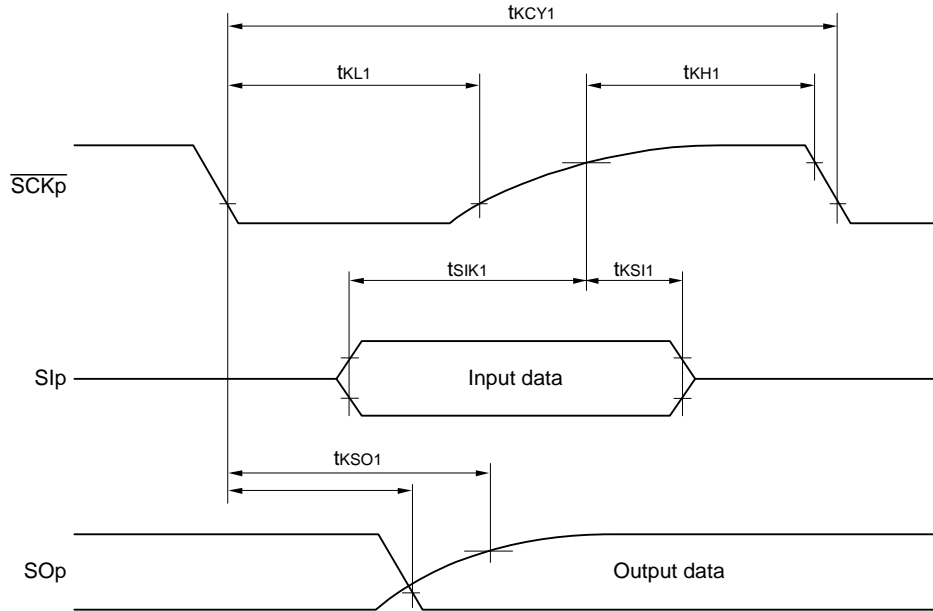
$2.7\text{ V} \leq EVDD0 < 4.0\text{ V}$ ,  $2.3\text{ V} \leq V_b \leq 2.7\text{ V}$ :  $V_{IH} = 2.0\text{ V}$ ,  $V_{IL} = 0.5\text{ V}$

$1.8\text{ V} \leq EVDD0 < 3.3\text{ V}$ ,  $1.6\text{ V} \leq V_b \leq 2.0\text{ V}$ :  $V_{IH} = 1.50\text{ V}$ ,  $V_{IL} = 0.32\text{ V}$

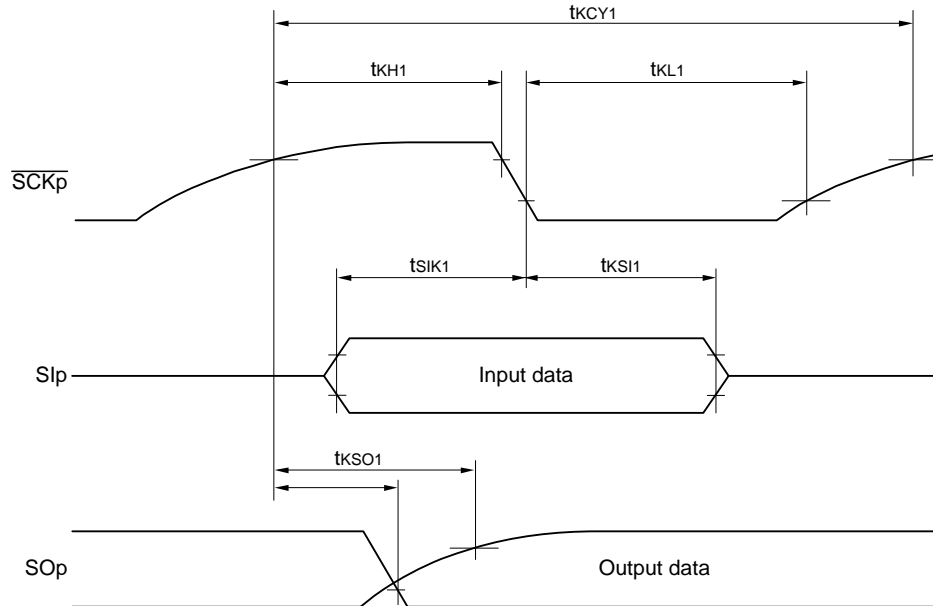
**Remark 4.** CSI01 of 48-, 52-, 64-pin products, and CSI11 and CSI21 cannot communicate at different potential. Use other CSI for communication at different potential.

**Caution** The pins mounted depend on the product. Refer to 1.3.1 30-pin products to 1.3.10 100-pin products.

**CSI mode serial transfer timing (master mode) (during communication at different potential)  
(When DAPmn = 0 and CKPmn = 0, or DAPmn = 1 and CKPmn = 1.)**



**CSI mode serial transfer timing (master mode) (during communication at different potential)  
(When DAPmn = 0 and CKPmn = 1, or DAPmn = 1 and CKPmn = 0.)**



**Caution** Select the TTL input buffer for the  $\text{Slp}$  pin and the N-ch open drain output (EVDD0 tolerance) mode for the  $\text{SOp}$  pin and  $\overline{\text{SCKp}}$  pin by using port input mode register g (PIMg) and port output mode register g (POMg).

**Remark 1.** p: CSI number (p = 00, 01, 10, 20, 30, 31), m: Unit number (m = 0, 1), n: Channel number (n = 0 to 3), g: PIM and POM number (g = 0, 1, 3 to 5, 14)

**Remark 2.** CSI01 of 48-, 52-, 64-pin products, and CSI11 and CSI21 cannot communicate at different potential. Use other CSI for communication at different potential.



**Caution** The pins mounted depend on the product. Refer to 1.3.1 30-pin products to 1.3.10 100-pin products.

**(9) Communication at different potential (2.5 V, 3 V) (CSI mode) (slave mode,  $\overline{\text{SCKp}}$ ... external clock input)**

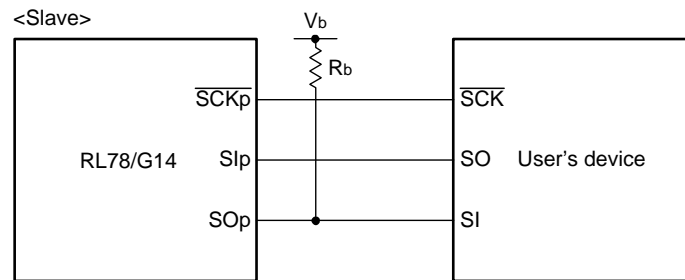
( $T_A = -40$  to  $+85$  °C,  $1.8 \text{ V} \leq \text{EVDD0} = \text{EVDD1} \leq \text{VDD} \leq 5.5 \text{ V}$ ,  $\text{VSS} = \text{EVSS0} = \text{EVSS1} = 0 \text{ V}$ )

| Parameter   | Symbol        | Conditions   | MIN.   | TYP.    | MAX.         | Unit |
|---|---------------|--|--|---------|--------------|------|
| $\overline{\text{SCKp}}$ cycle time Note 1                              | tkCY2         | $4.0 \text{ V} \leq \text{EVDD0} \leq 5.5 \text{ V}$ ,<br>$2.7 \text{ V} \leq \text{Vb} \leq 4.0 \text{ V}$  | $24 \text{ MHz} \leq \text{fmCK}$                  | 14/fmCK |              | ns   |
|   |               |  | $20 \text{ MHz} < \text{fmCK} \leq 24 \text{ MHz}$ | 12/fmCK |              | ns   |
|   |               |  | $8 \text{ MHz} < \text{fmCK} \leq 20 \text{ MHz}$  | 10/fmCK |              | ns   |
|   |               |  | $4 \text{ MHz} < \text{fmCK} \leq 8 \text{ MHz}$   | 8/fmCK  |              | ns   |
|   |               |  | $\text{fmCK} \leq 4 \text{ MHz}$                   | 6/fmCK  |              | ns   |
|   |               | $2.7 \text{ V} \leq \text{EVDD0} < 4.0 \text{ V}$ ,<br>$2.3 \text{ V} \leq \text{Vb} \leq 2.7 \text{ V}$   | $24 \text{ MHz} < \text{fmCK}$                     | 20/fmCK |              | ns   |
|   |               |  | $20 \text{ MHz} < \text{fmCK} \leq 24 \text{ MHz}$ | 16/fmCK |              | ns   |
|   |               |  | $16 \text{ MHz} < \text{fmCK} \leq 20 \text{ MHz}$ | 14/fmCK |              | ns   |
|   |               |  | $8 \text{ MHz} < \text{fmCK} \leq 16 \text{ MHz}$  | 12/fmCK |              | ns   |
|   |               |  | $4 \text{ MHz} < \text{fmCK} \leq 8 \text{ MHz}$   | 8/fmCK  |              | ns   |
|   |               | $1.8 \text{ V} \leq \text{EVDD0} < 3.3 \text{ V}$ ,<br>$1.6 \text{ V} \leq \text{Vb} \leq 2.0 \text{ V}$ Note 2  | $24 \text{ MHz} \leq \text{fmCK}$                  | 48/fmCK |              | ns   |
|   |               |  | $20 \text{ MHz} < \text{fmCK} \leq 24 \text{ MHz}$ | 36/fmCK |              | ns   |
|   |               |  | $16 \text{ MHz} < \text{fmCK} \leq 20 \text{ MHz}$ | 32/fmCK |              | ns   |
|   |               |  | $8 \text{ MHz} < \text{fmCK} \leq 16 \text{ MHz}$  | 26/fmCK |              | ns   |
|   |               |  | $4 \text{ MHz} < \text{fmCK} \leq 8 \text{ MHz}$   | 16/fmCK |              | ns   |
| $\overline{\text{SCKp}}$ high-/low-level width                          | tkH2,<br>tkL2 | $4.0 \text{ V} \leq \text{EVDD0} \leq 5.5 \text{ V}$ , $2.7 \text{ V} \leq \text{Vb} \leq 4.0 \text{ V}$   | tkCY2/2 - 12                                       |         | ns           |      |
|   |               | $2.7 \text{ V} \leq \text{EVDD0} < 4.0 \text{ V}$ , $2.3 \text{ V} \leq \text{Vb} \leq 2.7 \text{ V}$  | tkCY2/2 - 18                                       |         | ns           |      |
|   |               | $1.8 \text{ V} \leq \text{EVDD0} < 3.3 \text{ V}$ , $1.6 \text{ V} \leq \text{Vb} \leq 2.0 \text{ V}$ Note 2   | tkCY2/2 - 50                                       |         | ns           |      |
| Slp setup time (to $\overline{\text{SCKp}}\uparrow$ ) Note 3            | tSIK2         | $2.7 \text{ V} \leq \text{EVDD0} < 5.5 \text{ V}$  | 1/fmCK + 20  |         | ns           |      |
|   |               | $1.8 \text{ V} \leq \text{EVDD0} < 3.3 \text{ V}$  | 1/fmCK + 30  |         | ns           |      |
| Slp hold time (from $\overline{\text{SCKp}}\uparrow$ ) Note 4           | tkSI2         |  | 1/fmCK + 31  |         | ns           |      |
| Delay time from $\overline{\text{SCKp}}\downarrow$ to SOp output Note 5 | tkSO2         | $4.0 \text{ V} \leq \text{EVDD0} \leq 5.5 \text{ V}$ , $2.7 \text{ V} \leq \text{Vb} \leq 4.0 \text{ V}$ ,<br>$C_b = 30 \text{ pF}$ , $R_b = 1.4 \text{ k}\Omega$    | 1/fmCK + 250                                       |         | 2/fmCK + 120 | ns   |
|   |               | $2.7 \text{ V} \leq \text{EVDD0} < 4.0 \text{ V}$ , $2.3 \text{ V} \leq \text{Vb} \leq 2.7 \text{ V}$ ,<br>$C_b = 30 \text{ pF}$ , $R_b = 2.7 \text{ k}\Omega$       |  |         | 2/fmCK + 214 | ns   |
|   |               | $1.8 \text{ V} \leq \text{EVDD0} < 3.3 \text{ V}$ , $1.6 \text{ V} \leq \text{Vb} \leq 2.0 \text{ V}$ Note 2,<br>$C_b = 30 \text{ pF}$ , $R_b = 5.5 \text{ k}\Omega$ |  |         | 2/fmCK + 573 | ns   |

(Notes, Caution and Remarks are listed on the next page.)

**Caution** The pins mounted depend on the product. Refer to 1.3.1 30-pin products to 1.3.10 100-pin products.

**CSI mode connection diagram (during communication at different potential)**



**Note 1.** Transfer rate in the SNOOZE mode: MAX. 1 Mbps

**Note 2.** Use it with  $EV_{DD0} \geq V_b$ .

**Note 3.** When  $DAP_{mn} = 0$  and  $CKP_{mn} = 0$ , or  $DAP_{mn} = 1$  and  $CKP_{mn} = 1$ . The Slp setup time becomes "to  $\overline{SCKp}\downarrow$ " when  $DAP_{mn} = 0$  and  $CKP_{mn} = 1$ , or  $DAP_{mn} = 1$  and  $CKP_{mn} = 0$ .

**Note 4.** When  $DAP_{mn} = 0$  and  $CKP_{mn} = 0$ , or  $DAP_{mn} = 1$  and  $CKP_{mn} = 1$ . The Slp hold time becomes "from  $\overline{SCKp}\downarrow$ " when  $DAP_{mn} = 0$  and  $CKP_{mn} = 1$ , or  $DAP_{mn} = 1$  and  $CKP_{mn} = 0$ .

**Note 5.** When  $DAP_{mn} = 0$  and  $CKP_{mn} = 0$ , or  $DAP_{mn} = 1$  and  $CKP_{mn} = 1$ . The delay time to SOp output becomes "from  $\overline{SCKp}\uparrow$ " when  $DAP_{mn} = 0$  and  $CKP_{mn} = 1$ , or  $DAP_{mn} = 1$  and  $CKP_{mn} = 0$ .

**Caution** Select the TTL input buffer for the Slp pin and  $\overline{SCKp}$  pin and the N-ch open drain output ( $EV_{DD0}$  tolerance) mode for the SOp pin by using port input mode register g (PIMg) and port output mode register g (POMg).

**Remark 1.**  $R_b[\Omega]$ : Communication line (SOp) pull-up resistance,  $C_b[F]$ : Communication line (SOp) load capacitance,  $V_b[V]$ : Communication line voltage

**Remark 2.** p: CSI number (p = 00, 01, 10, 20, 30, 31), m: Unit number (m = 0, 1), n: Channel number (n = 0 to 3), g: PIM and POM number (g = 0, 1, 3 to 5, 14)

**Remark 3.**  $f_{mck}$ : Serial array unit operation clock frequency  
(Operation clock to be set by the CKSmn bit of serial mode register mn (SMRmn).  
m: Unit number, n: Channel number (mn = 00, 02, 10))

**Remark 4.**  $V_{IH}$  and  $V_{IL}$  below are observation points for the AC characteristics of the serial array unit when communicating at different potentials in CSI mode.

$4.0\text{ V} \leq EV_{DD0} \leq 5.5\text{ V}$ ,  $2.7\text{ V} \leq V_b \leq 4.0\text{ V}$ :  $V_{IH} = 2.2\text{ V}$ ,  $V_{IL} = 0.8\text{ V}$

$2.7\text{ V} \leq EV_{DD0} < 4.0\text{ V}$ ,  $2.3\text{ V} \leq V_b \leq 2.7\text{ V}$ :  $V_{IH} = 2.0\text{ V}$ ,  $V_{IL} = 0.5\text{ V}$

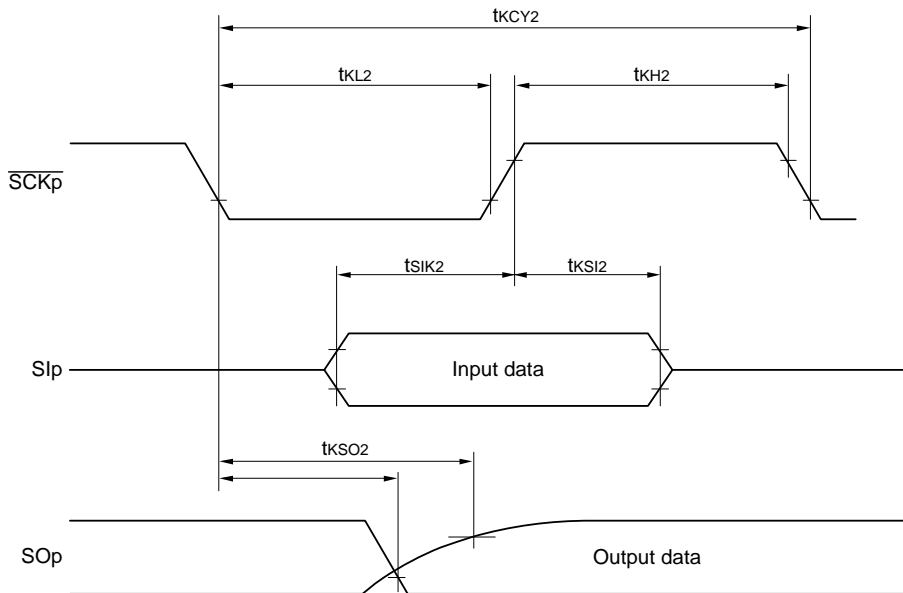
$1.8\text{ V} \leq EV_{DD0} < 3.3\text{ V}$ ,  $1.6\text{ V} \leq V_b \leq 2.0\text{ V}$ :  $V_{IH} = 1.50\text{ V}$ ,  $V_{IL} = 0.32\text{ V}$

**Remark 5.** CSI01 of 48-, 52-, 64-pin products, and CSI11 and CSI21 cannot communicate at different potential. Use other CSI for communication at different potential.

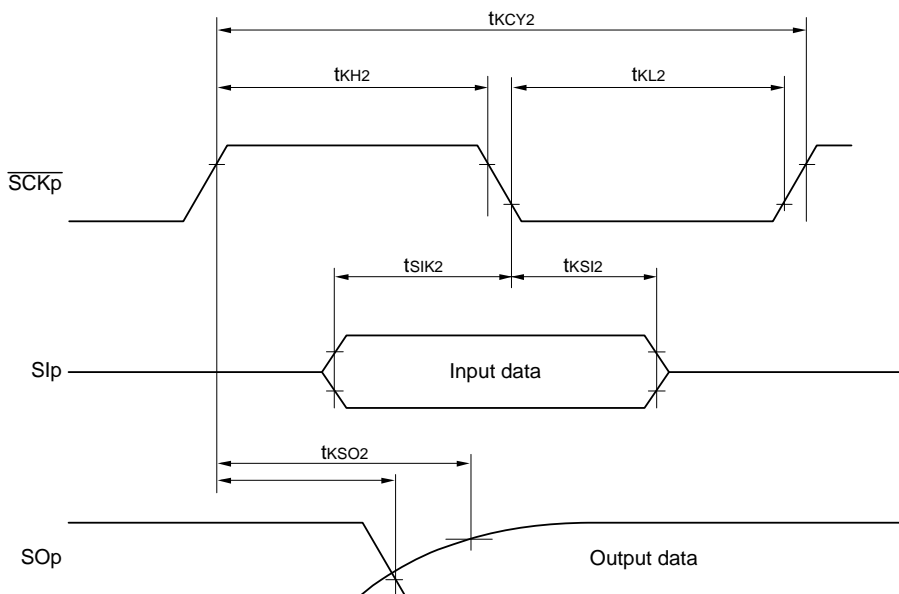
Also, communication at different potential cannot be performed during clock synchronous serial communication with the slave select function.

**Caution** The pins mounted depend on the product. Refer to 1.3.1 30-pin products to 1.3.10 100-pin products.

**CSI mode serial transfer timing (slave mode) (during communication at different potential)  
(When DAPmn = 0 and CKPmn = 0, or DAPmn = 1 and CKPmn = 1.)**



**CSI mode serial transfer timing (slave mode) (during communication at different potential)  
(When DAPmn = 0 and CKPmn = 1, or DAPmn = 1 and CKPmn = 0.)**



**Caution** Select the TTL input buffer for the Slp pin and SCKp pin and the N-ch open drain output (EVDDo tolerance) mode for the SOp pin by using port input mode register g (PIMg) and port output mode register g (POMg).

**Remark 1.** p: CSI number (p = 00, 01, 10, 20, 30, 31), m: Unit number (m = 0, 1), n: Channel number (n = 0 to 3), g: PIM and POM number (g = 0, 1, 3 to 5, 14)

**Remark 2.** CSI01 of 48-, 52-, 64-pin products, and CSI11 and CSI21 cannot communicate at different potential. Use other CSI for communication at different potential.

Also, communication at different potential cannot be performed during clock synchronous serial communication with the slave select function.

**Caution** The pins mounted depend on the product. Refer to 1.3.1 30-pin products to 1.3.10 100-pin products.

**(10) Communication at different potential (2.5 V, 3 V) (simplified I<sup>2</sup>C mode)**

**(TA = -40 to +85 °C, 1.8 V ≤ EVDD0 = EVDD1 ≤ VDD ≤ 5.5 V, VSS = EVSS0 = EVSS1 = 0 V)**

**(1/2)**

| Parameter                 | Symbol            | Conditions   | MIN. | MAX. | Unit |
|---------------------------|-------------------|--|------|------|------|
| SCLr clock frequency      | f <sub>SCL</sub>  | 4.0 V ≤ EVDD0 ≤ 5.5 V,<br>2.7 V ≤ Vb ≤ 4.0 V,<br>Cb = 50 pF, Rb = 2.7 kΩ         |      | 1000 | kHz  |
|                           |                   | 2.7 V ≤ EVDD0 < 4.0 V,<br>2.3 V ≤ Vb < 2.7 V,<br>Cb = 50 pF, Rb = 2.7 kΩ         |      | 1000 | kHz  |
|                           |                   | 4.0 V ≤ EVDD0 ≤ 5.5 V,<br>2.7 V ≤ Vb ≤ 4.0 V,<br>Cb = 100 pF, Rb = 2.8 kΩ        |      | 400  | kHz  |
|                           |                   | 2.7 V ≤ EVDD0 < 4.0 V,<br>2.3 V ≤ Vb < 2.7 V,<br>Cb = 100 pF, Rb = 2.7 kΩ        |      | 400  | kHz  |
|                           |                   | 1.8 V ≤ EVDD0 < 3.3 V,<br>1.6 V ≤ Vb ≤ 2.0 V Note 1,<br>Cb = 100 pF, Rb = 5.5 kΩ |      | 300  | kHz  |
| Hold time when SCLr = "L" | t <sub>LOW</sub>  | 4.0 V ≤ EVDD0 ≤ 5.5 V,<br>2.7 V ≤ Vb ≤ 4.0 V,<br>Cb = 50 pF, Rb = 2.7 kΩ         | 475  |      | ns   |
|                           |                   | 2.7 V ≤ EVDD0 < 4.0 V,<br>2.3 V ≤ Vb < 2.7 V,<br>Cb = 50 pF, Rb = 2.7 kΩ         | 475  |      | ns   |
|                           |                   | 4.0 V ≤ EVDD0 ≤ 5.5 V,<br>2.7 V ≤ Vb ≤ 4.0 V,<br>Cb = 100 pF, Rb = 2.8 kΩ        | 1150 |      | ns   |
|                           |                   | 2.7 V ≤ EVDD0 < 4.0 V,<br>2.3 V ≤ Vb < 2.7 V,<br>Cb = 100 pF, Rb = 2.7 kΩ        | 1150 |      | ns   |
|                           |                   | 1.8 V ≤ EVDD0 < 3.3 V,<br>1.6 V ≤ Vb ≤ 2.0 V Note 1,<br>Cb = 100 pF, Rb = 5.5 kΩ | 1550 |      | ns   |
| Hold time when SCLr = "H" | t <sub>HIGH</sub> | 4.0 V ≤ EVDD0 ≤ 5.5 V,<br>2.7 V ≤ Vb ≤ 4.0 V,<br>Cb = 50 pF, Rb = 2.7 kΩ         | 245  |      | ns   |
|                           |                   | 2.7 V ≤ EVDD0 < 4.0 V,<br>2.3 V ≤ Vb < 2.7 V,<br>Cb = 50 pF, Rb = 2.7 kΩ         | 200  |      | ns   |
|                           |                   | 4.0 V ≤ EVDD0 ≤ 5.5 V,<br>2.7 V ≤ Vb ≤ 4.0 V,<br>Cb = 100 pF, Rb = 2.8 kΩ        | 675  |      | ns   |
|                           |                   | 2.7 V ≤ EVDD0 < 4.0 V,<br>2.3 V ≤ Vb < 2.7 V,<br>Cb = 100 pF, Rb = 2.7 kΩ        | 600  |      | ns   |
|                           |                   | 1.8 V ≤ EVDD0 < 3.3 V,<br>1.6 V ≤ Vb ≤ 2.0 V Note 1,<br>Cb = 100 pF, Rb = 5.5 kΩ | 610  |      | ns   |

(Notes, Caution and Remarks are listed on the next page.)

**Caution** The pins mounted depend on the product. Refer to 1.3.1 30-pin products to 1.3.10 100-pin products.

**(10) Communication at different potential (2.5 V, 3 V) (simplified I<sup>2</sup>C mode)**

**(TA = -40 to +85 °C, 1.8 V ≤ EV<sub>DD0</sub> = EV<sub>DD1</sub> ≤ V<sub>DD</sub> ≤ 5.5 V, V<sub>SS</sub> = EV<sub>SS0</sub> = EV<sub>SS1</sub> = 0 V)**

**(2/2)**

| Parameter                     | Symbol  | Conditions   | MIN.                               | MAX. | Unit |
|-------------------------------|---------|--|------------------------------------|------|------|
| Data setup time (reception)   | tsu:DAT | 4.0 V ≤ EV <sub>DD0</sub> ≤ 5.5 V,<br>2.7 V ≤ V <sub>b</sub> ≤ 4.0 V,<br>C <sub>b</sub> = 50 pF, R <sub>b</sub> = 2.7 kΩ         | 1/f <sub>MCK</sub> + 135<br>Note 2 |      | ns   |
|                               |         | 2.7 V ≤ EV <sub>DD0</sub> < 4.0 V,<br>2.3 V ≤ V <sub>b</sub> < 2.7 V,<br>C <sub>b</sub> = 50 pF, R <sub>b</sub> = 2.7 kΩ         | 1/f <sub>MCK</sub> + 135<br>Note 2 |      | ns   |
|                               |         | 4.0 V ≤ EV <sub>DD0</sub> ≤ 5.5 V,<br>2.7 V ≤ V <sub>b</sub> ≤ 4.0 V,<br>C <sub>b</sub> = 100 pF, R <sub>b</sub> = 2.8 kΩ        | 1/f <sub>MCK</sub> + 190<br>Note 2 |      | ns   |
|                               |         | 2.7 V ≤ EV <sub>DD0</sub> < 4.0 V,<br>2.3 V ≤ V <sub>b</sub> < 2.7 V,<br>C <sub>b</sub> = 100 pF, R <sub>b</sub> = 2.7 kΩ        | 1/f <sub>MCK</sub> + 190<br>Note 2 |      | ns   |
|                               |         | 1.8 V ≤ EV <sub>DD0</sub> < 3.3 V,<br>1.6 V ≤ V <sub>b</sub> ≤ 2.0 V Note 1,<br>C <sub>b</sub> = 100 pF, R <sub>b</sub> = 5.5 kΩ | 1/f <sub>MCK</sub> + 190<br>Note 2 |      | ns   |
| Data hold time (transmission) | thd:DAT | 4.0 V ≤ EV <sub>DD0</sub> ≤ 5.5 V,<br>2.7 V ≤ V <sub>b</sub> ≤ 4.0 V,<br>C <sub>b</sub> = 50 pF, R <sub>b</sub> = 2.7 kΩ         | 0                                  | 305  | ns   |
|                               |         | 2.7 V ≤ EV <sub>DD0</sub> < 4.0 V,<br>2.3 V ≤ V <sub>b</sub> < 2.7 V,<br>C <sub>b</sub> = 50 pF, R <sub>b</sub> = 2.7 kΩ         | 0                                  | 305  | ns   |
|                               |         | 4.0 V ≤ EV <sub>DD0</sub> ≤ 5.5 V,<br>2.7 V ≤ V <sub>b</sub> ≤ 4.0 V,<br>C <sub>b</sub> = 100 pF, R <sub>b</sub> = 2.8 kΩ        | 0                                  | 355  | ns   |
|                               |         | 2.7 V ≤ EV <sub>DD0</sub> < 4.0 V,<br>2.3 V ≤ V <sub>b</sub> < 2.7 V,<br>C <sub>b</sub> = 100 pF, R <sub>b</sub> = 2.7 kΩ        | 0                                  | 355  | ns   |
|                               |         | 1.8 V ≤ EV <sub>DD0</sub> < 3.3 V,<br>1.6 V ≤ V <sub>b</sub> ≤ 2.0 V Note 1,<br>C <sub>b</sub> = 100 pF, R <sub>b</sub> = 5.5 kΩ | 0                                  | 405  | ns   |

**Note 1.** Use it with EV<sub>DD0</sub> ≥ V<sub>b</sub>.

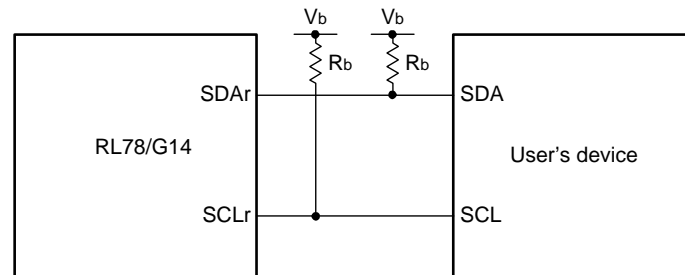
**Note 2.** Set the f<sub>MCK</sub> value to keep the hold time of SCLr = "L" and SCLr = "H".

**Caution** Select the TTL input buffer and the N-ch open drain output (EV<sub>DD0</sub> tolerance) mode for the SDAr pin and the N-ch open drain output (EV<sub>DD0</sub> tolerance) mode for the SCLr pin by using port input mode register g (PIMg) and port output mode register g (POMg).

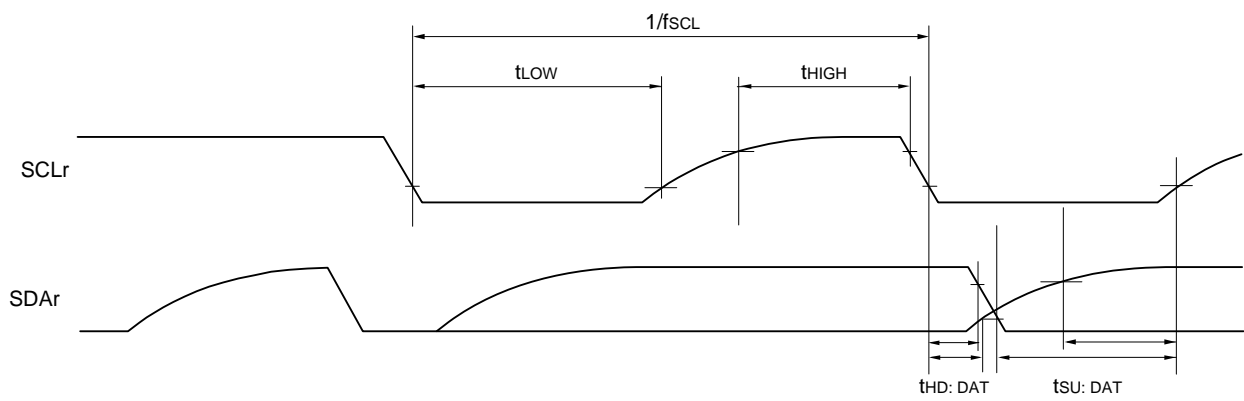
(Remarks are listed on the next page.)

**Caution** The pins mounted depend on the product. Refer to 1.3.1 30-pin products to 1.3.10 100-pin products.

**Simplified I<sup>2</sup>C mode connection diagram (during communication at different potential)**



**Simplified I<sup>2</sup>C mode serial transfer timing (during communication at different potential)**



**Caution** Select the TTL input buffer and the N-ch open drain output (EV<sub>DD0</sub> tolerance) mode for the SDAr pin and the N-ch open drain output (EV<sub>DD0</sub> tolerance) mode for the SCLr pin by using port input mode register g (PIMg) and port output mode register g (POMg).

**Remark 1.**  $R_b[\Omega]$ : Communication line (SDAr, SCLr) pull-up resistance,  $C_b[F]$ : Communication line (SDAr, SCLr) load capacitance,  $V_b[V]$ : Communication line voltage

**Remark 2.** r: IIC number (r = 00, 01, 10, 11, 20, 30, 31), g: PIM, POM number (g = 0, 1, 3 to 5, 14)

**Remark 3.**  $f_{MCK}$ : Serial array unit operation clock frequency  
(Operation clock to be set by the CKSmn bit of serial mode register mn (SMRmn). m: Unit number (m = 0, 1), n: Channel number (n = 0, 3), mn = 00 to 03, 10, 12, 13)

**Remark 4.**  $V_{IH}$  and  $V_{IL}$  below are observation points for the AC characteristics of the serial array unit when communicating at different potentials in simplified I<sup>2</sup>C mode.

$4.0\text{ V} \leq EV_{DD0} \leq 5.5\text{ V}$ ,  $2.7\text{ V} \leq V_b \leq 4.0\text{ V}$ :  $V_{IH} = 2.2\text{ V}$ ,  $V_{IL} = 0.8\text{ V}$

$2.7\text{ V} \leq EV_{DD0} < 4.0\text{ V}$ ,  $2.3\text{ V} \leq V_b \leq 2.7\text{ V}$ :  $V_{IH} = 2.0\text{ V}$ ,  $V_{IL} = 0.5\text{ V}$

$1.8\text{ V} \leq EV_{DD0} < 3.3\text{ V}$ ,  $1.6\text{ V} \leq V_b \leq 2.0\text{ V}$ :  $V_{IH} = 1.50\text{ V}$ ,  $V_{IL} = 0.32\text{ V}$

**Caution** The pins mounted depend on the product. Refer to 1.3.1 30-pin products to 1.3.10 100-pin products.

### 2.5.2 Serial interface IICA

( $T_A = -40$  to  $+85$  °C,  $1.6\text{ V} \leq EV_{DD0} = EV_{DD1} \leq V_{DD} \leq 5.5\text{ V}$ ,  $V_{SS} = EV_{SS0} = EV_{SS1} = 0\text{ V}$ )

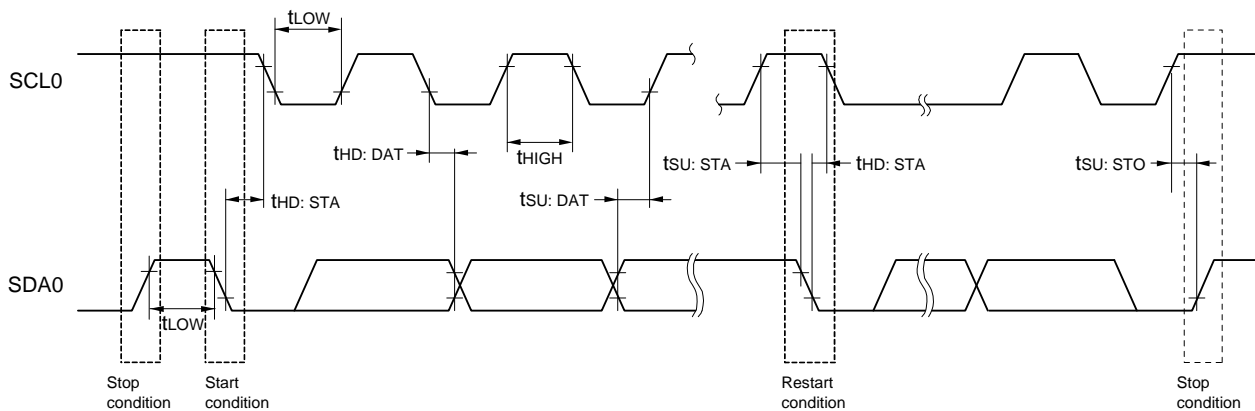
| Parameter   | Symbol              | Conditions                       | Standard Mode                     |      | Fast Mode |      | Fast Mode Plus |      | Unit   |     |     |
|---|---------------------|----------------------------------|-----------------------------------|------|-----------|------|----------------|------|--------|-----|-----|
|   |                     |                                  | MIN.                              | MAX. | MIN.      | MAX. | MIN.           | MAX. |        |     |     |
| SCLA0 clock frequency                                 | fSCL                | Fast mode plus:<br>fCLK ≥ 10 MHz | 2.7 V ≤ EV <sub>DD0</sub> ≤ 5.5 V |      |           |      |                |      | 0 1000 | kHz |     |
|   |                     | Fast mode:<br>fCLK ≥ 3.5 MHz     | 1.8 V ≤ EV <sub>DD0</sub> ≤ 5.5 V |      |           |      | 0              | 400  |        |     | kHz |
|   |                     | Normal mode:<br>fCLK ≥ 1 MHz     | 1.6 V ≤ EV <sub>DD0</sub> ≤ 5.5 V |      | 0         | 100  |                |      |        |     |     |
| Setup time of restart condition <small>Note 1</small> | t <sub>SU:STA</sub> |                                  |                                   | 4.7  |           | 0.6  |                | 0.26 |        | μs  |     |
| Hold time   | t <sub>HD:STA</sub> |                                  |                                   | 4.0  |           | 0.6  |                | 0.26 |        | μs  |     |
| Hold time when SCLA0 = "L"                            | t <sub>LOW</sub>    |                                  |                                   | 4.7  |           | 1.3  |                | 0.5  |        | μs  |     |
| Hold time when SCLA0 = "H"                            | t <sub>HIGH</sub>   |                                  |                                   | 4.0  |           | 0.6  |                | 0.26 |        | μs  |     |
| Data setup time (reception)                           | t <sub>SU:DAT</sub> |                                  |                                   | 250  |           | 100  |                | 50   |        | ns  |     |
| Data hold time (transmission) <small>Note 2</small>   | t <sub>HD:DAT</sub> |                                  |                                   | 0    | 3.45      | 0    | 0.9            | 0    |        | μs  |     |
| Setup time of stop condition                          | t <sub>SU:STO</sub> |                                  |                                   | 4.0  |           | 0.6  |                | 0.26 |        | μs  |     |
| Bus-free time   | t <sub>BUF</sub>    |                                  |                                   | 4.7  |           | 1.3  |                | 0.5  |        | μs  |     |

**Note 1.** The first clock pulse is generated after this period when the start/restart condition is detected.

**Note 2.** The maximum value (MAX.) of t<sub>HD:DAT</sub> is during normal transfer and a wait state is inserted in the  $\overline{ACK}$  (acknowledge) timing.

**Remark** The maximum value of C<sub>b</sub> (communication line capacitance) and the value of R<sub>b</sub> (communication line pull-up resistor) at that time in each mode are as follows.  
 Standard mode: C<sub>b</sub> = 400 pF, R<sub>b</sub> = 2.7 kΩ  
 Fast mode: C<sub>b</sub> = 320 pF, R<sub>b</sub> = 1.1 kΩ  
 Fast mode plus: C<sub>b</sub> = 120 pF, R<sub>b</sub> = 1.1 kΩ

IICA serial transfer timing



**Caution** The pins mounted depend on the product. Refer to 1.3.1 30-pin products to 1.3.10 100-pin products.

### 2.5.3 On-chip debug (UART)

( $T_A = -40$  to  $+85$  °C,  $1.8\text{ V} \leq EV_{DD0} = EV_{DD1} \leq V_{DD} \leq 5.5\text{ V}$ ,  $V_{SS} = EV_{SS0} = EV_{SS1} = 0\text{ V}$ )

| Parameter     | Symbol | Conditions | MIN.    | TYP. | MAX. | Unit |
|---------------|--------|------------|---------|------|------|------|
| Transfer rate |        |            | 115.2 k |      | 1 M  | bps  |

## 2.6 Analog Characteristics

### 2.6.1 A/D converter characteristics

(1) When  $AV_{REF}(+) = AV_{REFP}/ANI0$  ( $ADREFP1 = 0$ ,  $ADREFP0 = 1$ ),  $AV_{REF}(-) = AV_{REFM}/ANI1$  ( $ADREFM = 1$ ), target ANI pin: ANI2 to ANI14 (supply ANI pin to  $V_{DD}$ )

( $T_A = -40$  to  $+85$  °C,  $1.6\text{ V} \leq EV_{DD0} = EV_{DD1} \leq V_{DD} \leq 5.5\text{ V}$ ,  $V_{SS} = EV_{SS0} = EV_{SS1} = 0\text{ V}$ , Reference voltage (+) =  $AV_{REFP}$ , Reference voltage (-) =  $AV_{REFM} = 0\text{ V}$ )

| Parameter                           | Symbol      | Conditions   | MIN.   | TYP.   | MAX.        | Unit       |               |
|-------------------------------------|-------------|--|--|--------|-------------|------------|---------------|
| Resolution                          | RES         |  | 8  |        | 10          | bit        |               |
| Overall error Notes 1, 2            | AINL        | 10-bit resolution<br>$AV_{REFP} = V_{DD}$                                | $1.8\text{ V} \leq V_{DD} \leq 5.5\text{ V}$ |        | 1.2         | $\pm 3.5$  | LSB           |
|                                     |             |  | $1.6\text{ V} \leq V_{DD} \leq 5.5\text{ V}$ |        | 1.2         | $\pm 7.0$  | LSB           |
| Conversion time                     | tCONV       | 10-bit resolution<br>$AV_{REFP} = V_{DD}$                                | $3.6\text{ V} \leq V_{DD} \leq 5.5\text{ V}$ | 2.125  |             | 39         | $\mu\text{s}$ |
|                                     |             |  | $2.7\text{ V} \leq V_{DD} \leq 5.5\text{ V}$ | 3.1875 |             | 39         | $\mu\text{s}$ |
|                                     |             |  | $1.8\text{ V} \leq V_{DD} \leq 5.5\text{ V}$ | 17     |             | 39         | $\mu\text{s}$ |
|                                     |             |  | $1.6\text{ V} \leq V_{DD} \leq 5.5\text{ V}$ | 57     |             | 95         | $\mu\text{s}$ |
| Zero-scale error Notes 1, 2         | EZS         | 10-bit resolution<br>$AV_{REFP} = V_{DD}$                                | $1.8\text{ V} \leq V_{DD} \leq 5.5\text{ V}$ |        |             | $\pm 0.25$ | % FSR         |
|                                     |             |  | $1.6\text{ V} \leq V_{DD} < 5.5\text{ V}$    |        |             | $\pm 0.50$ | % FSR         |
| Full-scale error Notes 1, 2         | EFS         | 10-bit resolution<br>$AV_{REFP} = V_{DD}$                                | $1.8\text{ V} \leq V_{DD} \leq 5.5\text{ V}$ |        |             | $\pm 0.25$ | % FSR         |
|                                     |             |  | $1.6\text{ V} \leq V_{DD} \leq 5.5\text{ V}$ |        |             | $\pm 0.50$ | % FSR         |
| Integral linearity error Note 1     | ILE         | 10-bit resolution<br>$AV_{REFP} = V_{DD}$                                | $1.8\text{ V} \leq V_{DD} \leq 5.5\text{ V}$ |        |             | $\pm 2.5$  | LSB           |
|                                     |             |  | $1.6\text{ V} \leq V_{DD} \leq 5.5\text{ V}$ |        |             | $\pm 5.0$  | LSB           |
| Differential linearity error Note 1 | DLE         | 10-bit resolution<br>$AV_{REFP} = V_{DD}$                                | $1.8\text{ V} \leq V_{DD} \leq 5.5\text{ V}$ |        |             | $\pm 1.5$  | LSB           |
|                                     |             |  | $1.6\text{ V} \leq V_{DD} \leq 5.5\text{ V}$ |        |             | $\pm 2.0$  | LSB           |
| Reference voltage (+)               | $AV_{REFP}$ |  | 1.6  |        | $V_{DD}$    | V          |               |
| Analog input voltage                | $V_{AIN}$   |  | 0  |        | $AV_{REFP}$ | V          |               |
|                                     | $V_{BGR}$   | $2.4\text{ V} \leq V_{DD} < 5.5\text{ V}$ ,<br>HS (high-speed main) mode | 1.38   | 1.45   | 1.5         | V          |               |

**Note 1.** Excludes quantization error ( $\pm 1/2$  LSB).

**Note 2.** This value is indicated as a ratio (% FSR) to the full-scale value.



**Caution** The pins mounted depend on the product. Refer to 1.3.1 30-pin products to 1.3.10 100-pin products.

(2) When  $AV_{REF} (+) = AV_{REFP}/ANI0$  ( $ADREFP1 = 0, ADREFP0 = 1$ ),  $AV_{REF} (-) = AV_{REFM}/ANI1$  ( $ADREFM = 1$ ), target ANI pin: ANI16 to ANI20 (supply ANI pin to  $EV_{DD0}$ )

( $T_A = -40$  to  $+85$  °C,  $1.6\text{ V} \leq EV_{DD0} = EV_{DD1} \leq V_{DD} \leq 5.5\text{ V}$ ,  $V_{SS} = EV_{SS0} = EV_{SS1} = 0\text{ V}$ , Reference voltage (+) =  $AV_{REFP}$ , Reference voltage (-) =  $AV_{REFM} = 0\text{ V}$ )

| Parameter                              | Symbol      | Conditions  |  | MIN.   | TYP. | MAX.                             | Unit          |
|--|-------------|---|--|--------|------|----------------------------------|---------------|
| Resolution                             | RES         |   |  | 8      |      | 10                               | bit           |
| Overall error Notes 1, 2               | AINL        | 10-bit resolution<br>$AV_{REFP} = V_{DD}$                                   | $1.8\text{ V} \leq V_{DD} \leq 5.5\text{ V}$ |        | 1.2  | $\pm 5.0$                        | LSB           |
|  |             |   | $1.6\text{ V} \leq V_{DD} \leq 5.5\text{ V}$ |        | 1.2  | $\pm 8.5$                        | LSB           |
| Conversion time                        | tCONV       | 10-bit resolution<br>$AV_{REFP} = V_{DD}$                                   | $3.6\text{ V} \leq V_{DD} \leq 5.5\text{ V}$ | 2.125  |      | 39                               | $\mu\text{s}$ |
|  |             |   | $2.7\text{ V} \leq V_{DD} \leq 5.5\text{ V}$ | 3.1875 |      | 39                               | $\mu\text{s}$ |
|  |             |   | $1.8\text{ V} \leq V_{DD} \leq 5.5\text{ V}$ | 17     |      | 39                               | $\mu\text{s}$ |
|  |             |   | $1.6\text{ V} \leq V_{DD} \leq 5.5\text{ V}$ | 57     |      | 95                               | $\mu\text{s}$ |
| Zero-scale error Notes 1, 2            | EZS         | 10-bit resolution<br>$AV_{REFP} = V_{DD}$                                   | $1.8\text{ V} \leq V_{DD} \leq 5.5\text{ V}$ |        |      | $\pm 0.35$                       | % FSR         |
|  |             |   | $1.6\text{ V} \leq V_{DD} \leq 5.5\text{ V}$ |        |      | $\pm 0.60$                       | % FSR         |
| Full-scale error Notes 1, 2            | EFS         | 10-bit resolution<br>$AV_{REFP} = V_{DD}$                                   | $1.8\text{ V} \leq V_{DD} \leq 5.5\text{ V}$ |        |      | $\pm 0.35$                       | % FSR         |
|  |             |   | $1.6\text{ V} \leq V_{DD} \leq 5.5\text{ V}$ |        |      | $\pm 0.60$                       | % FSR         |
| Integral linearity error Note 1        | ILE         | 10-bit resolution<br>$AV_{REFP} = V_{DD}$                                   | $1.8\text{ V} \leq V_{DD} \leq 5.5\text{ V}$ |        |      | $\pm 3.5$                        | LSB           |
|  |             |   | $1.6\text{ V} \leq V_{DD} \leq 5.5\text{ V}$ |        |      | $\pm 6.0$                        | LSB           |
| Differential linearity error<br>Note 1 | DLE         | 10-bit resolution<br>$AV_{REFP} = V_{DD}$                                   | $1.8\text{ V} \leq V_{DD} \leq 5.5\text{ V}$ |        |      | $\pm 2.0$                        | LSB           |
|  |             |   | $1.6\text{ V} \leq V_{DD} \leq 5.5\text{ V}$ |        |      | $\pm 2.5$                        | LSB           |
| Reference voltage (+)                  | $AV_{REFP}$ |   |  | 1.6    |      | $V_{DD}$                         | V             |
| Analog input voltage                   | $V_{AIN}$   |   |  | 0      |      | $AV_{REFP}$<br>and<br>$EV_{DD0}$ | V             |
|  | $V_{BGR}$   | $2.4\text{ V} \leq V_{DD} \leq 5.5\text{ V}$ ,<br>HS (high-speed main) mode |  | 1.38   | 1.45 | 1.5                              | V             |

**Note 1.** Excludes quantization error ( $\pm 1/2$  LSB).

**Note 2.** This value is indicated as a ratio (% FSR) to the full-scale value.

**Caution** The pins mounted depend on the product. Refer to 1.3.1 30-pin products to 1.3.10 100-pin products.

(3) When  $AV_{REF}(+) = V_{DD}$  ( $ADREFP1 = 0$ ,  $ADREFP0 = 0$ ),  $AV_{REF}(-) = V_{SS}$  ( $ADREFM = 0$ ), target ANI pin: ANI0 to ANI14, ANI16 to ANI20

( $T_A = -40$  to  $+85$  °C,  $1.6\text{ V} \leq EV_{DD0} = EV_{DD1} \leq V_{DD} \leq 5.5\text{ V}$ ,  $V_{SS} = EV_{SS0} = EV_{SS1} = 0\text{ V}$ , Reference voltage (+) =  $V_{DD}$ , Reference voltage (-) =  $V_{SS}$ )

| Parameter                           | Symbol | Conditions  |  | MIN.   | TYP. | MAX.       | Unit          |
|-------------------------------------|--------|---|--|--------|------|------------|---------------|
| Resolution                          | RES    |   |  | 8      |      | 10         | bit           |
| Overall error Notes 1, 2            | AINL   | 10-bit resolution   | $1.8\text{ V} \leq V_{DD} \leq 5.5\text{ V}$ |        | 1.2  | $\pm 7.0$  | LSB           |
|                                     |        |   | $1.6\text{ V} \leq V_{DD} \leq 5.5\text{ V}$ |        | 1.2  | $\pm 10.5$ | LSB           |
| Conversion time                     | tCONV  | 10-bit resolution   | $3.6\text{ V} \leq V_{DD} \leq 5.5\text{ V}$ | 2.125  |      | 39         | $\mu\text{s}$ |
|                                     |        |   | $2.7\text{ V} \leq V_{DD} \leq 5.5\text{ V}$ | 3.1875 |      | 39         | $\mu\text{s}$ |
|                                     |        |   | $1.8\text{ V} \leq V_{DD} \leq 5.5\text{ V}$ | 17     |      | 39         | $\mu\text{s}$ |
|                                     |        |   | $1.6\text{ V} \leq V_{DD} \leq 5.5\text{ V}$ | 57     |      | 95         | $\mu\text{s}$ |
| Zero-scale error Notes 1, 2         | EZS    | 10-bit resolution   | $1.8\text{ V} \leq V_{DD} \leq 5.5\text{ V}$ |        |      | $\pm 0.60$ | % FSR         |
|                                     |        |   | $1.6\text{ V} \leq V_{DD} \leq 5.5\text{ V}$ |        |      | $\pm 0.85$ | % FSR         |
| Full-scale error Notes 1, 2         | EFS    | 10-bit resolution   | $1.8\text{ V} \leq V_{DD} \leq 5.5\text{ V}$ |        |      | $\pm 0.60$ | % FSR         |
|                                     |        |   | $1.6\text{ V} \leq V_{DD} \leq 5.5\text{ V}$ |        |      | $\pm 0.85$ | % FSR         |
| Integral linearity error Note 1     | ILE    | 10-bit resolution   | $1.8\text{ V} \leq V_{DD} \leq 5.5\text{ V}$ |        |      | $\pm 4.0$  | LSB           |
|                                     |        |   | $1.6\text{ V} \leq V_{DD} \leq 5.5\text{ V}$ |        |      | $\pm 6.5$  | LSB           |
| Differential linearity error Note 1 | DLE    | 10-bit resolution   | $1.8\text{ V} \leq V_{DD} \leq 5.5\text{ V}$ |        |      | $\pm 2.0$  | LSB           |
|                                     |        |   | $1.6\text{ V} \leq V_{DD} \leq 5.5\text{ V}$ |        |      | $\pm 2.5$  | LSB           |
| Analog input voltage                | VAIN   | ANI0 to ANI14   |  | 0      |      | $V_{DD}$   | V             |
|                                     |        | ANI16 to ANI20  |  | 0      |      | $EV_{DD0}$ | V             |
|                                     | VBGR   | $2.4\text{ V} \leq V_{DD} \leq 5.5\text{ V}$ ,<br>HS (high-speed main) mode |  | 1.38   | 1.45 | 1.5        | V             |

**Note 1.** Excludes quantization error ( $\pm 1/2$  LSB).

**Note 2.** This value is indicated as a ratio (% FSR) to the full-scale value.

**Caution** The pins mounted depend on the product. Refer to 1.3.1 30-pin products to 1.3.10 100-pin products.

(4) When  $AV_{REF} (+)$  = Internal reference voltage ( $ADREFP1 = 1$ ,  $ADREFP0 = 0$ ),  $AV_{REF} (-)$  =  $AV_{REFM}/ANI1$  ( $ADREFM = 1$ ), target ANI pin: ANI0 to ANI14, ANI16 to ANI20

( $T_A = -40$  to  $+85$  °C,  $2.4\text{ V} \leq EV_{DD0} = EV_{DD1} \leq V_{DD} \leq 5.5\text{ V}$ ,  $V_{SS} = EV_{SS0} = EV_{SS1} = 0\text{ V}$ , Reference voltage (+) =  $V_{BGR}$ , Reference voltage (-) =  $AV_{REFM} = 0\text{ V}$ , HS (high-speed main) mode)

| Parameter  | Symbol            | Conditions       |  | MIN.     | TYP. | MAX.      | Unit  |
|--|-------------------|------------------|--|----------|------|-----------|-------|
| Resolution   | RES               |                  |  | 8        |      |           | bit   |
| Conversion time                                    | t <sub>CONV</sub> | 8-bit resolution | $2.4\text{ V} \leq V_{DD} \leq 5.5\text{ V}$ | 17       |      | 39        | μs    |
| Zero-scale error <small>Notes 1, 2</small>         | EZS               | 8-bit resolution | $2.4\text{ V} \leq V_{DD} \leq 5.5\text{ V}$ |          |      | ±0.60     | % FSR |
| Integral linearity error <small>Note 1</small>     | ILE               | 8-bit resolution | $2.4\text{ V} \leq V_{DD} \leq 5.5\text{ V}$ |          |      | ±2.0      | LSB   |
| Differential linearity error <small>Note 1</small> | DLE               | 8-bit resolution | $2.4\text{ V} \leq V_{DD} \leq 5.5\text{ V}$ |          |      | ±1.0      | LSB   |
| Reference voltage (+)                              | $V_{BGR}$         |                  |  | 1.38     | 1.45 | 1.5       | V     |
| Reference voltage (-)                              | $AV_{REFM}$       |                  |  | $V_{SS}$ |      |           | V     |
| Analog input voltage                               | $V_{AIN}$         |                  |  | 0        |      | $V_{BGR}$ | V     |

**Note 1.** Excludes quantization error ( $\pm 1/2$  LSB).

**Note 2.** This value is indicated as a ratio (% FSR) to the full-scale value.

**Caution** The pins mounted depend on the product. Refer to 1.3.1 30-pin products to 1.3.10 100-pin products.

## 2.6.2 Temperature sensor characteristics

( $T_A = -40$  to  $+85$  °C,  $2.4\text{ V} \leq EV_{DD0} = EV_{DD1} \leq V_{DD} \leq 5.5\text{ V}$ ,  $V_{SS} = EV_{SS0} = EV_{SS1} = 0\text{ V}$ , HS (high-speed main) mode)

| Parameter                         | Symbol  | Conditions   | MIN. | TYP. | MAX. | Unit |
|-----------------------------------|---------|--|------|------|------|------|
| Temperature sensor output voltage | VTMPS25 | Setting ADS register = 80H, $T_A = +25$ °C         |      | 1.05 |      | V    |
| Reference output voltage          | VCONST  | Setting ADS register = 81H                         | 1.38 | 1.45 | 1.5  | V    |
| Temperature coefficient           | FVTMPS  | Temperature sensor that depends on the temperature |      | -3.6 |      | mV/C |
| Operation stabilization wait time | tAMP    |  |      |      | 5    | μs   |

## 2.6.3 D/A converter characteristics

( $T_A = -40$  to  $+85$  °C,  $1.6\text{ V} \leq EV_{DD0} = EV_{DD1} \leq V_{DD} \leq 5.5\text{ V}$ ,  $V_{SS} = EV_{SS0} = EV_{SS1} = 0\text{ V}$ )

| Parameter     | Symbol | Conditions    |  | MIN. | TYP. | MAX. | Unit |
|---------------|--------|---------------|--|------|------|------|------|
| Resolution    | RES    |               |  |      |      | 8    | bit  |
| Overall error | AINL   | Rload = 4 MΩ  | $1.8\text{ V} \leq V_{DD} \leq 5.5\text{ V}$ |      |      | ±2.5 | LSB  |
|               |        | Rload = 8 MΩ  | $1.8\text{ V} \leq V_{DD} \leq 5.5\text{ V}$ |      |      | ±2.5 | LSB  |
| Settling time | tSET   | Cload = 20 pF | $2.7\text{ V} \leq V_{DD} \leq 5.5\text{ V}$ |      |      | 3    | μs   |
|               |        |               | $1.6\text{ V} \leq V_{DD} < 2.7\text{ V}$    |      |      | 6    | μs   |

## 2.6.4 Comparator

( $T_A = -40$  to  $+85$  °C,  $1.6\text{ V} \leq EV_{DD0} = EV_{DD1} \leq V_{DD} \leq 5.5\text{ V}$ ,  $V_{SS} = EV_{SS0} = EV_{SS1} = 0\text{ V}$ )

| Parameter                                | Symbol | Conditions  |   | MIN. | TYP.          | MAX.             | Unit          |
|--|--------|---|---|------|---------------|------------------|---------------|
| Input voltage range                      | lvref  |   |   | 0    |               | $EV_{DD0} - 1.4$ | V             |
|  | lvcmp  |   |   | -0.3 |               | $EV_{DD0} + 0.3$ | V             |
| Output delay                             | td     | $V_{DD} = 3.0\text{ V}$<br>Input slew rate $> 50\text{ mV}/\mu\text{s}$ | High-speed comparator mode, standard mode |      |               | 1.2              | $\mu\text{s}$ |
|  |        |   | High-speed comparator mode, window mode   |      |               | 2.0              | $\mu\text{s}$ |
|  |        |   | Low-speed comparator mode, standard mode  |      | 3             |                  | $\mu\text{s}$ |
| High-electric-potential judgment voltage | VTW+   | High-speed comparator mode, window mode                                 |   |      | $0.76 V_{DD}$ |                  | V             |
| Low-electric-potential judgment voltage  | VTW-   | High-speed comparator mode, window mode                                 |   |      | $0.24 V_{DD}$ |                  | V             |

## 2.6.5 POR circuit characteristics

( $T_A = -40$  to  $+85$  °C,  $V_{SS} = 0\text{ V}$ )

| Parameter            | Symbol    | Conditions             | MIN. | TYP. | MAX. | Unit          |
|----------------------|-----------|------------------------|------|------|------|---------------|
| Detection voltage    | $V_{POR}$ | Power supply rise time |      | 1.51 | 1.54 | V             |
|                      | $V_{PDR}$ | Power supply fall time |      | 1.50 | 1.53 | V             |
| Minimum pulse width  | $T_{PW}$  |                        | 300  |      |      | $\mu\text{s}$ |
| Detection delay time |           |                        |      |      | 350  | $\mu\text{s}$ |

**Caution** The pins mounted depend on the product. Refer to 1.3.1 30-pin products to 1.3.10 100-pin products.

## 2.6.6 LVD circuit characteristics

( $T_A = -40$  to  $+85$  °C,  $V_{PDR} \leq EV_{DD0} = EV_{DD1} \leq V_{DD} \leq 5.5$  V,  $V_{SS} = EV_{SS0} = EV_{SS1} = 0$  V)

| Parameter            |                        | Symbol | Conditions             | MIN. | TYP. | MAX. | Unit |
|----------------------|------------------------|--------|------------------------|------|------|------|------|
| Detection voltage    | Supply voltage level   | VLVI0  | Power supply rise time | 3.98 | 4.06 | 4.14 | V    |
|                      |                        |        | Power supply fall time | 3.90 | 3.98 | 4.06 | V    |
|                      |                        | VLVI1  | Power supply rise time | 3.68 | 3.75 | 3.82 | V    |
|                      |                        |        | Power supply fall time | 3.60 | 3.67 | 3.74 | V    |
|                      |                        | VLVI2  | Power supply rise time | 3.07 | 3.13 | 3.19 | V    |
|                      |                        |        | Power supply fall time | 3.00 | 3.06 | 3.12 | V    |
|                      |                        | VLVI3  | Power supply rise time | 2.96 | 3.02 | 3.08 | V    |
|                      |                        |        | Power supply fall time | 2.90 | 2.96 | 3.02 | V    |
|                      |                        | VLVI4  | Power supply rise time | 2.86 | 2.92 | 2.97 | V    |
|                      |                        |        | Power supply fall time | 2.80 | 2.86 | 2.91 | V    |
|                      |                        | VLVI5  | Power supply rise time | 2.76 | 2.81 | 2.87 | V    |
|                      |                        |        | Power supply fall time | 2.70 | 2.75 | 2.81 | V    |
|                      |                        | VLVI6  | Power supply rise time | 2.66 | 2.71 | 2.76 | V    |
|                      |                        |        | Power supply fall time | 2.60 | 2.65 | 2.70 | V    |
|                      |                        | VLVI7  | Power supply rise time | 2.56 | 2.61 | 2.66 | V    |
|                      |                        |        | Power supply fall time | 2.50 | 2.55 | 2.60 | V    |
|                      |                        | VLVI8  | Power supply rise time | 2.45 | 2.50 | 2.55 | V    |
|                      |                        |        | Power supply fall time | 2.40 | 2.45 | 2.50 | V    |
|                      |                        | VLVI9  | Power supply rise time | 2.05 | 2.09 | 2.13 | V    |
|                      |                        |        | Power supply fall time | 2.00 | 2.04 | 2.08 | V    |
|                      |                        | VLVI10 | Power supply rise time | 1.94 | 1.98 | 2.02 | V    |
|                      |                        |        | Power supply fall time | 1.90 | 1.94 | 1.98 | V    |
|                      |                        | VLVI11 | Power supply rise time | 1.84 | 1.88 | 1.91 | V    |
|                      |                        |        | Power supply fall time | 1.80 | 1.84 | 1.87 | V    |
| VLVI12               | Power supply rise time | 1.74   | 1.77                   | 1.81 | V    |      |      |
|                      | Power supply fall time | 1.70   | 1.73                   | 1.77 | V    |      |      |
| VLVI13               | Power supply rise time | 1.64   | 1.67                   | 1.70 | V    |      |      |
|                      | Power supply fall time | 1.60   | 1.63                   | 1.66 | V    |      |      |
| Minimum pulse width  | tLW                    |        | 300                    |      |      |      | μs   |
| Detection delay time | tLD                    |        |                        |      |      | 300  | μs   |

**Caution** Set the detection voltage (VLVI) to be within the operating voltage range. The operating voltage range depends on the setting of the user option byte (000C2H/010C2H). The following shows the operating voltage range.

**HS (high-speed main) mode:**  $V_{DD} = 2.7$  to  $5.5$  V@1 MHz to 32 MHz  
 $V_{DD} = 2.4$  to  $5.5$  V@1 MHz to 16 MHz

**LS (low-speed main) mode:**  $V_{DD} = 1.8$  to  $5.5$  V@1 MHz to 8 MHz

**LV (low voltage main) mode:**  $V_{DD} = 1.6$  to  $5.5$  V@1 MHz to 4 MHz

**Remark**  $VLVI(n-1) > VLVI_n$ :  $n = 1$  to  $13$

**Caution** The pins mounted depend on the product. Refer to 1.3.1 30-pin products to 1.3.10 100-pin products.

### LVD Detection Voltage of Interrupt & Reset Mode

( $T_A = -40$  to  $+85$  °C,  $V_{PDR} \leq EV_{DD0} = EV_{DD1} \leq V_{DD} \leq 5.5$  V,  $V_{SS} = EV_{SS0} = EV_{SS1} = 0$  V)

| Parameter                 | Symbol  | Conditions  | MIN.                         | TYP. | MAX. | Unit |   |
|---------------------------|---|---|------------------------------|------|------|------|---|
| Interrupt and reset mode  | VLVI13  | $V_{POC0}, V_{POC1}, V_{POC2} = 0, 0, 0$ , falling reset voltage: 1.6 V | 1.60                         | 1.63 | 1.66 | V    |   |
|                           | VLVI12  | $LVIS0, LVIS1 = 1, 0$<br>(+0.1 V)                                       | Rising release reset voltage | 1.74 | 1.77 | 1.81 | V |
|                           |   |   | Falling interrupt voltage    | 1.70 | 1.73 | 1.77 | V |
|                           | VLVI11  | $LVIS0, LVIS1 = 0, 1$<br>(+0.2 V)                                       | Rising release reset voltage | 1.84 | 1.88 | 1.91 | V |
|                           |   |   | Falling interrupt voltage    | 1.80 | 1.84 | 1.87 | V |
|                           | VLVI4   | $LVIS0, LVIS1 = 0, 0$<br>(+1.2 V)                                       | Rising release reset voltage | 2.86 | 2.92 | 2.97 | V |
|                           |   |   | Falling interrupt voltage    | 2.80 | 2.86 | 2.91 | V |
|                           | VLVI11  | $V_{POC0}, V_{POC1}, V_{POC2} = 0, 0, 1$ , falling reset voltage: 1.8 V | 1.80                         | 1.84 | 1.87 | V    |   |
|                           | VLVI10  | $LVIS0, LVIS1 = 1, 0$<br>(+0.1 V)                                       | Rising release reset voltage | 1.94 | 1.98 | 2.02 | V |
|                           |   |   | Falling interrupt voltage    | 1.90 | 1.94 | 1.98 | V |
|                           | VLVI9   | $LVIS0, LVIS1 = 0, 1$<br>(+0.2 V)                                       | Rising release reset voltage | 2.05 | 2.09 | 2.13 | V |
|                           |   |   | Falling interrupt voltage    | 2.00 | 2.04 | 2.08 | V |
|                           | VLVI2   | $LVIS0, LVIS1 = 0, 0$<br>(+1.2 V)                                       | Rising release reset voltage | 3.07 | 3.13 | 3.19 | V |
|                           |   |   | Falling interrupt voltage    | 3.00 | 3.06 | 3.12 | V |
|                           | VLVI8   | $V_{POC0}, V_{POC1}, V_{POC2} = 0, 1, 0$ , falling reset voltage: 2.4 V | 2.40                         | 2.45 | 2.50 | V    |   |
|                           | VLVI7   | $LVIS0, LVIS1 = 1, 0$<br>(+0.1 V)                                       | Rising release reset voltage | 2.56 | 2.61 | 2.66 | V |
| Falling interrupt voltage |   |   | 2.50                         | 2.55 | 2.60 | V    |   |
| VLVI6                     | $LVIS0, LVIS1 = 0, 1$<br>(+0.2 V)                                       | Rising release reset voltage  | 2.66                         | 2.71 | 2.76 | V    |   |
|                           |   | Falling interrupt voltage   | 2.60                         | 2.65 | 2.70 | V    |   |
| VLVI1                     | $LVIS0, LVIS1 = 0, 0$<br>(+1.2 V)                                       | Rising release reset voltage  | 3.68                         | 3.75 | 3.82 | V    |   |
|                           |   | Falling interrupt voltage   | 3.60                         | 3.67 | 3.74 | V    |   |
| VLVI5                     | $V_{POC0}, V_{POC1}, V_{POC2} = 0, 1, 1$ , falling reset voltage: 2.7 V | 2.70  | 2.75                         | 2.81 | V    |      |   |
| VLVI4                     | $LVIS0, LVIS1 = 1, 0$<br>(+0.1 V)                                       | Rising release reset voltage  | 2.86                         | 2.92 | 2.97 | V    |   |
|                           |   | Falling interrupt voltage   | 2.80                         | 2.86 | 2.91 | V    |   |
| VLVI3                     | $LVIS0, LVIS1 = 0, 1$<br>(+0.2 V)                                       | Rising release reset voltage  | 2.96                         | 3.02 | 3.08 | V    |   |
|                           |   | Falling interrupt voltage   | 2.90                         | 2.96 | 3.02 | V    |   |
| VLVI0                     | $LVIS0, LVIS1 = 0, 0$<br>(+1.2 V)                                       | Rising release reset voltage  | 3.98                         | 4.06 | 4.14 | V    |   |
|                           |   | Falling interrupt voltage   | 3.90                         | 3.98 | 4.06 | V    |   |

**Caution** Set the detection voltage (VLVI) to be within the operating voltage range. The operating voltage range depends on the setting of the user option byte (000C2H/010C2H). The following shows the operating voltage range.

**HS (high-speed main) mode:**  $V_{DD} = 2.7$  to  $5.5$  V@1 MHz to 32 MHz

$V_{DD} = 2.4$  to  $5.5$  V@1 MHz to 16 MHz

**LS (low-speed main) mode:**  $V_{DD} = 1.8$  to  $5.5$  V@1 MHz to 8 MHz

**LV (low voltage main) mode:**  $V_{DD} = 1.6$  to  $5.5$  V@1 MHz to 4 MHz

**Caution** The pins mounted depend on the product. Refer to 1.3.1 30-pin products to 1.3.10 100-pin products.

### 2.7 Power Supply Rise Time

( $T_A = -40$  to  $+85$  °C,  $V_{SS} = EV_{SS0} = EV_{SS1} = 0$  V)

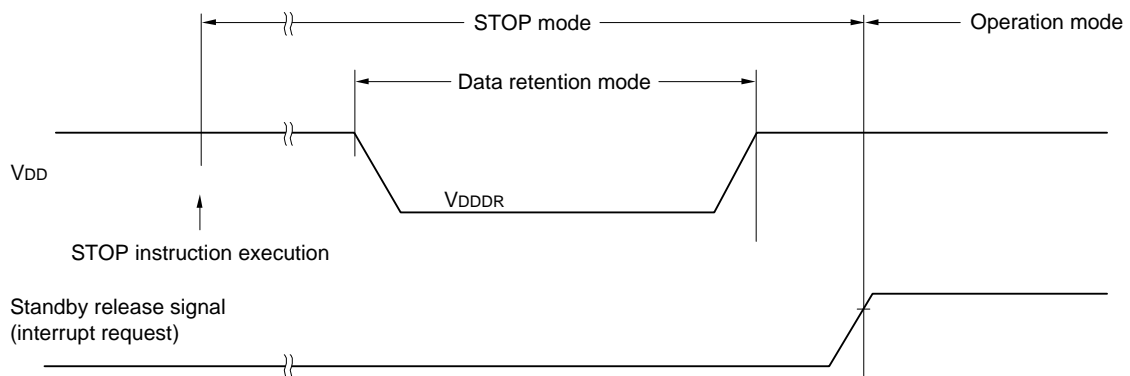
| Parameter            | Conditions       | MIN. | TYP. | MAX. | Unit |
|----------------------|------------------|------|------|------|------|
| VDD rise inclination | T <sub>PUP</sub> |      |      | 53.0 | V/ms |

### 2.8 Data Memory STOP Mode Low Supply Voltage Data Retention Characteristics

( $T_A = -40$  to  $+85$  °C)

| Parameter                     | Symbol            | Conditions | MIN.     | TYP. | MAX. | Unit |
|-------------------------------|-------------------|------------|----------|------|------|------|
| Data retention supply voltage | V <sub>DDDR</sub> |            | 1.5 Note |      | 5.5  | V    |

**Note** The value depends on the POR detection voltage. When the voltage drops, the data is retained before a POR reset is effected, but data is not retained when a POR reset is effected.



### 2.9 Flash Memory Programming Characteristics

( $T_A = -40$  to  $+85$  °C,  $1.8$  V  $\leq$  EV<sub>DD0</sub> = EV<sub>DD1</sub>  $\leq$  V<sub>DD</sub>  $\leq$  5.5 V,  $V_{SS} = EV_{SS0} = EV_{SS1} = 0$  V)

| Parameter                               | Symbol            | Conditions   | MIN.  | TYP.    | MAX.      | Unit  |
|---|-------------------|--|---|---------|-----------|-------|
| CPU/peripheral hardware clock frequency | f <sub>CLK</sub>  | 1.8 V $\leq$ V <sub>DD</sub> $\leq$ 5.5 V  | 1   |         | 32        | MHz   |
| Number of code flash rewrites           | C <sub>enwr</sub> | 1 erase + 1 write after the erase is regarded as 1 rewrite.<br>The retaining years are until next rewrite after the rewrite. | Retained for 20 years (Self/serial programming) <sup>Note</sup> | 1,000   |           | Times |
| Number of data flash rewrites           |                   |  | Retained for 1 years (Self/serial programming) <sup>Note</sup>  |         | 1,000,000 |       |
|   |                   |  | Retained for 5 years (Self/serial programming) <sup>Note</sup>  | 100,000 |           |       |

**Note** When using flash memory programmer and Renesas Electronics self programming library.

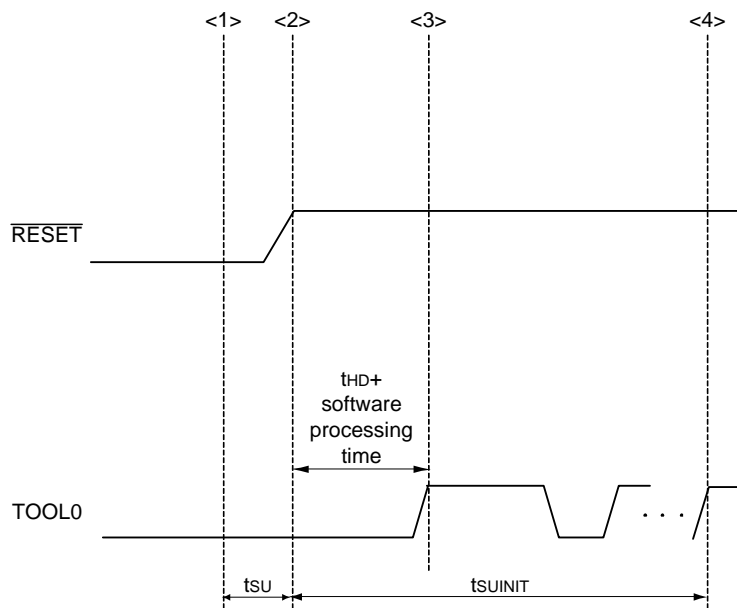
**Remark** When updating data multiple times, use the flash memory as one for updating data.



**Caution** The pins mounted depend on the product. Refer to 1.3.1 30-pin products to 1.3.10 100-pin products.

### 2.10 Timing Specs for Switching Modes

| Parameter  | Symbol  | Conditions  | MIN. | TYP. | MAX. | Unit |
|--|---------|---|------|------|------|------|
| How long from when a pin reset ends until the initial communication settings are specified | tsUINIT | POR and LVD reset must end before the pin reset ends. |      |      | 100  | ms   |
| How long from when the TOOL0 pin is placed at the low level until a pin reset ends         | tsU     | POR and LVD reset must end before the pin reset ends. | 10   |      |      | μs   |
| How long the TOOL0 pin must be kept at the low level after a reset ends                    | tHD     | POR and LVD reset must end before the pin reset ends. | 1    |      |      | ms   |



- <1> The low level is input to the TOOL0 pin.
- <2> The pins reset ends (POR and LVD reset must end before the pin reset ends.).
- <3> The TOOL0 pin is set to the high level.
- <4> Setting of the flash memory programming mode by UART reception and complete the baud rate setting.

**Remark**  $t_{SUINIT}$ : The segment shows that it is necessary to finish specifying the initial communication settings within 100 ms from when the external and internal resets end.  
 $t_{SU}$ : How long from when the TOOL0 pin is placed at the low level until a pin reset ends  
 $t_{HD}$ : How long to keep the TOOL0 pin at the low level from when the external and internal resets end

## REVISION HISTORY

## RL78/G14 Datasheet

| Rev. | Date         | Description  |  |
|------|--------------|--|--|
|      |              | Page   | Summary  |
| 0.01 | Feb 10, 2011 | —  | First Edition issued   |
| 0.02 | May 01, 2011 | 1 to 2<br>3<br>4 to 13<br>14<br>15 to 17<br>23 to 26 | 1.1 Features revised<br>1.2 Ordering Information revised<br>1.3 Pin Configuration (Top View) revised<br>1.4 Pin Identification revised<br>1.5.1 30-pin products to 1.5.3 36-pin products revised<br>1.6 Outline of Functions revised |
| 0.03 | Jul 28, 2011 | 1  | 1.1 Features revised   |
| 1.00 | Feb 21, 2012 | 1 to 40<br>41 to 97                                  | 1. OUTLINE revised<br>2. ELECTRICAL SPECIFICATIONS added   |

SuperFlash is a registered trademark of Silicon Storage Technology, Inc. in several countries including the United States and Japan.

Caution: This product uses SuperFlash® technology licensed from Silicon Storage Technology, Inc.

All trademarks and registered trademarks are the property of their respective owners.

## NOTES FOR CMOS DEVICES

- (1) **VOLTAGE APPLICATION WAVEFORM AT INPUT PIN:** Waveform distortion due to input noise or a reflected wave may cause malfunction. If the input of the CMOS device stays in the area between VIL (MAX) and VIH (MIN) due to noise, etc., the device may malfunction. Take care to prevent chattering noise from entering the device when the input level is fixed, and also in the transition period when the input level passes through the area between VIL (MAX) and VIH (MIN).
- (2) **HANDLING OF UNUSED INPUT PINS:** Unconnected CMOS device inputs can be cause of malfunction. If an input pin is unconnected, it is possible that an internal input level may be generated due to noise, etc., causing malfunction. CMOS devices behave differently than Bipolar or NMOS devices. Input levels of CMOS devices must be fixed high or low by using pull-up or pull-down circuitry. Each unused pin should be connected to VDD or GND via a resistor if there is a possibility that it will be an output pin. All handling related to unused pins must be judged separately for each device and according to related specifications governing the device.
- (3) **PRECAUTION AGAINST ESD:** A strong electric field, when exposed to a MOS device, can cause destruction of the gate oxide and ultimately degrade the device operation. Steps must be taken to stop generation of static electricity as much as possible, and quickly dissipate it when it has occurred. Environmental control must be adequate. When it is dry, a humidifier should be used. It is recommended to avoid using insulators that easily build up static electricity. Semiconductor devices must be stored and transported in an anti-static container, static shielding bag or conductive material. All test and measurement tools including work benches and floors should be grounded. The operator should be grounded using a wrist strap. Semiconductor devices must not be touched with bare hands. Similar precautions need to be taken for PW boards with mounted semiconductor devices.
- (4) **STATUS BEFORE INITIALIZATION:** Power-on does not necessarily define the initial status of a MOS device. Immediately after the power source is turned ON, devices with reset functions have not yet been initialized. Hence, power-on does not guarantee output pin levels, I/O settings or contents of registers. A device is not initialized until the reset signal is received. A reset operation must be executed immediately after power-on for devices with reset functions.
- (5) **POWER ON/OFF SEQUENCE:** In the case of a device that uses different power supplies for the internal operation and external interface, as a rule, switch on the external power supply after switching on the internal power supply. When switching the power supply off, as a rule, switch off the external power supply and then the internal power supply. Use of the reverse power on/off sequences may result in the application of an overvoltage to the internal elements of the device, causing malfunction and degradation of internal elements due to the passage of an abnormal current. The correct power on/off sequence must be judged separately for each device and according to related specifications governing the device.
- (6) **INPUT OF SIGNAL DURING POWER OFF STATE :** Do not input signals or an I/O pull-up power supply while the device is not powered. The current injection that results from input of such a signal or I/O pull-up power supply may cause malfunction and the abnormal current that passes in the device at this time may cause degradation of internal elements. Input of signals during the power off state must be judged separately for each device and according to related specifications governing the device.

## Notice

- All information included in this document is current as of the date this document is issued. Such information, however, is subject to change without any prior notice. Before purchasing or using any Renesas Electronics products listed herein, please confirm the latest product information with a Renesas Electronics sales office. Also, please pay regular and careful attention to additional and different information to be disclosed by Renesas Electronics such as that disclosed through our website.
- Renesas Electronics does not assume any liability for infringement of patents, copyrights, or other intellectual property rights of third parties by or arising from the use of Renesas Electronics products or technical information described in this document. No license, express, implied or otherwise, is granted hereby under any patents, copyrights or other intellectual property rights of Renesas Electronics or others.
- You should not alter, modify, copy, or otherwise misappropriate any Renesas Electronics product, whether in whole or in part.
- Descriptions of circuits, software and other related information in this document are provided only to illustrate the operation of semiconductor products and application examples. You are fully responsible for the incorporation of these circuits, software, and information in the design of your equipment. Renesas Electronics assumes no responsibility for any losses incurred by you or third parties arising from the use of these circuits, software, or information.
- When exporting the products or technology described in this document, you should comply with the applicable export control laws and regulations and follow the procedures required by such laws and regulations. You should not use Renesas Electronics products or the technology described in this document for any purpose relating to military applications or use by the military, including but not limited to the development of weapons of mass destruction. Renesas Electronics products and technology may not be used for or incorporated into any products or systems whose manufacture, use, or sale is prohibited under any applicable domestic or foreign laws or regulations.
- Renesas Electronics has used reasonable care in preparing the information included in this document, but Renesas Electronics does not warrant that such information is error free. Renesas Electronics assumes no liability whatsoever for any damages incurred by you resulting from errors in or omissions from the information included herein.
- Renesas Electronics products are classified according to the following three quality grades: "Standard", "High Quality", and "Specific". The recommended applications for each Renesas Electronics product depends on the product's quality grade, as indicated below. You must check the quality grade of each Renesas Electronics product before using it in a particular application. You may not use any Renesas Electronics product for any application categorized as "Specific" without the prior written consent of Renesas Electronics. Further, you may not use any Renesas Electronics product for any application for which it is not intended without the prior written consent of Renesas Electronics. Renesas Electronics shall not be in any way liable for any damages or losses incurred by you or third parties arising from the use of any Renesas Electronics product for an application categorized as "Specific" or for which the product is not intended where you have failed to obtain the prior written consent of Renesas Electronics. The quality grade of each Renesas Electronics product is "Standard" unless otherwise expressly specified in a Renesas Electronics data sheets or data books, etc.  
"Standard": Computers; office equipment; communications equipment; test and measurement equipment; audio and visual equipment; home electronic appliances; machine tools; personal electronic equipment; and industrial robots.  
"High Quality": Transportation equipment (automobiles, trains, ships, etc.); traffic control systems; anti-disaster systems; anti-crime systems; safety equipment; and medical equipment not specifically designed for life support.  
"Specific": Aircraft; aerospace equipment; submersible repeaters; nuclear reactor control systems; medical equipment or systems for life support (e.g. artificial life support devices or systems), surgical implantations, or healthcare intervention (e.g. excision, etc.), and any other applications or purposes that pose a direct threat to human life.
- You should use the Renesas Electronics products described in this document within the range specified by Renesas Electronics, especially with respect to the maximum rating, operating supply voltage range, movement power voltage range, heat radiation characteristics, installation and other product characteristics. Renesas Electronics shall have no liability for malfunctions or damages arising out of the use of Renesas Electronics products beyond such specified ranges.
- Although Renesas Electronics endeavors to improve the quality and reliability of its products, semiconductor products have specific characteristics such as the occurrence of failure at a certain rate and malfunctions under certain use conditions. Further, Renesas Electronics products are not subject to radiation resistance design. Please be sure to implement safety measures to guard them against the possibility of physical injury, and injury or damage caused by fire in the event of the failure of a Renesas Electronics product, such as safety design for hardware and software including but not limited to redundancy, fire control and malfunction prevention, appropriate treatment for aging degradation or any other appropriate measures. Because the evaluation of microcomputer software alone is very difficult, please evaluate the safety of the final products or system manufactured by you.
- Please contact a Renesas Electronics sales office for details as to environmental matters such as the environmental compatibility of each Renesas Electronics product. Please use Renesas Electronics products in compliance with all applicable laws and regulations that regulate the inclusion or use of controlled substances, including without limitation, the EU RoHS Directive. Renesas Electronics assumes no liability for damages or losses occurring as a result of your noncompliance with applicable laws and regulations.
- This document may not be reproduced or duplicated, in any form, in whole or in part, without prior written consent of Renesas Electronics.
- Please contact a Renesas Electronics sales office if you have any questions regarding the information contained in this document or Renesas Electronics products, or if you have any other inquiries.  
(Note 1) "Renesas Electronics" as used in this document means Renesas Electronics Corporation and also includes its majority-owned subsidiaries.  
(Note 2) "Renesas Electronics product(s)" means any product developed or manufactured by or for Renesas Electronics.



### SALES OFFICES

Renesas Electronics Corporation

<http://www.renesas.com>

Refer to "<http://www.renesas.com/>" for the latest and detailed information.

**Renesas Electronics America Inc.**  
2880 Scott Boulevard Santa Clara, CA 95050-2554, U.S.A.  
Tel: +1-408-588-6000, Fax: +1-408-588-6130

**Renesas Electronics Canada Limited**  
1101 Nicholson Road, Newmarket, Ontario L3Y 9C3, Canada  
Tel: +1-905-898-5441, Fax: +1-905-898-3220

**Renesas Electronics Europe Limited**  
Dukes Meadow, Millboard Road, Bourne End, Buckinghamshire, SL8 5FH, U.K.  
Tel: +44-1628-585-100, Fax: +44-1628-585-900

**Renesas Electronics Europe GmbH**  
Arcadiastrasse 10, 40472 Düsseldorf, Germany  
Tel: +49-211-65030, Fax: +49-211-6503-1327

**Renesas Electronics (China) Co., Ltd.**  
7th Floor, Quantum Plaza, No.27 ZhiChunLu Haidian District, Beijing 100083, P.R.China  
Tel: +86-10-8235-1155, Fax: +86-10-8235-7679

**Renesas Electronics (Shanghai) Co., Ltd.**  
Unit 204, 205, AZIA Center, No.1233 Lujiazui Ring Rd., Pudong District, Shanghai 200120, China  
Tel: +86-21-5877-1818, Fax: +86-21-6887-7858 / -7898

**Renesas Electronics Hong Kong Limited**  
Unit 1601-1613, 16/F., Tower 2, Grand Century Place, 193 Prince Edward Road West, Mongkok, Kowloon, Hong Kong  
Tel: +852-2886-9318, Fax: +852 2886-9022/9044

**Renesas Electronics Taiwan Co., Ltd.**  
13F, No. 363, Fu Shing North Road, Taipei, Taiwan  
Tel: +886-2-8175-9600, Fax: +886 2-8175-9670

**Renesas Electronics Singapore Pte. Ltd.**  
1 HarbourFront Avenue, #06-10, Keppel Bay Tower, Singapore 098632  
Tel: +65-6213-0200, Fax: +65-6278-8001

**Renesas Electronics Malaysia Sdn.Bhd.**  
Unit 906, Block B, Menara Amcorp, Amcorp Trade Centre, No. 18, Jin Persiaran Barat, 46050 Petaling Jaya, Selangor Darul Ehsan, Malaysia  
Tel: +60-3-7955-9390, Fax: +60-3-7955-9510

**Renesas Electronics Korea Co., Ltd.**  
11F., Samik Lavied' or Bldg., 720-2 Yeoksam-Dong, Kangnam-Ku, Seoul 135-080, Korea  
Tel: +82-2-558-3737, Fax: +82-2-558-5141