



## 5 Nm 3.5 and 7.2 Watts 7.2 Watts Part number 80547024



- Mechanical strength: 5 Nm
- Constant speed, dependent on supply frequency
- Direction of rotation controlled by dephasing capacitor
- Permanent magnet rotor
- UL, CSA, VDE approved; comply with IEC standards

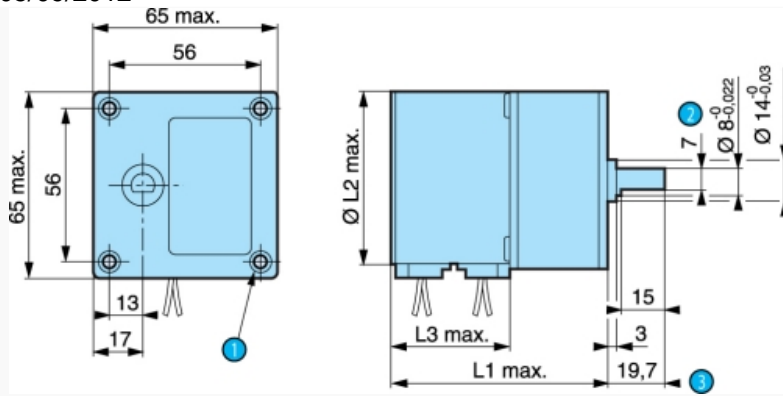
	Type	Type	Voltage / Frequency	Base speed of motor (rpm)	Output speed (rpm)	Ratios
MADE TO ORDER	3.5 Watts	80 527 4	230-240 V / 50 Hz	375	30	12,5
MADE TO ORDER	3.5 Watts	80 527 4	230-240 V / 50 Hz	375	15	25
MADE TO ORDER	3.5 Watts	80 527 4	230-240 V / 50 Hz	375	12	31,25
MADE TO ORDER	3.5 Watts	80 527 4	230-240 V / 50 Hz	375	9	41,66
MADE TO ORDER	3.5 Watts	80 527 4	230-240 V / 50 Hz	375	10	62,5
MADE TO ORDER	3.5 Watts	80 527 4	230-240 V / 50 Hz	375	4,5	83,33
MADE TO ORDER	3.5 Watts	80 527 4	230-240 V / 50 Hz	375	3	125
MADE TO ORDER	3.5 Watts	80 527 4	230-240 V / 50 Hz	375	1,5	250
MADE TO ORDER	3.5 Watts	80 527 4	230-240 V / 50 Hz	375	0,75	500
MADE TO ORDER	3.5 Watts	80 527 4	230-240 V / 50 Hz	375	0,5	750
MADE TO ORDER	3.5 Watts	80 527 4	230-240 V / 50 Hz	375	0,15	2500
80 547 024	7.2 Watts	80 547 0	230-240 V / 50 Hz	250	-	12,5
80 547 015	7.2 Watts	80 547 0	230-240 V / 50 Hz	250	-	25
MADE TO ORDER	7.2 Watts	80 547 0	230-240 V / 50 Hz	250	-	31,25
80 547 016	7.2 Watts	80 547 0	230-240 V / 50 Hz	250	-	41,66
80 547 017	7.2 Watts	80 547 0	230-240 V / 50 Hz	250	-	62,5
80 547 018	7.2 Watts	80 547 0	230-240 V / 50 Hz	250	-	83,33
80 547 019	7.2 Watts	80 547 0	230-240 V / 50 Hz	250	-	125
80 547 020	7.2 Watts	80 547 0	230-240 V / 50 Hz	250	-	250
80 547 021	7.2 Watts	80 547 0	230-240 V / 50 Hz	250	-	500
MADE TO ORDER	7.2 Watts	80 547 0	230-240 V / 50 Hz	250	-	750
MADE TO ORDER	7.2 Watts	80 547 0	230-240 V / 50 Hz	250	-	2500

### Motor

Gearbox	81 037 0
Maximum permitted continuous rated gearbox output torque for 1 million revolutions of gearbox output shaft (Nm)	5
Axial load static (daN)	2
Radial load static (daN)	3
Absorbed power (W)	7,2
Motors output (W)	2,65
Maximum temperature rise (°C)	55
Ambient temperature (°C)	-10 → +70
Weight (g)	860
Wires length mm (approximately)	250
Protection rating	IP40

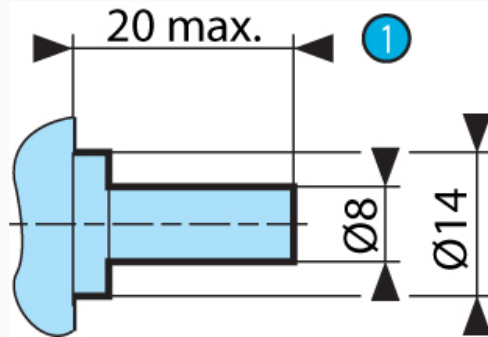
Voltages/Frequencies	µF	V AC	Code
Capacitors for motor 82 540 0			
230-240 V 50 Hz	0,22 ± 5%	480	26 231 909
115 V - 60 Hz	0,56 ± 5%	240	26 231 822
24 V - 50 Hz	22 ± 10%	63	26 231 703
24 V - 60 Hz	15 ± 5%	70	26 231 728

Dimension Diagram : 80 527 4 - 80 547 0



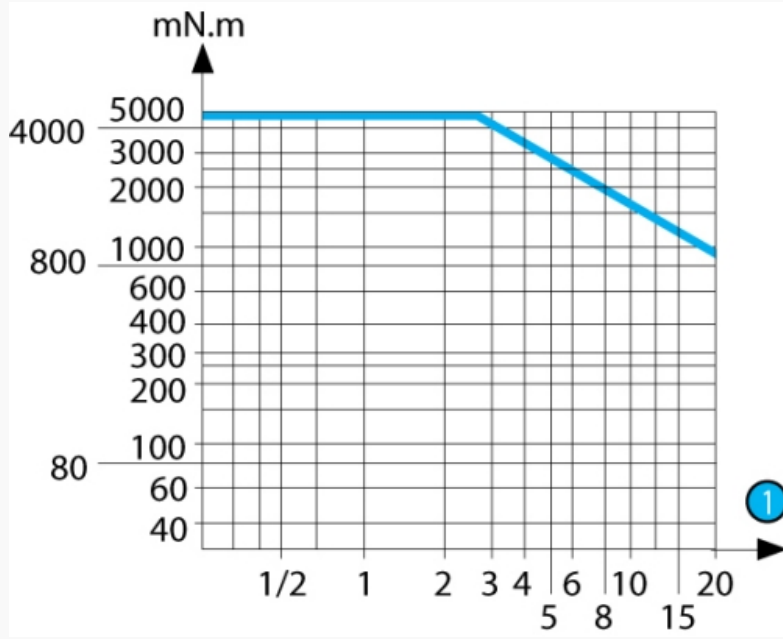
N°	Legend
1	4 holes depth 12M
2	7 across flat
3	(pushed-in shaft )
	80 527 4 L1 = 59.2 mm Ø L2 = 51.3 mm L3 = 25.6 mm
	80 547 0 L1 = 76.6 mm Ø L2 = 65.3 mm L3 = 43 mm

Dimension Diagram : Shaft 79 206 478



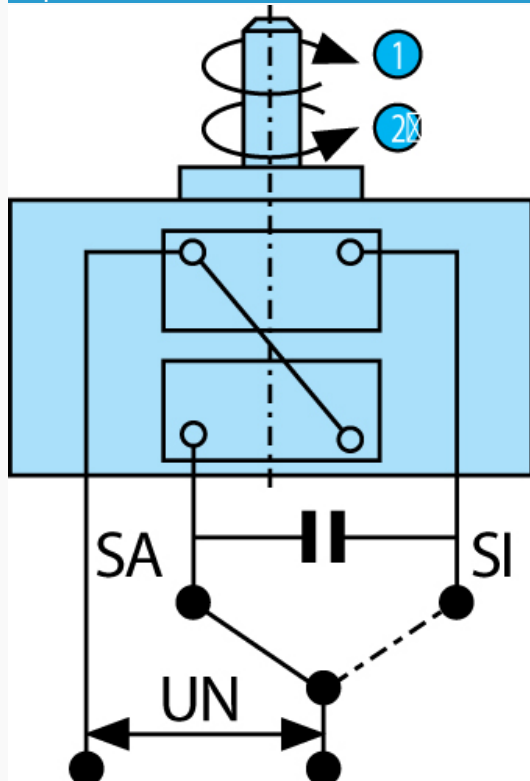
N°	Legend
1	(pushed-in shaft )

Curves : Torque/speed curves 80 547 0



N°	Legend
1	RPM

: In parallelMotors 82 520 4 - 82 540 0



N°	Legend
1	SA: clockwise
2	SI: anti-clockwise